



2023 RETAIL MERCHANDISER

Miami Products & Chemical Co.

Visit our website: www.sanygen.net

DEALER COPY



Miami Products & Chemical Co. 520 Lonoke St. * Dayton, OH 45403
800-776-1313 937-253-8927 Fax 937-253-1559

Miami Products & Chemical Co. dba K-O-K Products (for Columbus, OH area)
K-O-K 740-548-0526 Fax 740-548-0336

SAFETY DATA SHEETS

We have a complete file of material safety data sheets (SDS) available for all Sanygen pool and spa chemicals. Please call our office for copies of any Sanygen SDS sheets that you may need. They will be sent to you promptly, or you can access SDS from our website (www.sanygen.net) and download.

For emergency information concerning this product, call Chemtrec at 1-800-424-9300. When calling Chemtrec please use reference #CCN14419

EMPLOYEE TRAINING

It is your responsibility to properly instruct your employees on the hazards and proper handling of all pool chemicals. MPC will provide training assistance in the proper handling of all Sanygen pool chemicals. Please call us in advance to schedule a time.

CHEMICAL HANDLING

We make every effort to package and label our chemicals to ensure safe handling and usage. We do not, however, accept any responsibility for damage caused by unwise or unsafe handling of our products, or for damage caused by our products when used in any manner other than prescribed on the product label. Extreme care in handling Sanygen products should be exercised. All chemicals must be properly packaged and placed in an upright position for safe transportation!

LIQUID SHOCK

Liquid chlorine requires a "Kiddie Safety Cap" that is vented to allow excess gas to escape. This is just the nature of the product. However, this vented cap will also allow liquid to escape if the bottle is turned on its side. Extreme care should be used when transporting Sanygen liquid chlorine. It is our highest recommendation that single gallons of Sanygen liquid chlorine should be packaged in a plastic tie bag prior to the customer placing in an automobile for transport. NEVER place this product on a car seat or on carpeting as accidental spillage will cause immediate bleaching.

All Liquid Shock cases now contain the following on the top of each carton:

- Keep carton and bottles upright at all times during transportation, handling and storage.
 - Protect vehicle interior from leakage while transporting.
- Tighten caps before unpacking and handling single-gallon bottles.
 - Spillage will cause **BLEACHING** on contact.

SULFURIC ACID AND MURIATIC ACID

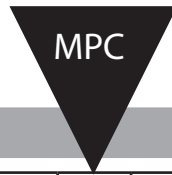
Sulfuric acid and Muriatic acid are also hazardous products and care should be taken when handling these products. Single gallons should be safely packaged in a plastic tie bag prior to the customer placing in an automobile for transport. NEVER place this product on a car seat or carpeting as accidental spillage will cause immediate damage.

Note: If you cannot find the product or part you need in this catalog, contact MPC to see how fast we can get it for you. In Dayton, call 253-8927; if long-distance, call 1-800-776-1313.

MIAMI PRODUCTS & CHEMICAL CO.
Service you can depend on !

Chief Executive Officer	Roger K. Kayser	
President/Chemist	Clint Kayser	
VP of Manufacturing	Chris Kohr	
Manufacturing Technician	Storus Wilson	
Controller	Elizabeth Kelly	
Accounting	Dawn Jenkins	
Sales	Jerod Whitt Robin Murphy Ron Traudt	
Service Technicians	Chris Cunningham	
Pool Repairs/Installations	Ron Traudt	
Customer Service	Kathy Gray Lacey Williams Tia Wilson	<i>K-O-K Products Team:</i> Robin Castle Susan Stiles
Purchasing	Debbie Kayser Mike Prether	
Warehouse	Alex Porumb	<i>K-O-K Products Team:</i> Barbara Kast Milton Wiggins
Dispatcher	Peggy Delaney	

DOSAGE CHART



Remember:

- Never mix chemicals
- Keep out of reach of children
- Follow directions on label

POOL DIMENSION	IN GROUND RECTANGULAR		10x20		12x24	14x28	16x32	17x34	18x36	20x40	22x44	24x48	25x50
	ABOVE GROUND ROUND	12		18	21	24	28						
	ABOVE GROUND OVAL		12x24	15x20	15x30	18x36	20x40						

APPROXIMATE POOL GALLONAGE			2,500	5,000	7,500	10,000	15,000	20,000	25,000	30,000	35,000	40,000	45,000	50,000
Sanygen Liquid Shock 12.5 and Sanygen Industrial Clor (12.5% Sodium Hypochlorite)	Increases chlorine level	Daily dosage	6 ½ oz	13 oz	19½oz	26 oz	39 oz	52 oz	½ gal	78 oz	¾ gal	104 oz	117 oz	1 gal
		Shock treatment	26 oz	52 oz	78 oz	104 oz	156 oz	1 ½ gal	2 gal	2 ½ gal	2 ¾ gal	3 ¼ gal	3 ½ gal	4 gal
		Algae treatment	52 oz	104 oz	156 oz	1½ gal	2 ½ gal	3 ¼ gal	4 gal	4 ¾ gal	5 ½ gal	6 ½ gal	7 ¼ gal	8 gal
Sanygen Dry Chlorine Concentrate (Dichloro-S-Triazine-Trione)	Increases chlorine level	Daily dosage	¾ oz	1 ¼ oz	1 ½ oz	2 ½ oz	3 ¾ oz	5 oz	6 ¼ oz	7 ½ oz	8 ¾ oz	10 oz	11¼ oz	12½ oz
Sanygen Conditioner (S-Triazine-Trione)	Raises conditioner level	10 ppm	3.2 oz	6.3 oz	9.6 oz	12.5 oz	18.9 oz	1.6 lb	2 lb	2.4 lb	2.8 lb	3.2 lb	3.6 lb	4 lb
		50 ppm	1 lb	2 lb	3 lb	3.9 lb	5.9 lb	7.8 lb	9.8 lb	11.7 lb	13.7 lb	15.6 lb	17.6 lb	19.6 lb
Sanygen Concentrate Algaecide	Helps prevent algae growth	Initial dosage	7 oz	14 oz	21 oz	28 oz	42 oz	56 oz	70 oz	84 oz	98 oz	112 oz	1 gal	1.1 gal
		Weekly dosage	1.5 oz	3 oz	4.5 oz	6 oz	9 oz	12 oz	15 oz	18 oz	21 oz	24 oz	27 oz	30 oz
Cuprogen Algaecide NEW FORMULA	Helps prevent algae growth	Initial dosage	1 oz	2 oz	3 oz	4 oz	6 oz	8 oz	10 oz	12 oz	14 oz	16 oz	18 oz	20 oz
		Bi-weekly dosage	½ oz	1 oz	1 ½ oz	2 oz	3 oz	4 oz	5 oz	6 oz	7 oz	8 oz	9 oz	10 oz
3 in 1 Algaecide	Helps prevent algae growth	Initial dosage	6.4 oz	12.8 oz	19.2 oz	25.6 oz	38.4 oz	51.2 oz	64 oz	76.8 oz	89.6 oz	102.4 oz	115.2 oz	1 gal
		Weekly dosage	1.6 oz	3.2 oz	4.8 oz	6.4 oz	9.6 oz	12.8 oz	16 oz	19.2 oz	22.4 oz	25.6 oz	28.8 oz	1 qt
Sanygen pH Down (Sulfuric Acid) (38% Sulfuric Acid)	Lowers pH	From 7.7 - 7.9*	2 oz	4 oz	6 oz	8 oz	12 oz	16 oz	20 oz	24 oz	28 oz	32 oz	36 oz	40 oz
		From 8.0 - 8.2*	3 oz	6 oz	10 oz	12 oz	20 oz	24 oz	32 oz	40 oz	45 oz	52 oz	58 oz	64 oz
		Amount per drop reagent #5	2.3 oz	4.6 oz	6.9 oz	9.2 oz	13.8 oz	18.4 oz	23 oz	27.6 oz	32.2 oz	36.8 oz	41.4 oz	46 oz
Sanygen pH Down (Dry Acid) (Sodium Bisulfate)	Lowers pH	From 7.7 - 7.9*	3 oz	6 oz	9 oz	12 oz	18 oz	1 ½ lb	1 ¾ lb	2 ¼ lb	2 ½ lb	3 lb	3 ½ lb	3 ¾ lb
		From 8.0 - 8.2*	5 oz	10 oz	15 oz	20 oz	30 oz	2 ½ lb	3 lb	3 ¾ lb	4 ½ lb	5 lb	5 ½ lb	6 ¼ lb
		Amount per drop reagent #5	3.1 oz	6.2 oz	9.3 oz	12.3 oz	1.16 lb.	1.5 lb	1.94 lb	2.33 lb	2.71 lb	3.1 lb	3.3 lb	3.88 lb
Sanygen pH Up (Soda Ash) (Sodium Carbonate)	Raises pH	From 7.1 - 7.3*	2 oz	4 oz	6 oz	8 oz	12 oz	1 lb	1 ¼ lb	1 ½ lb	1 ¾ lb	2 lb	2 ¼ lb	2 ½ lb
		From 6.8 - 7.0*	3 oz	6 oz	9 oz	12 oz	18 oz	1 ½ lb	1 ¾ lb	2 ¼ lb	2 ¾ lb	3 lb	3 ¼ lb	3 ¾ lb
		Amount per drop reagent #6	1.3 oz	2.6 oz	3.9 oz	5.1 oz	7.8 oz	10.3 oz	12.9 oz	15.3 oz	1.1 lb	1.28 lb	1.46 lb	1.6 lb
Sanygen Alkalinity Plus (Sodium Bicarbonate)	Raises total alkalinity	20 ppm	11.2 oz.	1.4 lb	2.1 lb	2.8 lb	4.2 lb	5.6 lb	7 lb	8.4 lb	10.5 lb	11.2 lb	12.6 lb	14 lb
		40 ppm	1.4 lb	2.8 lb	4.2 lb	5.6 lb	8.4 lb	11.2 lb	14 lb	16.8 lb	21 lb	22.4 lb	25.2 lb	28 lb
		60 ppm	2.1 lb	4.2 lb	6.3 lb	8.4 lb	12.6 lb	16.8 lb	21 lb	25.2 lb	31.5 lb	33.6 lb	37.8 lb	42 lb
		80 ppm	2.8 lb	5.6 lb	8.4 lb	11.2 lb	16.8 lb	22.4 lb	28 lb	33.6 lb	42 lb	44.8 lb	51.4 lb	56 lb
		100 ppm	3.5 lb	7 lb	10.5 lb	14 lb	21 lb	28 lb	35 lb	42 lb	52.5 lb	56 lb	63 lb	70 lb
Sanygen Hardness Plus (Calcium Chloride)	Raises total hardness	50 ppm	1 ¼ lb	2 ½ lb	3 ¾ lb	5 lb	7 ½ lb	10 lb	12 ½ lb	15 lb	17 ½ lb	20 lb	22 ½ lb	25 lb
		100 ppm	2 ½ lb	5 lb	7 ½ lb	10 lb	15 lb	20 lb	25 lb	30 lb	35 lb	40 lb	45 lb	50 lb
Sanygen Suspend (Sequestrant)	Helps prevent iron & mineral stains	Initial dosage	3.75 oz	7.5 oz	11.25 oz	15 oz	22.5 oz	30 oz	37.5 oz	45 oz	52.5 oz	60 oz	67.5 oz	75 oz
		Weekly dosage	3.75 oz	7.5 oz	11.25 oz	15 oz	22.5 oz	30 oz	37.5 oz	45 oz	52.5 oz	60 oz	67.5 oz	75 oz
Sanygen Crystal Clear Clarifier	Helps clear cloudy water	As needed	1 oz	2 oz	3 oz	4 oz	6 oz	8 oz	10 oz	12 oz	14 oz	16 oz	18 oz	20 oz
Sanygen Chlorine Neutralizer (Sodium Thiosulfate)	Lowers chlorine level	To neutralize 10 ppm chlorine	3.4 oz	6.8 oz	10.2 oz	13.6 oz	1.28 lb	1.7 lb	2.1 lb	2.55 lb	3 lb	3.4 lb	3.84 lb	4.25 lb

Please note that all dosages are approximate. Dosage requirements may be effected by the weather and/or bather load. A suitable test kit should be used to verify dosages.

Liquid Measurement:

- 8 oz. = 1 cup
- 16 oz. = 1 pint (pt)
- 32 oz. = 1 quart (qt)

Dry Measurement:

- 16 oz. = 1 pound (lb)

- 64 oz. = 2 quarts = ½ gallon (gal)
- 128 oz. = 4 quarts = 1 gallon

Index

AG pool accessories	39-40	Leak detector	35
Acid	8, 34	Light niches	33
Algaecide	10	Lights, underwater	33
Anchor sockets	41	Liners, in-ground	42
Automatic pool cleaner.....	20	Main drains	32
Backwash hose	28	Motors replacement	23, 62
Ball valves	27	Multiport valves	25-27
Bromine	9	Paint	36-37
Brushes	17, 34	Painting equipment	38
Bulbs.....	33, 48-49	Parts	47-95
Cartridge filters	24	Plugs, winterizing	45
Cartridges, replacement	24	Poles	16, 21, 40
Caulking	35	Pressure gauge	27
Chemical feeders	12-13	Pumps	23
Chemicals, pool	8-11	PVC flexible pipe	29, 44
Chlorinators	12-13	Reagents	14-15
Chlorine	8	Ring bouy	21
Clamps	28	Robotic Cleaner	20
Cleaning equipment	16-20	Rope	21
Conditioner	9	Rope anchors	21
Coping-AG	40	Rope clamps	21
Covers, safety.....	46	Rubber bumpers	41
Deck accessories	41	Safety covers	46
DE scoop	24-25	Safety equipment	21-22
Diatomaceous earth	24	Safety pole hook	21
DE filters	24-25	Sand	26
Drains	32	Sand filters	26, 39
Ductape	38	Sanygen products	8-11
Escutcheons	41	Sch. 40 PVC fitting	29-30
Filter accessories	27-28	Signs	22
Filter cleaner.	10-25	Skimmer extension collar	31
Fittings, pipe	29-30	Skimmers	31, 39
Fittings, pool	31-32	Skimmer weirs	31, 56
Fixture housings	33	Skim vac	17
Flexible PVC	29, 44	Soda ash	9
Flow meter	28	Step,ladder.....	41,75,95
Frames & Covers	32	Suction Outlet	32
Frames & Grates	32	Tablet feeders	12
Gravel	26	Teflon tape	30
Handrails	41	Telescopic poles	16, 40
Heaters	43	Test kits	14-15
Hook up hose	18, 40	Thermometers	14, 40
Hydrostatic relief valves	32	Unions	28
Inlet fittings	31	Vacuum heads	19, 39
Junction box	33	Vacuum hose	18, 40
Ladder	41	Valves	25-27
Ladder step.....	41, 75, 95	Vinyl repair kits	38
Leaf eater	19	Weir.....	31,56
Leaf skimmers	16	Winterizing materials	45-46

Chemicals	8 - 11
Chemical Feeders	12 - 13
Test Kits	14 - 15
Cleaning Equipment	16 - 20
Safety Equipment	21 - 22
Pumps & Motors	23
Filters	24 - 26
Filter Accessories	27 - 28
Fittings	29 - 30
Pool Fittings	31 - 32
Pool Lights	33
Paint & Repair Material	34 - 38
AG Pools Accessories	39 - 40
Deck Accessories	41
In-Ground Pool Liners	42
Heating Systems	43
Spa Accessories	44
Winterizing Supplies	45 - 46
Parts Index Page	47
Parts	48 - 95

(by vendor in alphabetical order)

POLICIES

OFFICE HOURS

Dayton

Monday-Friday: 8:00 a.m. - 4:30 p.m.

Columbus - KOK Products

Monday-Friday: 8:00 a.m. - 4:30 p.m.

PRICE CHANGES

We promise to make every effort to provide you with the best product for the price. Though every effort will be made to advise you of price changes, all prices are subject to change without notice.

TERMS AND CREDIT POLICY

Accounts in good standing are offered terms of NET 30 DAYS. When any part of an account remains UNPAID over 60 days, credit will be temporarily suspended and additional product WILL NOT BE SHIPPED. Your salesman will work with you to establish a manageable credit limit.

Attorney's fees and costs of collection. In the event Purchaser fails to pay when due any amounts to Seller under this contract, Purchaser agrees to pay Seller's reasonable attorney's fees and costs of collection incurred in any legal proceeding to collect amounts due hereunder.

VISA, Master Card and Discover are accepted on all orders. Credit Card payments will incur a 2.5% processing fee.



MINIMUM BILLING CHARGE

A \$2.00 charge will be assessed for orders totaling less than \$10.00.

SPECIAL ORDERS

A nonrefundable deposit of 50% of the order value is required on all special orders. Special order products will not be considered for return.

DEPOSITS

40 x 48 4 way pallet	\$10.00
40 X 52 pallet	\$10.00

DELIVERY BY UNITED PARCEL SERVICE

For all orders sent by UPS, you will be billed for the UPS charges plus a handling charge of 50¢/package. We will not ship any hazardous material by UPS.

SHIPMENT DAMAGE CLAIMS

All damage claims must be made against the carrier. Please take time to inspect your goods when you receive them and note on the receiving slip any damaged merchandise – this is your only insurance for merchandise damaged in shipment. Please also note that UPS will not pay for damage claims for spilled liquids, including paint. Furthermore, you may be responsible for damage caused to other packages by spilled liquids sent to you. We will send liquids by UPS only at your insistence; and though we will package all liquids with the utmost of care, we will not accept responsibility for damage or losses caused by spilled liquids.

RETURNED GOODS

All returned merchandise is subject to our written approval and must be accompanied by a "RETURN MATERIAL AUTHORIZATION" form obtained from our office. A "RMA" form will be completed by our office staff and issued once the following information is provided:

1. Date of purchase **OR** MPC invoice number;
2. Item number and description;
3. Serial number, if applicable; and
4. Specific reason for return.

(Note: Defective is not considered as a specific reason.)

Our drivers are authorized to pick up only items for which they have an "RMA" form. The driver/MPC representative will sign the customer copy and leave as a receipt. The customer will sign the copy that is returned with the merchandise.

MPC will make every effort to inspect and offer disposition to RMAs by the end of the next business day. We will notify you should any problems arise.

Warranty Repairs: Warranty repairs will be handled in accordance with the manufacturer's warranty. Miami Products will issue credit for items returned in accordance with the manufacturer's warranty, provided the items were purchased from Miami Products.

On items without warranties, Miami Products will consider all reasonable requests for credit of items with obvious manufacturing defects, provided, of course, the items were purchased from Miami Products.

MPC will consider requests to take back products that are in original condition and resalable. Items that are being returned to stock are subject to a 20% handling charge.

Special ordered items and MPC chemicals WILL NOT be accepted for return.

DEALER DELIVERY

Miami Products offers a system of weekly SCHEDULED deliveries of SANYGEN POOL CHEMICALS and other pool equipment and supplies on our own fleet of company owned trucks. Our drivers have the ability to unload the freight and carry it into your business for you. This weekly scheduled delivery is pre-determined by your geographic area and your salesperson will work with you to get you placed on this schedule. *Scheduled deliveries require a minimum order of \$1,500.00 per delivery, otherwise an additional \$75.00 freight charge will apply.*

We will make every effort to accommodate OFF-ROUTE deliveries when the need arises. Please feel free to call us with your special needs.

FOR 2023 ALL MPC TRUCK DELIVERIES will have a \$40.00 per delivery truck charge added to the invoice.



COMING SOON
The NEW Miami Products &
Chemical Co.
WEBSITE

The new www.Sanygen.net is currently under development.

At Sanygen.net you have access to all our product information including SANYGEN chemicals, pool/spa products and equipment and parts. Not only that, MPC's website will have many other features such as: (SDS) safety data sheets, water analysis sheets, dosage chart, company information and FAQ's.

Please call our office for these features and we will be glad to assist you while we develop our new website.

For pricing information a user name and password will be required for the new website. Contact Kathy Gray at (800) 776-1313 to obtain your log-in information.

If you need help with pricing, please call Kathy Gray at (800) 776-1313 and she can help you.

We will notify every customer when we get our new format back on-line.



SANYGEN LIQUID SHOCK 12.5

Not all chlorines are the same! Sanygen Liquid Shock contains a 12.5% concentration of chlorine which provides efficiency while offering greater stability. Higher concentrations of liquid chlorines break down much faster which results in reduced levels of effectiveness and shorter shelf lives. Lower concentrations can't combat water contamination as effectively as Sanygen. Sanygen Liquid Shock kills germs and algae as it oxidizes impurities by destroying organic contamination.

Sanygen is specially designed for use in swimming pools because all impurities, minerals, and other contaminants are removed during the manufacturing process. See the sparkling difference that SANYGEN LIQUID SHOCK can make in your pool!

Available in 4/1 gallon cases. It is necessary to store chlorine in vented capped bottles: therefore, KEEP CASES AND BOTTLES UPRIGHT WHEN TRANSPORTING AND INSIST THAT YOUR DEALER DOES THE SAME.

S-C1-04 4/1 gallon case
4/1 gal. - 48 to 191
4/1 gal. - 192 or more



SANYGEN PH DOWN (SULFURIC ACID 38%)

Sanygen pH Down (Sulfuric Acid 38%) is an economical and easy-to-use liquid that will immediately lower pH. It is non-fuming but care should still be used in handling as it is corrosive. Use rubber gloves and safety goggles when handling sulfuric acid. DO NOT use for acid etching prior to painting.

KEEP CASES AND BOTTLES UPRIGHT WHEN TRANSPORTING AND INSIST THAT YOUR DEALER DOES THE SAME.

S-B8-04 4/1 gallon case
4/1 gal. 48 or more



SANYGEN PH DOWN (MURIATIC ACID)

Recommended for cleaning purposes only. See Sulfuric Acid for pH control.

Sanygen pH Down (Muriatic Acid) is an economical and easy-to-use liquid that immediately lowers pH. It can also be used for various cleaning applications like removing metal and mineral stains from pool walls. In addition, Sanygen pH Down can be used for paint preparations on stubborn pool walls. Use rubber gloves and safety goggles when handling muriatic acid.

KEEP CASES AND BOTTLES UPRIGHT WHEN TRANSPORTING AND INSIST THAT YOUR DEALER DOES THE SAME.

S-B1-04 4/1 gallon case
48

SANYGEN 2.5 GALLON BAC PAC

Sanygen Liquid Shock, the chlorine that pool owners have trusted for years, is once again available in an all new economical and environmentally friendly container. The Bac Pac has returned after a ten year absence.



Bac Pac is a bright yellow, 2.5 gallon reusable container that can be returned and exchanged for another Bac Pac full of Sanygen Liquid Shock. This new and improved container is a "No Glug" with the vent built into the handle.

S-C1-2.5 2.5 gallon
 (60 per pallet)
 71-009 Container Deposit
 Total Cost

- * Exchange Price Only
- * Containers must be in re-usable condition with cap secured in order for exchange to occur.
- * **Note to Dealers: Delivered in multiples of 60/pallet only. Containers are stackable for safe and easy storage.**



SANYGEN SMALL, SLOW DISSOLVING TABLETS

1/2 oz. tablets contain 90% available chlorine. For use in refillable cartridges.

S-C2-16 16 lb. container

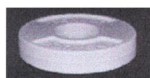
This item not available in 2023



SANYGEN REFILLABLE CHLORINE CARTRIDGES

Sanygen Refillable Chlorine Cartridges come in 4-lb. sizes which fit virtually all automatic tablet feeders. Each cartridge contains 1" tablets with 90% available chlorine.

4 lb. cartridge
 S-C2-4U 6/4 lb.



S-FR Float ring



SANYGEN 3" SLOW DISSOLVING TABLETS

SANYGEN chlorine tablets help control bacteria and algae on a daily basis. You can maintain your chlorine residual by merely placing the tablets in your chlorinator or skimmer as it continually releases chlorine throughout your pool.

REMEMBER: weekly "shock" treatments are still needed when tablets are used daily.

S-C3-32 16 lb.
S-C3-50 25 lb.



This item not available in 2023

BROMINE

Slow dissolving bromine tablets containing 61% available bromine and 27% available chlorine. Bromine is highly stable in warm or hot water and is effective over a broad pH range.

47233011 Bromine 3.5 lb.
8/3.5 lb. per case
47241150 Bromine 50 lb.



SANYGEN PH DOWN DRY ACID

Sanygen pH Down (Dry Acid) also lowers pH in a convenient powder form. DRY ACID also reduces the total alkalinity level in the water. Adding chemicals and fresh water may raise the pH above 7.6. Sanygen pH Down is effective in avoiding problems caused by high pH.

S-B2-6 6 lb. container
8/6 lb. per case



SANYGEN PH UP (SODA ASH)

Sanygen pH Up (Soda Ash) is a powder that quickly raises pH and is easy to store and handle. The addition of chemicals and impurities may lower the pH below 7.4. Sanygen pH Up is essential in maintaining your water balance.

S-B4-5 5 lb. container
8/5 lb. per case



SANYGEN ALKALINITY PLUS

Sanygen Alkalinity Plus increases total alkalinity to stabilize pH. Dry powder form makes it easy for pool or spa owner to manage the total alkalinity level of the water. 1 1/2 lbs. increase total alkalinity 10 ppm/10,000 gallons.

S-B6-5 5 lb. bag
8/5 lb. per case
S-B6-10 10 lb. bag
4/10 lb. per case



SANYGEN HARDNESS PLUS

Sanygen Hardness Plus increases total hardness to improve "soft" water's filtration. Sanygen Hardness can also help prevent damage to your pool or spa and equipment caused by "soft" water. When your water is deficient in calcium, it becomes corrosive and aggressive which can be harmful. One pound increases total hardness 10 ppm/10,000 gallons.

S-B7-8 8 lb. bag
4/8 lb. per case



SANYGEN SUSPEND

Sanygen Suspend is a superior product since it prevents both metal and mineral stains, while operating in a broad pH range. Sanygen Suspend ties up metal and mineral particles so that scaling and discoloration are eliminated. One quart initially treats 10,000 gallons.

S-B9-01 1 quart bottle
12/1 qt. per case
S-B9-04 1 gallon bottle
4/1 gal. per case



SANYGEN CONDITIONER

Sanygen Conditioner is a chlorine stabilizer that helps prevent the dissipation of chlorine in your water. An ideal level of conditioner is between 25-35 ppm. 1 lb. gives 12 ppm/10,000 gallons.

S-R1-1 1 lb. packet
24/1 lb. per case
S-R1-4 4 lb. bag
8/4 lb. per case



SANYGEN CHLORINE NEUTRALIZER

Sanygen Chlorine Neutralizer quickly lowers excessive chlorine levels. Its convenient powder form allows you to store it on your shelf in case of unexpected high chlorine levels. 1 lb. will neutralize 10 ppm chlorine in 10,000 gallons of pool water.

S-R3-5 5 lb. container
8/5 lb. per case



SANYGEN CONCENTRATED ALGAECIDE



Sanygen Concentrated Algaecide is a powerful, concentrated, and non-foaming algaecide that is effective in combating and preventing all types of algae. Sanygen Concentrated also helps in clarifying the water while also reducing the need for other chemicals to maintain water balance. One quart initially treats 12,000 to 24,000 gallons.

S-A1-01 1 quart bottle
12/1 qt. per case
 S-A1-04 1 gallon bottle
4/1 gal. per case

SANYGEN 3 IN 1 ALGAECIDE



Sanygen 3 IN 1 offers an economical, effective means to:

- 1) kill and prevent algae
 - 2) reduce the surface tension of the water
 - 3) reduce scum lines around your pool or spa
- One gallon initially treats 50,000 gallons. Pink in color.

S-A2-04 1 gallon bottle
4/1 gal. per case

This item not available in 2023

SANYGEN DOUBLE STRENGTH ALGAECIDE



Sanygen Double Strength Algaecide has the same benefits as Concentrated Algaecide—at double the strength. This 60% solution is effective on a wide range of different algae types. One quart initially treats 24,000-48,000 gallons.

S-A3-01 1 quart bottle
12/1 qt. per case

SANYGEN CUPROGEN ALGAECIDE



Sanygen Cuprogen is a concentrated non-foaming algae killer and preventative that is effective against “tough” types such as black algae. One quart initially treats 80,000 gallons.

S-A5-01 1 quart bottle
12/1 qt. per case

NEW

SANYGEN DEFOAMER

Sanygen Defoamer eliminates and prevents foaming in spas, hot tubs, fountains or wherever foam can be a problem.

S-Q3-01 1 quart bottle
12/1 qt. per case

SANYGEN CRYSTAL CLEAR



Sanygen Crystal Clear is a safe and effective water clarifier. It is safe for both the family and the environment due to its all natural base that is non-toxic, biodegradable and non-polluting. It is effective due to its unique four-way process.

- 1) clarifies cloudy water
- 2) removes metals
- 3) eliminates oil and scum lines
- 4) improves filter efficiency

One quart treats 80,000 gallons.

S-Q2-01 1 quart bottle
12/1 qt. per case
 S-Q2-04 1 gallon bottle
4/1 gal. per case

SANYGEN SIDELINE CLEANER



Sanygen Sideline Cleaner is a liquid cleaner specially formulated for cleaning pool scum lines. It can be applied simply with a brush or sponge. It is compatible with pool water and safe for use on all pool wall surfaces.

S-X1-04 Sideline cleaner,
 1 gallon
4/1 gal. per case

SANYGEN FILTER CLEANER



Removes dirt, minerals, grease and scale from most pools and spa filters, including D.E., cartridge and sand. Mild acid combined with strong detergents cleans effectively without fumes.

S-X4-2 2 lb. container
12/2 lb. per case

SANYGEN IRON STAIN REMOVER



This cleaner is particularly effective in removing metal stains, such as rust, from surfaces including concrete.

S-X7-5 5 lb. container
8/4 lb. per case

SANYGEN ENZYMES

Enzymes used for the Pool and Spa Industry are geared for the digestion of oils, suntan oils, lotions, shampoo's, cosmetics and body oils. Oils harbor and allow the growth of bacteria, water molds, slime and algae, thereby preventing the sanitizer Chlorine, Bromine or Biguanide products from destroying them. Enzymes break down the molecular structure of oils and allow the sanitizers to work more effectively in killing the contaminates. Enzymes also have the ability to digest particles of organic materials, algae, water molds, slime as well as other types of water contaminates.

SANYGEN PHOS CLEAR 3K

New and improved!

Sanygen Phos Clear 3K is a highly concentrated phosphate remover that is designed to remove orthophosphates from swimming pool water. It is an ideal weekly maintenance product and will remove at least 3,000 ppb orthophosphates per 10,000 gallons using 1 quart. Safe to use with all sanitizers, including salt generators. Use 2 fl. oz. of Sanygen Phos Clear 3K per 10,000 gallons of pool water to control phosphate levels and keep water clear. For heavy bather loads, dosage may be increased.

S-Q4-01 1 quart bottle



SANYGEN OXIDIZING SHOCK & SWIM

Non-chlorine oxidizer will not raise chlorine levels. Enhances swimmer comfort. Restores sparkle and clarity to dull water. Available in 25 lb. container.

47243900 25 lb.

CALCIUM HYPOCHLORITE

Granular calcium hypochlorite contains 68% available chlorine to achieve outstanding sanitizing results. Fast dissolving action provides effective sanitization and excellent solution consistency. Convenient and easy to use. Versatile and effective, granular calcium hypochlorite has unbeatable utility, providing an unsurpassed industrial sanitizing and disinfecting solution. This product works great to spot treat areas that may be showing signs of algae formation.

CHG50 50 lb.

CHEMICAL MEASURING CUP - 16 OZ.

Use for proper dosing with this 16 oz. graduated chemical cup.

MC-1 Measuring cup
24 per case



TLC

Liquid cleaner for tile, chrome, and vinyl.

71028 1 quart bottle
12/1 qt. per case



DROP N VAC

Drops unfilterable debris to bottom of pool for easy vacuum removal.

71408 1 quart bottle
12/1 qt. per case



ACTIVATE

Fast-dissolving, non-chlorine shock oxidizer quickly destroys contaminants. Clears cloudy water and eliminates odors and contaminants.

106215 5 lb. container
6/5 lb. per case



LARGE CAPACITY CHEMICAL DISPENSER



Refillable floating dispenser with twist lock cap and adjustable feed control ring. Holds six 3" trichloro tablets or three pounds of small 1" trichloro tablets. Not recommended for use in vinyl liner pools.

8720 Chlorinator
12 per case

MINI TABLET FLOATING DISPENSER



For chlorinating or brominating spas and small pools. Holds 1" chlorine, bromine tablets or sticks. Has an adjustable control ring.

8715 Chlorinator
6 per case
18855 Screen f/160006

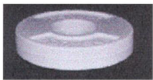
ANIMAL FLOATING DISPENSER



Floating dispensers make an attractive addition to any pool. These dispensers are designed to hold up to 3 lbs. of 3" chlorine tablets. Easy flow adjust.

87271 Cool Shark
12 per case
87281 Cool Penguin
12 per case

SANYGEN FLOAT RING



Specially designed Float Ring to hold Sanygen Refillable Chlorine Cartridges for floating in pools. This ring will not accept E-Z Clor Super 90 Clor Pacs. Not recommended for use in vinyl liner pools.

Fits S-C2-4U

S-FR Float ring

HAYWARD OFF-LINE TABLET FEEDER



An off-line automatic chlorinator that holds up to 9 lbs. of Trichlor tablets. Has Easy-lok™ cover and simple, dial feed-rate control. Sealed tablet chamber makes this feeder ideal for indoor or below pool level installation. Comes with all necessary hardware.

CL-220 Off-line feeder

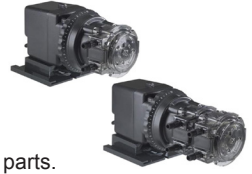
HAYWARD IN-LINE TABLET FEEDER



Same features as off-line except for in-line use. Furnished with 1.5" FPT connections. SP1500UN-PAK contains two 1.5" slip union ends. Each pak includes: 2 socket connectors, 2 union nuts, and 2 o-rings.

CL-200 In-Line feeder
SP1500UNPAK2 Pack

STENNER CLASSIC SERIES PERISTALTIC PUMPS



A self-priming pump that achieves pumping action by moving a system of rollers against a flexible tube. The pumped fluids are never exposed to the air or to the mechanical moving parts. The roller design prevents siphoning by providing a constant seal on the pumping tube. Easy tube replacement without tools.

PUMPS:

45MJL2A1STAA 10 GPD, 25 psi, single head
45MJL3A1STAA 22 GPD, 25 psi, single head
45MJL5A1STAA 50 GPD, 25 psi, single head
85MJL5A1STAA 85 GPD, 25 psi, single head
170JL5A1STAA 170 GPD, 25 psi, double head
85MJH2A3STAA SHAO, 17 GPD, 100 psi

PARTS AVAILABLE:

MCCP202 #2 Pump Tube Assy.
MCCP203 #3 Pump Tube Assy.
MCCP205 #5 Pump Tube Assy.
QP252-1 #2 Pump Head w/Pump Tube & Ferrules
QP255-1 #5 Pump Head w/Pump Tube & Ferrules
QP252K #2 Pump Head Service Kit (Pump Tube, Roller Assy., Latches, Nuts & Ferrules)
QP255K #5 Pump Head Service Kit (Pump Tube, Roller Assy., Latches, Nuts & Ferrules)
ST114 Weighted Suction Strainer 1/4"
MCFC5H0 Variable Cam
QP500-4 Roller Assembly
FSK100 Feed Rate Service Kit
MCAK100 1/4" Connecting Nut
MCAK200 1/4" Ferrule
MCAK300 Injection Fitting 1/4" with Nut & Ferrule
MCADPTR Connecting Nut 3/8" with Adapter
MANUT00 3/8" Connecting Nut for 3/8" Tubing
AK4100W 1/4" White Tubing per Foot
FC5L005 Index Pin Spring
FC5L002 Index Pin
AK600 1/4" Flow Indicator
AK700 3/8" Flow Indicator
PMBRPL2 Rotor Bearings & Rings



Pump Tube Assy.



Pump Head



Pump Head Service Kit



1/4" Strainer



Variable Cam



Roller Assembly



Feed Rate Service Kit



Connecting Nut



Ferrule



Injection Fitting



Connecting Nut w/Adptr



3/8" Conn. Nut



1/4" White Tubing



Index Pin Spring



Index Pin



Flow Indicator



Rotor Bearings/Rings

NEW

A1A FLEXFLO PERISTALTIC METERING PUMP

FEATURES:

- Specially designed for pools, spas, and water parks
- Self priming peristaltic metering pump delivers smooth chemical feed
- Patented Tube Failure Detection (TFD) system senses tube failure
- Inputs include: Remote Start/Stop, one relay input
- NSF

HIGHLIGHTS:

- Flow range .01 - 100 GPD
- Pressures 40 PSI
- Turndown ratio 10,000 : 1
- Exclusive Tube Failure Detection (TFD)
- Motor Brushless DC Motor
- Warranty 3 years

BENEFITS:

- Peristaltic pump design does not have valves that can clog requiring maintenance.
- Self-priming – even against maximum line pressure. By-pass valves are not required.
- Cannot vapor lock or lose prime.

A1A4-7T Peristaltic Pump

REPLACEMENT PARTS:

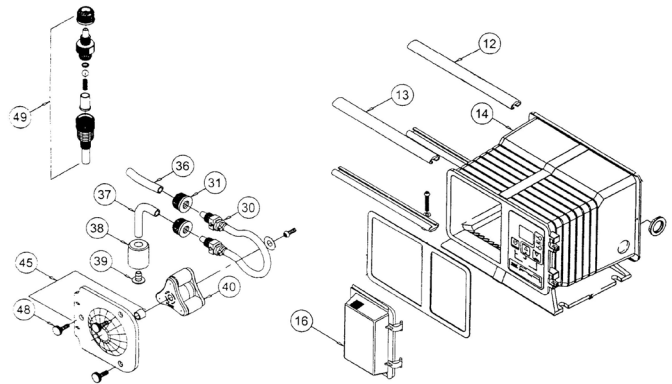
A1-7T Tube Assembly (-7T) 7/16" OD
 C-330-6 Tube Nut 3/8"
 90011-160 Screw, Pump head Cover
 71000-350 Roller Assy-7T

LIMITED QUANTITIES

FLEXFLO A-100N PUMP

High pressure pump with Patented TFD (Tube Failure Detection) system which protects against chemical spills from a worn out tube and activates an alarm output relay. Self-Priming against maximum line pressure. Cannot Vapor Lock or Lose Prime. Pump tube material: Norprene®. New and Improved Pump Head provides increased performance and strength.

A1N00A-6T Pump 6.8 GPD - 100 PSI



A-100N PARTS - HIGH PRESSURE PUMPS

(For Flex-Flo Models: A1N00A-6T, A1N10A-6T, A1N20A-6T, A1N30A-6T, A1N10A-7T, A1N30A-7T)

Ref.

30	A1-6T	Tube Assembly A-100N (-6T) 3/8" OD
30	A1-7T	Tube Assembly A-100N (-7T) 7/16" OD
30	A1-4T	Tube Assembly A-100N (-4T) 1/4" OD
		72000-550 Retro-fit Kit (Not pictured)
31	C-330-6	Tube Nut 3/8"
36	LMI-10342	Tubing, .375" OD Hard, Outlet
37	LMI-10469	Tubing, .375" OD Soft, Inlet
	C-340A	Foot Valve 3/8" OD (Not pictured)
38	C-346	Ceramic Weight
40	71000-159	Roller Assy-4T and 6T-A100N
40	71000-350	Roller Assy-7T for A1N30A-7T
45	71000-156	Cover, Pump head
48	90011-160	Screw, Pump head Cover
49	A-014N-6A	Threaded 3/8" Injector
49	A-014N-4A	Threaded 1/4" Injector
	TI40-6V	3/8" Clamp Injector (Not pictured)
	TI40-4V	1/4" Clamp Injector
	70000-638	Indicator A100N (Not pictured)

Residential Test Kits Thermometers

MPC



DELUXE CHROME/BRASS THERMOMETER

Chrome-plated brass body in tube style design. Clear view window. 7-3/8" long x 1" diameter.

25288 Thermometer
12 per case



CLASSIC ANALOG THERMOMETER

Submersible or floating, with a removable float top this Premier analog model features a shatter resistant ABS body, flat faced clear-view acrylic window, and a posi-lock injection molded inner body.

25293 Thermometer
12 per case



JUMBO THERMOMETER

Jumbo easy read extra large 10" thermometer and cord.

9240 Thermometer
12 per case

TAYLOR RESIDENTIAL TEST KITS

sureCHECK™ SAFETY TEST™

Handy three-way test kit for accurate testing of chlorine/bromine and pH.

K-1000 Safety Test™ kit
24 per case



Replacement Reagents K-1000 Test

R-0600-A OTO (.75 oz.)

24 per case

R-0014-A Phenol Red (.75 oz.)

24 per case

sureCHECK™ SAFETY PLUS™

Tests for chlorine/bromine, pH, acid and base demand, total alkalinity.

K-1003 Safety Plus™ test kit
12 per case



Replacement Reagents for K-1003

R-0600-A OTO (.75 oz.)

24 per case

R-0014-A Phenol Red (.75 oz.)

24 per case

THERANIMAL FLOATING THERMOMETER ASSORTMENT



Soft molded assortment includes 4 styles (shark, penguin, duck, saliboat). Dual range Fahrenheit and Celsius scales on basic thermometer with polyethylene cord.

9221 Assorted thermometers
12 per case

TAYLOR POOL AND SPA TEST STRIPS

Taylor Pool and Spa Test Strips Set the Standard for Speed, Ease, and Accuracy



Test strips have long been the go-to testing method for pool and spa owners—and for good reason. The dry chemistries used in these strips are as reliable as those in Taylor's liquid reagents, and testing couldn't be easier. Just dip and read—no technical know-how required. Within seconds you'll have a good picture of the condition of the water and whether or not any adjustments are necessary. Less time spent testing means more time for enjoying your pool or spa.

Chlorine Strips. Test for free chlorine, pH, alkalinity and cyanuric acid.



S-1331 Chlorine Test Strips
50/Bottle
12 per case

Bromine Strips for Spas. Test for total bromine, pH, alkalinity and hardness.



S-1332 Bromine Strips
50/Bottle
12 per case

Salt Test Strips. Foiled strips. Test strips for sodium chloride 0-5000 ppm.



S-1341 Salt Foiled Test Strips
10 strips/bottle
12 per case



TAYLOR K-2005-C TEST KIT

The K-2005 kit is a complete DPD test kit and includes the basic 2000 plus the 2001 Alkalinity, 2002 Cyanuric, 2003 Hardness, and 2004 Water Balance Guide. The kit holds all 3/4 oz. bottles (22 ml). Instructions are on inside lid and laminated for protection. Replacement 3/4 oz. reagents are available separately. The K-2005-C kit is the same as the K-2005 except that it contains all 2 oz. (60 ml) bottles of reagents. This kit is designed for commercial applications where multiple tests are required daily. Replacement 2-oz. reagents available separately.



K-2005	Complete DPD Test Kit (.75 oz.)
K-2005-C	Complete DPD Test Kit (2 oz.)
9056	Comparator

TAYLOR TDS KIT

Gives accurate measurement of total dissolved solids.



K-1764	TDS Test Kit
R-0809-II	TDS Resin (50 gm.)
R-0810-C	Sodium Carbonate (2 oz.)
R-0811-C	Sulfuric Acid

TAYLOR 2000 TEST KITS

A test kit for complete testing of pool water. Kit 2000 is the base kit with tests for free chlorine or bromine, total chlorine or bromine, pH and acid/base demand. 2004 Water Balance Guide is a booklet describing the different tests and their importance.



K-2000	Chlorine, pH, Acid/Base Demand
K-2004	Water Balance Guide

TAYLOR FAS DPD CHLORINE KIT

Drop test kit measuring free and combined chlorine.

K-1515-A	FAS DPD Kit-.75 oz
K-1515-C	FAS DPD Kit- 2 oz.
R-0870-I	DPD Powder - 10 gm.
R-0870-J	DPD powder-.25 lb.
R-0871-C	FAS Titrating reagent-2 oz.
9250	Unit Dose Dispenser



WATER ANALYSIS CENTER REPLACEMENT ITEMS

K-4024	Test Cell, calibrated, 11.5 ml, plastic
4030	Pipet, calibrated, 0.5 ml and 10 ml, plastic w/cap
R-0851-C	Iron Reagent - #1, 2 oz.
R-0852-C	Iron Reagent - #2, 2 oz.
R-0860-C	Copper Reagent - #1, 2 oz.
R-0861-C	Copper Reagent - #2, 2 oz.
4088	CYA Test Cylinder

CHLORINE, PH REPLACEMENT REAGENTS

R-0001-A	#1 DPD Reagent (.75 oz.)
24 per case	
R-0001-C	#1 DPD Reagent (2 oz.)
12 per case	
R-0002-A	#2 DPD Reagent (.75 oz.)
24 per case	
R-0002-C	#2 DPD Reagent (2 oz.)
12 per case	
R-0003-A	#3 DPD Reagent (.75 oz.)
24 per case	
R-0003-C	#3 DPD Reagent (2 oz.)
12 per case	
R-0004-A	#4 Phenol Red Reagent (.75 oz.)
24 per case	
R-0004-C	#4 Phenol Red Reagent (2 oz.)
12 per case	
R-0004-F	#4 Phenol Red Reagent (32 oz.)

BASE & ACID DEMAND REPLACEMENT REAGENTS

R-0005-A	#5 Acid Demand Reagent (.75 oz.)
R-0005-C	#5 Acid Demand Reagent (2 oz.)

R-0006-A	#6 Base Demand Reagent (.75 oz.)
R-0006-C	#6 Base Demand Reagent (2 oz.)

Alkalinity (K2001)

R-0007-A	#7 Sodium Thiosulphate (.75 oz.)
R-0007-C	#7 Sodium Thiosulphate (2 oz.)

R-0008-A	#8 Alkalinity Indicator (.75 oz.)
----------	-----------------------------------

R-0008-C	#8 Alkalinity Indicator (2 oz.)
----------	---------------------------------

R-0008-E	#8 Alkalinity Indicator (16 oz.)
----------	----------------------------------

R-0009-A	#9 Sulfuric Acid Reagent (.75 oz.)
----------	------------------------------------

R-0009-C	#9 Sulfuric Acid Reagent (2 oz.)
----------	----------------------------------

R-0009-F	#9 Sulfuric Acid Reagent (32 oz.)
----------	-----------------------------------

Hardness (K2003)

R-0010-A	#10 Calcium Buffer (.75 oz.)
----------	------------------------------

R-0010-C	#10 Calcium Buffer (2 oz.)
----------	----------------------------

R-0011L-A	#11 Calcium Hardness Indicator (.75 oz.)
-----------	--

R-0011L-C	#11 Calcium Hardness Indicator (2 oz.)
-----------	--

R-0012-A	#12 Hardness Reagent (.75 oz.)
----------	--------------------------------

R-0012-C	#12 Hardness Reagent (2 oz.)
----------	------------------------------

Cyanuric Acid (K-2002)

R-0013-C	#13 Cyanuric Acid Reagent (2 oz.)
----------	-----------------------------------

R-0013-E	#13 Cyanuric Acid Reagent (16 oz.)
----------	------------------------------------

Misc.

R-1003-J-C	pH Indicator 2 oz.
------------	--------------------

9194	CYA dispensing bottle
------	-----------------------

REAGENT KITS

R-KIT1	Includes 2 oz. reagents 1, 2, 4
--------	---------------------------------

R-KIT2	Includes 2 oz. reagents 1, 2, 4, 7, 8, 9
--------	--

TAYLOR PHOSPHATE TEST KIT

Taylor K-1106 Commercial Phosphate Test Kit helps you control algae by identifying the phosphate level in your pool so you can adequately treat or prevent algae problems.

K-1106	Phosphate Test Kit 0-1000 ppb
--------	-------------------------------



TELESCOPIC POLE

Three-piece telescopic pole with twist lock. Extends from 5' to 15'.

8356A Pole (5'-15')
12 per case



TELESCOPIC POLE

2-piece, strong telescopic pole. Anodized aluminum with both inside and outside locking cams and comfortable handgrip.

8356 Pole (8'-16')
12 per case



ALUMINUM TELESCOPIC POLE

Telescopes from 12' to 24' length.

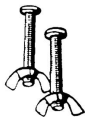
R191088 Pro Aluminum pole
12' to 24'



STRAIGHT POLES

Straight anodized poles ideal for use as reach poles and for use with safety hooks.

R191106 12' straight pole
R191116 16' straight pole



BRASS SCREW-WING NUT

Secures pole accessories to pole.

155-BS Screw and nut



ACCESSORY HANGERS

Handy and sturdy aluminum hook set will not rust. Complete with SS screws.

8902 Hangers
24 per case



PROFESSIONAL HEAVY DUTY LEAF SKIMMER

Super-strong structural molded leaf skimmer for quality and value.

8039 Leaf skimmer net
12 per case



LEAF SKIMMER WITH HANDLE

Leaf skimmer with 48" aluminum handle provides 63" reach.

8055 With 4' handle
24 per case



HAND SKIMMER NET SOCK

Collects pollen, foam, minute insects and surface oils. Slide the net sock over skimming net and use in the normal manner. May be rinsed and reused. Will fit all skimming nets Approx. 1 sq. ft.

NS-2 Net sock
18 per case



H20 PRO 12" SKIMMER NET

Premium super wide mouth skimmer with heavy duty net and soft scoop edge for picking up even small debris.

80600 Leaf skimmer
6 per case



H20 PRO 17" LEAF RAKE

Premium super wide mouth deep bag leaf rake with soft scoop edge.

80605 Leaf rake
6 per case



ALUMINUM PREMIUM DEEP BAG LEAF RAKE

Heavy duty, light and strong. Aluminum frame and deep bag with plastic safety bumper.

8033 Leaf rake
12 per case

**PLASTIC WALLBRUSH**

18" deluxe floor and wall brush. Straight design, heavy duty one-piece construction with nylon bristles.

8210 Plastic Wallbrush
12 per case

**METAL BACK WALLBRUSH**

18" aluminum floor and wall brush. Curved design, reinforced aluminum construction with nylon bristles.

8220 Metal Back Wallbrush
12 per case

**DELUXE ALGAE BRUSH**

5" brush with stainless steel bristles for removing tough algae from plastered pools. Handle – snaps on and off pole.

20178 Algae Brush
12 per case

**10" WOOD DECK / ACID BRUSH AND HANDLE**

Versatile pool brush with acid-resistant polypropylene bristles. Ideal for acid washing pools and other heavy-duty cleaning. Accepts 54" tapered handle.

20180 Handle
20182 Brush

**POOL 'N' SPA SCRUBBER**

Comfortable hand-held, long-lasting scrubber pad.

8270 Scrubber
24 per case

**DURAMITT**

A combination scrubby and sponge bonded to a durable, heavy duty waterproof latex mitt. Ideal for use on fiberglass, acrylic, vinyl, & tile. Large scrubbing surface to remove the toughest dirt, slime, & grime.

DM-1 Duramitt
12 per case

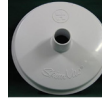
**SKIM VAC**

Allows vacuumed debris to be trapped in skimmer basket rather than in pump strainer basket. Attaches to vac hose and fits over skimmer basket.



Model SP11041 fits SP1090 and SP1092 skimmers. Elbow fitting of Skim Vac allows connection with 1-1/4" or 1 1/2" vac hose through mouth of skimmer.

Model SP1106 (with gasket) fits SP1082, SP1084, SP1085, SP1075 skimmers. Straight fitting of Skim Vac allows connection with 1 1/2" vac hose through skimmer cover.



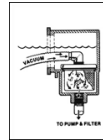
Model SP11063 fits SP1070 Skim Master. Straight fitting of Skim Vac allows connection with 1 1/2" vac hose through skimmer cover.



Model SP1107 fits SP1082, SP1084, SP1085, SP1075 skimmers. Straight fitting of Skim Vac allows connection with 1 1/2" vac hose through skimmer cover.



Model SP1094D fits SP1094 & SP1095 AG skimmers. Elbow fitting allows connection with 1-1/4" or 1-1/2" vac hose through mouth of skimmer.



SP11041 Skim Vac
SP1106 Skim Vac
SP11063 Skim Vac
SP1107 Skim Vac
SP1094D Skim Vac

**SUN SORB**

Sun Sorb attracts body oils and lotions providing better water quality and longer filter cycles. For use in pools, spas and hot tubs to help eliminate the formation of waterline scum. Will not get clogged in water lines and is reusable. Place in skimmer or free float in pool or spa water.

SS-1 Sun Sorb
24 per case

**FILTER SAVER BASKET LINER**

Stretch over existing skimmer basket and the fine mesh will collect pollen, insects, and debris. Allows better water flow and longer filter cycles. Fits most skimmer baskets and may be rinsed and reused.

FS-5 Filter Saver-5 pk.
24 per case



VAC HOSE CUFFS

Replacement cuffs thread directly on strip formed vac hose. Should be cemented on with silicone cement for best results.

- 36680 Cuff for 1 1/4"
- 12 per case**
- 36682 Cuff for 1 1/2"
- 12 per case**



I-HELIX VAC HOSE- COMMERCIAL GRADE

I-Helix is recognized as the finest professional grade spiral wound vacuum hose in the industry. Backed by a 5 year warranty and scientifically engineered for flexibility, strength, and flow characteristics. It is the ultimate in ultraviolet protection and kink resistant operation and is available with swivel cuff to prevent twisting, kinking, and tangling.

- IH50 1-1/2" x 50'
- IH250 2" x 50'



VAC HOSE CONNECTORS

1429-015 insert couplings can be used to join two hoses with cuffs. SP1091-Z-7 male (smooth) adapter 1-1/2" MIP x 1-1/4" to 1-1/2" combo hose.

- 1429-015 1 1/2" Coupling
- 20 per case**
- SPX1091Z7 Adapter, 1 1/4"
- and 1 1/2" hose

HEAVY SILVER® FILTER CONNECTION HOSE



The original reliable, heavyweight replacement hose made specifically for pool filter connections, featuring: heavyweight, pressure tested at 130°F, seamless one-piece construction, special integrally molded leak-proof cuffs with tapered I.D. and shrink rings for easy installation, maximum U/V inhibitors and anti-oxidants, precut lengths for proper fit on all installations, 3' & 6' lengths packaged individually in printed poly bags.

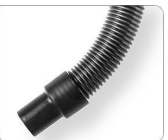
- Y793 Hose 1-1/2" x 3'
- 40 per case**
- Y794 Hose 1-1/2" x 6'
- 35 per case**



FORGE LOOP VAC HOSE

The most affordable premium grade spiral wound hose in it's class. Forge Loop, backed by a 3 year warranty, features a thick crown for extra wear and abrasion resistance and a smooth interior design for maximum water flow. PE copolymer material formulation ensures ultraviolet and chemical protection. For all types and sizes of in ground and above ground residential pools. 1 1/2" available from inventory with a swivel cuff.

- FL125 1-1/2" x 25'
- FL135 1-1/2" x 35'
- FL150 1-1/2" x 50'



FILTER FLO-BLACK SILVER CONNECTION HOSE

Specially formulated spiral wound filter connection hose designed for pump to filter and intake/return filter connections. Separate, soft durometer EVA cuffs are welded to the hose for leak-proof, easy to install connections. Two tone black and silver color scheme blends with existing pump and filter decor, and contains the latest U/V additives.

- C150-3 Hose 1-1/2" x 3'
- 24 per case**
- C150-6 Hose 1-1/2" x 6'
- 12 per case**



GIANT VENTURI LEAF BAGGER

Picks up leaves and other debris. Operates with garden hose or automatic pool cleaner hose. For concrete or vinyl. Comes with wheels and brushes.

8170 Leaf Eater
6 per case

8170R Replacement bag



POWER VAC

12" round, "see thru" vac head with wrap around Nylon brush allows fast thorough vacuuming. Bolt-on handle.

SP1067 Power Vac



SUPER VAC

"See Thru" vac head allows cleaning in corners. Includes 1 1/2" swivel hose connector to prevent hose kinks and Quick-snap handle for fast on and off pole. Model SP1068 has long-wearing nylon brush for use in vinyl liner pools. Model SP1068DL is the same but includes weights.

SP1068 For vinyl
SP1068DL For weighted



BUTTERFLY WEIGHT VACUUM HEAD

Weighted butterfly vac head fits both 1-1/4" & 1-1/2" hose.

8131 AG Vac Head
12 per case



AIR VAC VINYL LINER VACUUM

Durable ABS handle with tension spring control. 13" wide ABS body. Weighted for easy control and maneuverability. Perimeter brush. Self adjusting air-relief valves.

27400 Vinyl liner vac head



COMMERCIAL HEAVY DUTY 19" SWIVEL WHEEL VAC HEAD

19" Wide, flexible vac head with enclosed weights and swivel wheels to allow travel in all directions - greatly reduces vacuuming time. Includes 1-1/2" swivel hose connector or prevent hose kinks. Snap adapt handle - snaps on and off pole.

250 Vac Head



19" CONCRETE POOL VAC

19" concrete pool flex vac. Extra wide, urethane wheels, spring handle. Fits 1-1/2" vac hose.

8168 Vac head
12 per case



14" CONCRETE VAC HEAD

Concrete pool flex vac that fits both 1-1/4" & 1-1/2" vac hose.

8151 Vac head
6 per case



MINI VENTURI VAC FOR POOL OR SPA

Venturi vac with wheels for small pools or spas. Use with 5 piece screw-on pole supplied or with conventional telepoles using supplied telepole handle.

8194 Mini Venturi Vac
12 per case

DOLPHIN ACTIVE 40 POOL CLEANER *INCLUDES CADDY & SWIVEL CABLE*



Enjoy hands-off pool cleaning with the Active 40. This Wi-Fi connected cleaner is loaded with advanced cleaning features giving you the ability to customize cleaning schedules and more. Get a worry free clean from anywhere, any time. Recommended for all types of pools up to 50 ft. in length. Scrubs, brushes, vacuums and cleans pool floor and entire wall surface and water line. Cycle time 1.5, 2, 2.5 hours. Anti-tangle swivel cable. Cable length 60 ft. 24 month warranty.

999996271-US Active 40

Special order. There is an additional charge for inbound freight.



DOLPHIN FILTER BAG

Filter bags trap all the dirt and micro-filter the pool water. Machine washable. All Dolphin models.

9995430-ASSY
Filter bag



DOLPHIN "CLEAN-UP" FILTER BAG

Dolphin Clean-Up filter bags are designed for spring clean-ups, pool openings, extra-dirty pools, etc. Machine washable. All Dolphin models.

9995431-ASSY
Filter bag



DOLPHIN WONDERBAG

Disposable filter bags for all Dolphin models. Never clean a filter bag again. Pack of 5.

9991440-ASSY
Filter bag



DOLPHIN FILTER BAG FOR DX6

Dolphin filter bag 70 mil each for DLX4, DLX5, DX6.

99954305-ASSY
Filter bag



AUTOMATIC POOL CLEANER HOOK UP HOSE

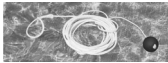
772855-L White universal leader hose. Female cuff each end 1.5" x 4'. Fits Barracuda, Kreepy Krauly, Jandy.

20 per case

**RING BUOY**

A U.S. Coast Guard-approved ring buoy made of almost indestructible closed-cell plastic with perimeter rope. 19" Ring buoy is white.

CJ-G-19 19" Ring buoy

**LIFELINE**

Attaches to ring buoy for easy retrieval.

55547 Lifeline 30'
55548 Lifeline 60'

**LARGE RESCUE TUBE**

Bright International Orange vinyl coating for best visibility & lightweight foam body for handling comfort! Model #79 recommended for general use in swimming pools and lakes. Features a huge section of resilient foam, 6" wide nylon shoulder strap and plastic slide no snaps, only a 2" loop near the floatation section. Model #79 Size: 49" x 6" x 4"

79 Large rescue tube

**STRAIGHT POLES**

Straight anodized poles ideal for use as reach poles and for use with safety hooks.

R191106 12' straight pole
R191116 16' straight pole

**SAFETY HOOK**

Life saving emergency response hook. Handy to help swimmers in emergency or to teach swimming.

Safety notes: Do not attach to telescopic pole. Attach with nut and bolt which do not protrude to injure swimmer.

89900 Safety pole hook

**BRASS SCREW-WING NUT**

Secures pole accessories to pole.

155-BS Screw and nut

**LOCK FLOAT**

Handi-Lock Float twists to lock securely on 3/4" rope. Available in blue and white color.

IF-5975 Float 5" x 9"
12 per case

**ROPE HOOK / ROPE CLAMP**

Chrome-plated brass cleat type rope hook firmly grips rope.

PH-52 Hook for 3/8"-1/2"
Rope clamp

PH-53 Hook for 5/8"-3/4"
Rope clamp



PH-59 Clamp for 5/8"-3/4"
Rope hook

**ROPE**

Blue and white polypropylene rope.

BWR-.375 3/8" Rope

600 ft. per roll

BWR-.5 1/2" Rope

600 ft. per roll

BWR-.75 3/4" Rope

300 ft. per roll

**FLOAT LINE SET**

Preassembled float line set includes line, 3" x 5" blue/white floats, chrome-plated brass hook, splicing hardware and instructions.

RFK16 16' w/5 float

6 per case

RFK18 18' w/7 floats

6 per case

RFK20 20' w/9 floats

6 per case

EYEBOLT ASSEMBLY

Chrome-plated bronze eyebolt.

PI-74 Eyebolt comes with an anchor for use in a concrete pool.

PI-72B Eyebolt comes with gaskets, lock-washer and nut for use on a panel wall pool.



PI-74 Rope eye
w/lead sleeve



PI-72B Removable eye
For vinyl liners

**OVAL ROPE EYES**

Chrome-plated brass with screws for use on vinyl liner pools.

PI-70 Pair

**FLOAT**

Plastic float. Available in two sizes: 3" x 5" for 1/2" rope and 5" x 9" for 3/4" rope.

RBF35BW Red Float 3" x 5"

RBF59BW Blue Float 5" x 9"



1. 12" X 18"



2. 12" X 18"



3. 18" X 24"



4. 18" X 24"



5. 18" X 24"



6. 18" X 24"



7. 18" X 12"



8. 18" X 12"



9. 24" X 18"



10. 18" X 12"



11. 18" X 24"



12. 12" X 18"



13. 6" X 12"

SIGNS

Permanently silkscreened, weather-resistant, plastic signs with grommets for easy hanging.

1. 41352 "No P in OOL" Sign
12 per case
2. 41327 "We Don't Swim in Your Toilet"
12 per case
3. 41350 Urine Detector Sign
12 per case
4. 41336 Adult Pool Rules
12 per case
5. 41339 Children's Pool Rules
12 per case
6. 40366 When Breathing Stops
12 per case
7. 40342 No Diving
12 per case
8. 40312 No Running Sign
12 per case
9. 40325 No Lifeguard on Duty
12 per case
10. 234700 Danger Pool Closed Sign
11. 40368 Public Pool Rules
6 per case
12. 40331 911 Emergency Sign
12 per case
13. 41332 No Glassware Sign
12 per case



INFO-TILE SERIES

Miami Products offers two separate styles of tile markers: ceramic and stick-on. We stock a large assortment of English depth markers and can special order others. Glass tiles are available by special order as well.

CERAMIC

- CER-3 6" x 6" ceramic depth marker, 3 ft.
- CER-4 6" x 6" ceramic depth marker, 4 ft.
- CER-5 6" x 6" ceramic depth marker, 5 ft.
- CER-8 6" x 6" ceramic depth marker, 8 ft.
- CER-DIVE 6" x 6" ceramic depth marker, No Dive Symbol
- CER-79 6" x 6" ceramic depth marker, Light Blue, plain

STICK-ON, SKID RESISTANT

- Stick-0 6" x 6" stick-on depth marker, 0 ft.
- Stick-1 6" x 6" stick-on depth marker, 1 ft.
- Stick-2 6" x 6" stick-on depth marker, 2 ft.
- Stick-3 6" x 6" stick-on depth marker, 3 ft.
- Stick-4 6" x 6" stick-on depth marker, 4 ft.
- Stick-5 6" x 6" stick-on depth marker, 5 ft.
- Stick-6 6" x 6" stick-on depth marker, 6 ft.
- Stick-7 6" x 6" stick-on depth marker, 7 ft.
- Stick-8 6" x 6" stick-on depth marker, 8 ft.
- Stick-9 6" x 6" stick-on depth marker, 9 ft.
- Stick-DIVE 6" x 6" stick-on depth marker, No Dive Symbol
- Stick-DI-LG 6" x 24" stick-on depth marker, No Diving
- Stick-KIT Stick-on installation kit — will take care of approximately 40-45, 6" x 6" tiles
- V004010 Spray Adhesive — only for stick-ons
- V004015 Edge Sealer — only for stick-ons

Other tiles, stick-ons, options available by special request. We can order you just about anything you need.

HAYWARD POWER-FLO LX

The Power-Flo LX pump series is designed for the rigors of above-ground and on-ground type swimming pools. Combining durable construction with advanced features and options, Power Flo LX sets the standard for value and performance.

Model Number	Pump Output (GPM) vs. Total Resistance to Flow (Feet of Head)				
	10 ft.	20 ft.	30 ft.	40 ft.	50 ft.
SP1580	86	86	75	58	27
SP1580X15	91	91	80	62	32



Model Number	H.P.	Voltage	Pipe Size	Dim. "A"	Cord Size
SP1580	1	115	1-1/2"	10-1/8"	6'
SP1580X15	1-1/2"	115	1-1/2"	10-5/8"	6'

Pump Features

- Durable housing for all-weather performance and quiet operation
- Clear cover lets you see when basket needs cleaning
- Drain plug for easy maintenance of pump

SP1580 Pump 1 HP w/cord
 SP1580X15 Pump 1.5 HP w/cord

HAYWARD HCP 3000 SERIES PUMPS



The 3-HP 208V pump is suitable for virtually any small to mid-sized commercial pool. Comes in a 3 phase models. Removable strainer basket reduces daily cleaning and maintenance. 2.5" x 3" union connections for simple, drop-in replacement in almost any application. NSF/ANSI Standard 50 Certified. 1-yr. Limited Warranty.

Model Numbers	Pump Output (GPM) vs. Total Resistance to Flow (Feet of Head)					
	40 ft.	50 ft.	60 ft.	70 ft.	80 ft.	90 ft.
HCP30303	198	185	166	145	115	40

HCP30303 Three-phase 3 HP

HAYWARD REPLACEMENT MOTORS



Genuine Hayward Gold replacement motors complete with Hayward label. All motors are made by A.O. Smith. Other motors available by special order.

Power Flo Pumps

SPX1510Z1XE Motor, 1HP, Power Flo (Single-phase, 60 Cycle)

Super Pumps

SPX1605Z1M Motor, 3/4 HP, Threaded Shaft, (Single-phase 60 Cycle 115/230V)

SPX1607Z1M Motor, 1 HP, Threaded Shaft, (Single-phase 60 Cycle 115/230V)

SPX1610Z1M Motor, 1 1/2 HP, Threaded Shaft, (Single-phase 60 Cycle 115/230V)

SPX1615Z1M Motor, 2 HP, Threaded Shaft, (Single-phase 60 Cycle 115/230V)

SPX1620Z1M Motor, 2 1/2 HP, Threaded Shaft, (Single-phase 60 Cycle 230V)

HAYWARD SUPER PUMP

This self-priming Super Pump features a "see-thru," easy access, super-sized strainer. Designed with service ease and electrical integrity and safety, the Super Pump sets a new standard of excellence. Stock pumps are all up-rate versions.



Model No. Max Rated	Pump Output (GPM) vs. Total Resistance to Flow (Feet of Head)						Voltage at 60 Hz
	20 ft.	30 ft.	40 ft.	50 ft.	60 ft.	70 ft.	
SP2605X7	61	52	41	25	--	--	115/230

SP2605X7 3/4 HP medium head

HAYWARD SUPER PUMP XE-Expert Line

Super Pump XE offers energy efficiency that outperforms Dept. of Energy standards while cutting pump equipment costs by almost a third. Super Pump XE is the just-right pump for just about any pool. With quick and easy installation and dual-voltage capability. Total HP 2.25. Speed range 40-100%.

- Weighted Energy Factor (WEF) for 115V = 7.9 and 230V = 8.0. The higher the WEF, the more efficient the pump
- Industry-leading efficiency
- Easily programmable with up to 6 speeds
- Easy-access control toggles between speeds at the touch of a button
- Dual voltage capability (230V/115V)
- Simple installation
- 3 year warranty



SP2615X20XE 2.25 Total HP

HAYWARD SUPER PUMP 700

Hayward Super Pump 700 is upgraded with an exclusive totally enclosed fan-cooled (TEFC) motor for added reliability. for in-ground pools of all types and sizes and in-ground spas. Features include chemical resistant Viton ® Seal which offers powerful corrosion protection, easy installation and servicing with quick 4-bolt access to all internal components, and extra-large debris basket provides added leaf-holding capacity for less frequent maintenance. Voltage at 60 Hz is 115/230. Port size 1.5". NSF



Model Number	Pump Output (GPM) vs. Total Resistance to Flow (Feet of Head)				
	20 ft.	30 ft.	40 ft.	50 ft.	60 ft.
SP2670007X10	74	64	54	40	13

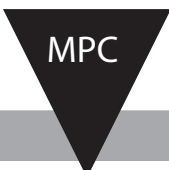
SP2670007X10 1 HP Pump



JACK'S MULTILUBE

All purpose lubricant for O-rings, gaskets, seals, valves, etc. Won't harm plastics, holds consistency over a wide temperature range, and is FDA approved.

SPX0327 1 oz tube



CLOSEOUT



HAYWARD STAR-CLEAR CARTRIDGE FILTER

The Star-Clear Filter features a single element, reinforced polyester cartridge in a corrosion-proof housing. The full view Lexan dome lets you see operation of the filter and along with the large locking knob allows easy access to cartridge element.

Height: 29-1/2"
 Filter Are (Sq. Ft.): 50
 Maxrated Flow (GPM): 50
 Gallons per Hour: 3000
 Pool Capacity (gallons) Based on a 8 Hour Turnover: 24,000

C500 Filter 50 GPM

REPLACEMENT FILTER CARTRIDGES

Replacement filter cartridges for Hayward cartridge filters C225 and C500 and for Rainbow RDC-25. The cartridges that in stock are:



- REPLACEMENT CARTRIDGES:**
 CX225RE Hayward Replacement for C225
 CX500RE Hayward Replacement for C500
 R172325 Rainbow RDC-25 Cartridge

D.E. FILTER ACCESSORIES



MD-1 DE Scoop - 12 oz.
 24 per case

HAYWARD PERFLEX D.E. FILTER

An exclusive design of the Perflex filter allows diatomaceous earth to be used more effectively, keeping operating cost down while maintaining sparkling clear water.



PERFORMANCE DATA

Model Number	Effective Filtration Area	Design Flow Rate*	Turn Over (In Gallons)	
			8 hr	10 hr
EC75A	40 ft (2)	80 GPM	38,400	48,000

*Based on 2 GPM/ft (2) (maximum allowable NSF rating)

GPM* is controlled by pump selection. When choosing a pump, flow, not pressure, is the main consideration.

Model #	Check Valve & 1-1/2" Drain Valve	1-1/2" Pressure Gauge/Inspection Port	D.E. Req'd	Dimensions	
				Width	Height
EC75A	*	*	7 lbs.	21"	31"

EC75A Filter 75 GPM

DIATOMACEOUS EARTH

Diatomaceous earth is filtering media for all D.E. filters. Generally, one pound is required to coat each 10 sq. feet of filter surface area.



- DE-25 25 lb. bag
75 @ 11.90 ea.
 DE-50 50 lb. bag
36 @ 21.60 ea.

PERLITE FILTER MEDIA

Perlite is a direct replacement for DE. Perlite improves filter functioning by pre-coating quickly and effectively. Perlite is safe for use in ALL DE filters. Even though Perlite is approximately half the weight of DE, Perlite is measured the same as DE (scoop for scoop).

TRY ME!



PF60 Perlite

HAYWARD PRO-GRID VERTICAL GRID D.E. FILTERS



Pro-Grid vertical grid D.E. filters provide superior water clarity, efficient flow and large cleaning capacity for pools and spas of all types and sizes. Patent pending automatic Relief Valve purges any entrapped air automatically during filter operation. Strong PermaGlass XL filter tanks made from durable glass reinforced co-polymer to meet the demands of the toughest applications and environmental conditions. Valve not included.

Turn Over Effective

Model Number	Filtration Area	Design Flow Rate*	(In Gallons)	
			8 hr	10 hr
DE3620	36 ft.	72 GPM	34,560	43,200
DE4820	48 ft.	96 GPM	46,080	57,600
DE6020	60 ft.	120 GPM	57,600	72,000
DE7220	72 ft.	144 GPM	69,120	86,400

*Determined by pump size and piping system hydraulics. 2" piping is recommended for flow rates of 90 GPM or more.

Model Number	D.E. Required	Dimensions	
		Width (1)	Height
DE3620	4-1/2 lbs.	23"	34-1/2"
DE4820	6 lbs.	23"	40-1/2"
DE6020	7-1/2 lbs.	23"	46 1/2"
DE7220	9 lbs.	23"	52-1/2"

All filters include pressure gauge, air relief valve and 1 1/2" drain plug.
(1) Above dimensions are for filter only. Add 12" for 1 1/2" and 14" for 2" multiport valves. Add 7" for 2" slide valve.

DE3620 Pro-Grid Filter Only 36 sq. ft.
DE4820 Pro-Grid Filter Only 48 sq. ft.
DE6020 Pro-Grid Filter Only 60 sq. ft.
DE7220 Pro-Grid Filter Only 72 sq. ft.
SP0740DE 2" D.E. valve
SP0710XR50 1.5" D.E. valve

Must order valve separately for above filters.



Closeout

FILTER CLEANING WAND

For use with DE, sand and cartridge filters. Provides an easy solution to cleaning heavy internal parts and hard to reach spots with a jet stream of water. Brush adapter allows scrubbing action while rinsing. Built-in valve for easy on/off water control. Fits a standard garden hose.

CW-1 Cleaning Wand
12 per case

REPLACEMENT FILTER VERTICAL GRIDS



Replacement filter grids for Hayward Pro Grid DE filters. Fits various Pentair (Pac Fab), American, and Hayward filters.

Seven full grids and one partial grid is required to replace all the grids.



DEX2400DA Full Grid DE2420
DEX3600DA Full Grid DE3620
DEX4800DA Full Grid DE4820
DEX6000DA Full Grid DE6020
DEX7200DA Full Grid DE7220

DEX2400DS Partial Grid DE2420
DEX3600DS Partial Grid DE3620
DEX4800DS Partial Grid DE4820
DEX6000DS Partial Grid DE6020
DEX7200DS Partial Grid DE7220

TO CLEAN D.E. FILTER ELEMENTS:

Disassemble and soak the elements in a solution of Sanygen Filter Cleaner overnight. Then rinse the filter elements and reassemble the filter.



D.E. FILTER ACCESSORIES

MD-1 DE Scoop - 12 oz.
24 per case



SANYGEN FILTER CLEANER

Removes dirt, minerals, grease and scale from most pools and spa filters, including d.e., cartridge and sand. Mild acid combined with strong detergents cleans effectively without fumes.

S-X4-2 2 lb. container
12/2 lb. per case

Sand Filters

MPC

HAYWARD PRO SERIES AG FILTER SYSTEM

Pro Series sand systems are designed and equipped to offer the ideal combination of energy efficiency and outstanding water clarity.



System Features:

- * Systems are designed for quick assembly and precise alignment of components
- * Pumps and filters are performance-matched to provide maximum flow and energy efficiency
- * Multi-position valve provides maximum flow at low pressure drop
- * Durable filter bases for long-lasting, all-weather performance

S180T1580X15S includes: 18" polymeric tank, 7-position filter control valve, 1-1/2 HP Power Flo LX pump, one piece deluxe base, 1-1/2" hose package.

S230T1580X15S includes: 23" polymeric tank, 7 position filter control valve, 1-1/2 HP Power Flo LX pump, one piece deluxe base, 1-1/2" hose package.

S180T1580X15S 1.5 HP Filter System
S230T1580X15S 1.5 HP Filter System

HAYWARD PRO-SERIES SAND FILTER

Molded of durable, corrosion-proof polymeric materials, the Pro-Series Filters feature attractive, unitized construction. Self-cleaning, full-flow lateral system; and versatile, six-position control valve for easy operation and maximum efficiency. Ideal for in-ground pools.



Model Number	Lbs. Sand	Design Flow Rate	Turn Over (In Gallons)	
			8 hr	10 hr
S210T	200	52 GPM	24,960	31,200
S244T	300	62 GPM	29,760	37,200

*Based on 20 GPM/ft.2 (maximum allowable NSF rating).

S244T 24" Filter with valve
S210T 20" Filter with valve

PENTAIR TRITON C SAND FILTER

The Triton C filter features a multi-diffuser system that increases filtration and flow which significantly reduces operating costs. Each filter is specially designed for efficiency and easy maintenance. Engineered as single-piece tanks for superior strength and designed for high capacity.

Valves sold separately.



Product	Model	Effective Filtration Area (Sq. Ft.)	Flow Rate (GPM Res)	Turnover Capacity (in gal.) 8 Hour	Gravel Required (lbs.)	Sand Required (lbs.)
140315	TR100C	4.91	98	47,040	150	450
140316	TR140C	7.06	141	67,680	275	650



140315 TR100C Sand Filter Only - 98 GPM
26-1055 2" Multiport Valve 125 GPM for TR100C



140316 TR140C Sand Filter Only - 141 GPM
26-1050 2" Hi Flow Multiport Valve 150 GPM for TR140C

PREMIUM AQUAQUARTZ POOL FILTER SAND / GRAVEL (FORMERLY BEST SAND)

AQUAQUARTZ pool filter sand is the worry-free, hassle-free choice to keep swimming pools clean and crystal clear. A premium pool filter sand, which does not stain, ensures easy maintenance at a lower cost by filtering direct dust, algae, suntan lotion, oil, leaves and insects.



This ecologically safe pool sand does not solidify and will help to prevent clogging. Inert, odorless 100% natural sand does not have chemicals. It can be easily backwashed.

Choose AQUAQUARTZ pool filter sand for residential and commercial sand filters.

Benefits:

- Standard #20 grade available for typical use
- UPC coded for retail stores
- Packaged in the most durable 50 lb. plastic bags that can be stored outside without UV degradation
- Shipments tested for the required size
- Meets AWWA B100 recommendations

1635 AQUAQUARTZ Filter Sand 50 lb.

56

110975 CSG Gravel 50 lb. 0.25 x 0.125

56

*There is a less than pallet charge of .25¢ per bag handling for pick-up and delivery.

FULL-FLO BALL VALVE

Corrosion-resistant ball valves with teflon seats for positive sealing and smooth operation. Handle turns 90° from on to off and serves as visual indicator of valve setting. Has union end for easy disassembly or disconnection of piping.



The Trimline Ball Valves are all two-way economical ball valves. Included in this series are the SP722, SP722S, and SP723.

The Deluxe Full-Flo Ball Valve is a heavier duty valve available in 4-way flow.

SP0722 2-way, 1 1/2" FPT x 1 1/2" FPT

SP0722S 2-way, 1 1/2" Skt x 1 1/2" Skt

SP0723 2-way, 1 1/2" FPT x 1 1/2" MPT

SP0735 4-way, 1 1/2" FPT x 1 1/2" FPT

PVC BALL VALVE

A compact, high quality, quarter-turn ball valve. Maintenance free construction includes permanently sealed ball, teflon ball seats, and heavy-duty handle.



HMIP150SE

2-way, 1-1/2" Skt
x 1-1/2" Skt

HAYWARD PRESSURE GAUGES

Hayward pressure gauges - all 0-45 psi, 1/4".



ECX270861 6 o'clock

ECX27091 Back mount



ECX2712B1 Back mount w/dial

PRESSURE GAUGES

Available in 60 psi standard mount and 60 psi rear mount.



8962

Standard mount



8963

Rear mount

VARI-FLO VALVE

Unique three-way rotary valve offers low pressure drop and easy-service top entry. All valves have exterior threads on common port to accommodate optional flush union connector.



SP0714T 1 1/2", black,
Top-mount, clamp six-position valve
(Replaces SP711-13 and SP711-20
valves)

SP1500UNPAK2 Flush Union Connectors (2)

VARI-FLO VALVE

The Vari-Flo Valve is a unique six-position filter control valve constructed of totally non-corrosive materials.



SP0710XALL 1 1/2" ports, all ports threaded

SPX0710X32 Valve for S200, S240 Filters

SP07121 Valve for S160T Filter

**PENTAIR VARI-FLO VALVES**

Side mounted Hi-Flow and Multiport valves are designed for maximum performance and working pressures.

Featured Highlights:

- PVC body
- The right valve for easy operation
- Six-position, positive-lock operation
- Special winterizing position

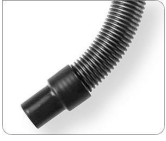
26-1050 2" Sand Hi Flo Multiport
Valve
(For TR140C filter)



26-1055 2" Sand Multiport Valve
(For TR100C filter)



FILTER FLO BLACK-SILVER CONNECTION HOSE



Specially formulated spiral wound filter connection hose designed for pump to filter and intake/return filter connections. Separate, soft durometer EVA cuffs are welded to the hose for leak-proof, easy to install connections. Two tone black and silver color scheme blends with existing pump and filter decor, and contains the latest U/V additives.

C150-3 Hose 1-1/2" x 3'
24 per case

C150-6 Hose 1-1/2" x 6'
12 per case

BACKWASH HOSE



Collapsible vinyl hose ideal for directing backwash discharge. Rolls up for compact storage.

QT-133 1-1/2" x 200'

QT-131 1-1/2" x 25'

6 per case

QT-132 1-1/2" x 50'

6 per case

QT-261 2" x 200'

.68/ft

IDEAL HOSE CLAMP



67-1 Series Stainless Steel Worm Drive Clamps features and benefits:

*1/2" wide, 300 series stainless steel band and Housing

* 5/16" hexhead screw made of 410 series stainless steel

*White boxes. Made in USA by Ideal.

6720-167 .75" to 1.75"

10 per box

6724-167 1" to 2"

10 per box

6736-167 .875" to 2.75"

10 per box

OTHER FLOWMETERS ARE AVAILABLE UPON REQUEST.

ECONO-UNION



Provides for connection and quick disconnection between poly pipe and threaded pipe or equipment.

SP1493 1-1/2" MPT x 1-1/2"
Insert (barbed)

UNION



Positive sealing all-purpose union. Unique ball-joint design allows for piping misalignments. Availability of different end connectors simplifies piping by eliminating unnecessary joints. Heavy-duty union nut makes connections fast and easy.

SP1480BLK 1 1/2" MPT x 1 1/2" MPT



SP1481 1 1/2" slip x 1 1/2" slip

FLUSH UNION



Positive face-to-face O-ring seal offers noninterfering connections for easy installation and future service. Ideal for joining rigid and semi-rigid piping systems.

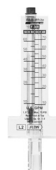
SP14952S 1 1/2" Skt,
2" slip x 1 1/2" insert



PV797-2 2" Sch 80 white
PVC union

FLOW METER

The F-300 Series Flow Meter is an accurate, pitot type flow meter with a permanently imprinted acrylic body and stainless steel bobbin.



F-30150P 1 1/2" pipe
10 to 70 GPM

F-30200P 2" pipe
20 to 120 GPM

F-30250P 2 1/2" pipe
29 to 150 GPM

F-30300P 3" pipe
45 to 240 GPM

F-30400P 4" pipe
75 to 420 GPM

F-30600P 6" pipe
170 to 1100 GPM

H2 FLOW VIS® FLOW METER



Know the flow. FlowVis® is a revolution in reliable flow measurement. It is the most advanced, affordable, and reliable precision flow meter designed specifically for pools, spas, fountains, and water features. Safety flapper version is a non-sealing flapper to be installed where an SVRS or automatic pump shut off system has been utilized to meet the VGBA for entrapment avoidance. Meters below: Scale in GPM.

FV-C 2 & 2.5" pipe

FV-C-15 1.5" pipe

*FV-C-S 2 & 2.5" pipe,

*safety flapper

*Note, that this model does not provide check valve functionality.



SPIRALITE SPA-FLEX POOL & SPA HOSE

Spa-Flex simplifies pool, spa, and jetted bathtub layouts & installations. Easily gets into hard-to-get-at spots. Is sun and mildew resistant. Coils for easy handling. Has less than 1% heat loss, saves energy. NSF non-toxic formulation.

710-0150 1-1/2" x 50' roll
710-0200 2" x 50' roll

Sold only in 50' lengths



SLIP ELBOW 90°

PV406-015 1-1/2" S x 1-1/2" S
25 per pack



SLIP TEE

PV401-015 1-1/2" S x 1-1/2" S x 1-1/2" S
25 per pack



SLIP COUPLING

PV429-015 1-1/2" S x 1-1/2" S
25 per pack
PV429-020 2" S x 2" S
25 per pack



SLIP ELBOW 45°

PV417-015 1-1/2" S x 1-1/2" S
25 per pack



PVC CEMENT

Medium bodied, clear cement for use on PVC pipe and fittings. Up to 6" for Sch 40 and Sch 80. Recommended for ALL grades and types of PVC pipe and fittings, gas, conduit, drain, waste and vent pipe, pressure pipe and potable water.

1236S Clear PVC glue-qt.



FLEX PVC CEMENT

Medium bodied, blue colored cement for PVC pipe and fittings. Up to 6" for Sch 40 and Sch 80. Very fast setting cement formulated for wet conditions. Color fades to clear in sunlight. No primer needed on non-pressure DWV, where local codes permit. Works on flex to rigid pipe applications.

2336S Flex-blue cement-qt.



LOW VOC CLEAR PVC PRIMER

A clear aggressive primer for use on PVC and CPVC pipe and fittings. All schedules and diameters. Exceeds new environmental requirements. Removes all surface dirt, grease and grime as well as softens pipe in preparation for solvent cement.

9336S Clear primer-qt.

PROPER PIPING CONNECTIONS MAKING UP PLASTIC JOINTS

The following procedures, along with the use of recommended joining materials especially formulated for plastic fittings, will ensure strong, leak-proof systems.

THREADED JOINTS

If you use:

Permatex No. 2

Normal Fit: Apply liberal coat to male thread only.

Loose Fit: Apply two coats allowing first coat to partially set before adding filler coat.

If you use:

Teflon Tape

Normal Fit: Wrap 3-3 1/2 full turns in clockwise direction.

Loose Fit: Add another one or two full wraps.

PLASTIC TO PLASTIC

Screw the fittings together as far as possible hand tight*. Then, one more full turn using a strap wrench or small pipe wrench. This is all that is needed for a good joint.

*Note: Hand tight is to tighten as far as possible with a "strong" hand.

PLASTIC TO METAL

Follow same steps as a plastic-to-plastic joint, with these exceptions:

- Use a male adapter or male plastic fitting into a female metal thread whenever possible.
- Never use a male metal threaded end into a female plastic thread if heated water of any degree is involved. The different expansion rates could cause leaks.

Note: If using Teflon tape, be sure to clean or de-burr any rough metal threads to prevent ripping or tearing of the tape during thread makeup.

Over-tightening is never good and is unnecessary if the proper sealant is used.

Finally, most common plumbers' oil-based pipe dope compounds should not be used with plastic pipe, valves or fittings.

Fittings

MPC



MALE ADAPTER

PV436-015 1-1/2" S x 1-1/2" MPT

25 per pack



INSERT COUPLING

1429-015 1-1/2" insert coupling

25 per pack



STREET ELBOW

PV410-015 1-1/2" S x 1-1/2" MPT

25 per pack



PIPE EXTENDER REPAIR FITTING

PEX150 Repair Fitting 1-1/2"

48 per pack



STREET ELBOW 90°

PV409-015 1-1/2" S x 1-1/2" male slip

25 per pack



INSERT TEE

1401-015 1-1/2" Insert tee

10 per pack



FEMALE ADAPTER

PV435-015 1-1/2" S x 1-1/2" FPT

25 per pack



INSERT ELBOW

1406-015 1-1/2" Elbow

10 per pack



NIPPLE

PV80-1.5CL 1-1/2"/Close

25 per pack

PV80-1.5X3 1-1/2" X 3"

25 per pack

PV80-1.5X4 1-1/2" X 4"

25 per pack



COMBINATION ELBOW

1413-015 1-1/2" Elbow

10 per pack



REDUCING BUSHING

PV437-251 2" S x 1-1/2" S

25 per pack



INSERT MALE ADAPTER

1436-015 1-1/2" Adapter

20 per pack



AMERICAN GRANBY TEFLON TAPE

White teflon tape reliably seals threaded plastic joints. Stays flexible, never dries out.

HTST520-.5 1/2" x 520" roll

12 per pack



INSERT FEMALE ADAPTER

1435-015 1-1/2" Adapter

15 per pack



EQUALIZER VALVE

Seals skimmer equalizer line — opens to protect pump when water level is below intake to skimmer.

SP1078 Equalizer Valve

FITTING RECEPTACLE

Available in many different styles. All are white plastic with 2" straight pipe thread on the outside and 1 1/2" straight pipe thread on the inside to accept a directional fitting, plug, grate insert, outlet cover, or jet-air hydrotherapy fitting.



SP1022 is for use with concrete pools. 1 1/2" FPT connection.

SP1023 has gaskets and a locknut for use with vinyl, FG, metal, wood, or fiber panel pools. 1 1/2" FPT connection.

SP1408 has a gasket, faceplate, and locknut/spacer for use on vinyl, wood, or metal pools with walls up to 3/8" thick. 1 1/2" FPT connection.

SP1022
SP1023
SP1408

DIRECTIONAL FLOW INLET FITTING

Adjusts to direct flow of incoming water. White plastic with 1 1/2" MPT.



SP1419A Slotted Orifice
SP1419B 3/8" Orifice
SP1419C 1/2" Orifice
SP1419D 3/4" Orifice
SP1419E 1" Orifice
SP1419T Seat Tool

FLUSH PLUG

White plastic 1 1/2" Flush Plug with gasket.



SP1022C Plug w/o ring

OUTLET FITTING GRATE INSERT

White plastic 1 1/2" grate. Not for use on spa or hot tub suction outlets.



SP1026 Grate Insert

EXTENSION DECK COLLAR

Extends skimmer cover to make it flush with deck. For use with SP1082, SP1084-1, and SP1085-2 skimmers.



SP1084P1 Collar

SKIMMER REPLACEMENT WEIR

Skimmer replacement weir with spring-loaded rod to hold weir in place.



B8506 Weir 6"
B8508 Weir 8"
B8550 Weir 8-3/8"

SKIMMER

Rugged plastic skimmer for residential and commercial pools.



The SP1082 Skimmer is for concrete and gunite pools. It has a 2" pump outlet and 2" equalizer outlet. Throat is 6" long and opening is 7 1/2" wide.

The SP1084-1-OM Skimmer is for panel pools. It has an 1 1/2" pump outlet and 2" equalizer outlet. Throat is 8 1/2" long and opening is 7 13/16" wide. Comes with lock tabs and close flange for thru-wall outside mount.

SP1082 Skimmer
SP10841OM Skimmer

AUTOMATIC SKIMMER

Above ground pool skimmer with heavy duty UV resistant ABS construction. Dyna-Skim features include large debris collection basket, top and front basket access, one piece construction with snap-in and removable weir, 1 1/2" female straight pipe threads and quick disconnect pipe connection. Compatible with wide top seat pools.



SP1091LX Skimmer
SP1091WM Wide Mouth

WIDE MOUTH THRU WALL SKIMMER

Complete skimmer assembly includes all gaskets, hose adapters, face plates, face plate screws, teflon tape, flap weir, debris basket and top cover. Includes the complete pool skimmer housing consisting of the skimmer body and the wide mouth extension. Also includes complete return assembly with directional eye-ball, gaskets and fittings. Dimensions for the wide mouth are 14" x 7-1/2" outside dimensions with 12" x 5-1/2" opening. Includes complete, easy to follow instructions with opening template.



8939 Wide Mouth Skimmer

SKIMMER EQUALIZER

Skimmer equalizers made of NSF Rated PVC. Available in both slip or threaded. White with a 6 inch face.



640-8240V Threaded
640-8250V Slip



HAYWARD SUCTION OUTLETS

For concrete or vinyl/fiberglass pools, Hayward NSF listed suction outlets are available in a wide range of styles and sizes to satisfy any installation requirement. Whether you install frame and covers, for residential or commercial pools, or sump-type outlets, Hayward suction outlets set the standard in quality and value.

All Hayward WG series suction outlets and replacement covers are VGB compliant and are tested to ASME A112 19.8b-2009 and ANSI/APSP-16 standards as well as meeting CPSC requirements.

SUCTION OUTLET (Concrete)

WG1051AVPAK2 cover dimension of 7-7/8" dia., cover open area 8.1" side outlet of 1-1/2" FIP, bottom plug 1-1/2" FIP.

WG1051AVPAK2 2-Pack

SUCTION OUTLET (Vinyl/Fiberglass)

WG1048AVPAK2 cover dimension of 7-7/8" dia., cover open area 8.1", side outlet of 1-1/2" FIP, and bottom plug 1-1/2" FIP.

WG1048AVPAK2 2-Pack

HAYWARD HIGH FLOW FRAMES & COVERS (Concrete)



Hayward's High Flow covers have some of the highest ASME approved flow rates. Each size and flow design cover retrofit to existing Hayward frames and are designed for an extensive 7 year life span.

All Hayward WG series suction outlets and replacement covers are VGB compliant and are tested to ASME A112 19.8b-2009 and ANSI/APSP-16 standards as well as meeting CPSC requirements.

WG1032HF2PAK2 includes a 12" x 12" cover, inner frame and outer frame in a pack of 2.

WG1033HF2PAK2 includes a 18" x 18" cover, inner frame and outer frame in a pack of 2.

WG1032HF2PAK2 2-Pack

WG1033HF2PAK2 2-Pack

COLLECTOR TUBE

Screws into bottom outlet of main drain to provide coarsely filtered water to the hydrostatic relief valve. 12" long with 1-1/2" / 2" MPT.

SP1055 Collector Tube



WATERWAY FRAMES & GRATES

Pool frame and grates available in 12" x 12" white or 9" x 9" white (VGB2008).



12" x 12" grate and frames are compliant with the VGBA Pool and Spa Safety Act (ASME/ANSI A112.19.8-2007) and are UL Certified. They are designed for single or multiple drain use. This grate assembly includes frame and stainless steel screws. Model 640-4720-V specs:

Total Open Area Square Inches	62.4
Floor Flow Rate GPM	356 @ 1.83 ft/sec
Wall Flow Rate GPM	280 @ 1.44 ft/sec
Flow Rate GPM @ 1.5 ft/sec	292

9" x 9" grate and frames are compliant to the latest Consumer Safety Product Commission requirement (CPSC). Listed, Certified and Tested in strict accordance to the requirements of ASME A112.19.8-2007 and ASME A112-19.8a-2008 as defined in CPSC letter dated April 8, 2011. Certified by UL.

Model 640-4790V specs:

Total Open Area Square Inches	43.6
Floor Flow Rate GPM	289
Wall Flow Rate GPM	208
Flow Rate GPM @ 1.5 ft/sec	203

640-4720V 12" x 12"

640-4740V Pool Grate ONLY

12" x 12", white

640-4790V 9" x 9"

HYDROSTATIC RELIEF VALVE

Spring-loaded Hydrostatic Relief Valve with leak-proof, self-cleaning seal. SP1056 is made of noncorrosive white plastic with O-ring seal.



SP1056 1 1/2" / 2" MPT

SP1056T Seat Tool

HAYWARD COLOR LOGIC 4.0 LED LIGHT

Color Logic 4.0 120 volt, color LED pool and spa lights are a terrific step up from white incandescent lights. They can last 10 times longer and are energy efficient - **saving pool owners as much as 79% on their energy costs.**

Color Logic 4.0 delivers impactful nighttime ambience with 5 fixed colors and 7 color-changing shows.

For in-ground pools and spas.

Stainless Steel Face Rim

SP0527SLED30 LED Light
30 ft. Cord



PARAGON SLIMLITE 5G LED UNDERWATER POOL LIGHT 500W

The Slimlite 5G LED Light from Paragon Aquatics is protected by an integral stainless steel protective grid facing. Each light is rigidly inspected and submersion tested for water tightness and performance. Every Paragon light comes with a low water cut-off thermostat. The Slimlite is designed for concrete pools and is UL listed when used with Paragon niches.

*Special
Order Only*



56400	30' cord
56401	50' cord
56809	Lens Gasket 8.375 inch

AMERLITE UNDERWATER POOL LIGHT

The Amerlite underwater pool light features a stainless steel shell, 8-3/8 in. prismatic tempered glass lens, and stainless steel face ring with unitension clamp. Each light has 120-volts, 400-watt bulb and is equipped with a low water cutoff device for safety.



The Light Ring Adapter will adapt an Amerlite to any metal or hand-formed fixture housing from 9 3/4" to 12" in diameter. Made with three brass retaining screws.

78448100 50' cord
78949100 100' cord

JUNCTION BOX

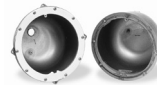
Specially designed junction box allows all connections to be made out in the open for easy splicing. Durable Lexan cover and a brass base with two 3/4" taps and one 1" tap.



783107 Junction Box

AMERLITE FIXTURE HOUSING

Non-magnetic, stainless steel fixture housing with internal and external ground wire connection for use with metallic or nonmetallic conduit.



Model 782315 (782325) has a standard hole pattern for metal wall vinyl liner pools. It has a 1" hub.

782315 Housing

Please note: Lights and niches are priced separately.

REPLACEMENT BULBS



R40FL300/12V 300W 12V
R40FL400/HG 400W 120V
R40FL500/HG 500W 120V



GLOBE TYPE
400G/FL 400W 120V



HALOGEN
650139Z 60W, Par 16
(100 watt equivalency)



QUARTZ LAMPS
JD250MC/120 250W 120V
Mini Can

Paint and Repair Material

MPC

SURFACE PREPARATION

The most important aspect of coating a pool is surface preparation. Your new coating will not adhere to even the slightest oily residue such as suntan lotion, body oils, hair spray, algae or anything that comes between the pool surface and the new coating. The best method for preparing your pool is described in the following steps.

STEP 1 WASH YOUR POOL

WASHING YOUR POOL is important to remove any existing oil residue. The best washing solution is Sanygen All Purpose Cleaner (tri-sodium phosphate) S-X5-5 mixed with warm water. NEVER use a soap-type detergent. Soap products leave a soapy film on the surface which will result in poor coating adhesion.

HOW TO WASH YOUR POOL

Mix eight ounces of Sanygen All Purpose Cleaner (tri-sodium phosphate) to each gallon of warm water. One gallon of this solution will wash approximately 200 square feet. Dip a long handled brush in this solution and firmly scrub the pool surface in approx. 10 foot sections. Rinse off the residue with clear water immediately after scrubbing. Be careful not to allow the pool washing solution to dry on the surface. Always scrub walls first and floor last. The next step is acid etching.

STEP 2 ETCH YOUR POOL

Acid etching is required on bare masonry surfaces like concrete or plaster. It is necessary to use acid etching to open millions of pores which allow the new paint coating to penetrate the old surface to secure a cohesive bond. In a plastic bucket add two gallons of water. Slowly pour one gallon of Sanygen Muriatic Acid (S-B1-04) into the water to arrive at a 10% etch solution.

Liberal brush the acid solution on the surface. The three total gallons of 10% solution should be sufficient to cover about 300 square feet. The acid will bubble on the surface when applied. As soon as this bubbling stops rinse the solution off with clear water. The surface should feel like fine sand paper.

STEP 3 WASH AGAIN

It is absolutely important that you wash the pool again after acid etching. The Sanygen All Purpose Cleaner (TSP) will neutralize all traces of acid left on the surface after etching. After the second washing allow the pool to thoroughly dry before painting.

PREPARING FIBERGLASS POOLS

To prepare a fiberglass pool for coating, sand the surface in straight lines with coarse sandpaper. (DO NOT use an orbital sander.) This sanding will create a mechanical bond for the epoxy coat. Once the fiberglass has been properly sanded, perform the pool washing procedure as described before. No acid washing is needed. Allow the surface to dry and you are ready to resurface your pool. Gunzite Primer (216) is recommended on fiberglass surfaces that have been sanded prior to coating with Zeron or Poxolon.

For complete step by step surface preparations call Miami Products and ask for Kelley Bulletin #141.

ESTIMATING THE QUANTITY OF PAINT REQUIRED

Below are the standard pool configurations, together with their corresponding simple formula, to figure the square feet in a pool. Keep in mind that the amount of paint you will need to cover your pool depends on the smoothness of its surface. The square-foot coverage of each type of paint will determine how much paint you will need.



Length x width x 1.65 =
total square feet



Length x width x 1.5 =
total square feet



Length x width x 1.6 =
total square feet



Length x width x 1.65 =
total square feet



Length x width x 1.55 =
total square feet

SANYGEN PH DOWN (MURIATIC ACID)



Sanygen pH Down (Muriatic Acid) is an economical and easy-to-use liquid that immediately lowers pH. It can also be used for various cleaning applications like removing metal and mineral stains from pool walls. In addition, Sanygen pH Down can be used for paint preparations on stubborn pool walls. Use rubber gloves and safety goggles when handling muriatic acid.

KEEP CASES AND BOTTLES UPRIGHT WHEN TRANSPORTING AND INSIST THAT YOUR DEALER DOES THE SAME.

S-B1-04 4/1 gallon case
48

10" WOOD DECK/ACID BRUSH



Versatile pool brush with acid-resistant polypropylene bristles. Ideal for acid washing pools and other heavy-duty cleaning. Accepts 54" tapered handle.

20180 Handle
20182 Brush



PREP MAGIC

Prep Magic is a one-step surface preparation solution that allows you to clean your surface without the extra steps of traditional surface cleaning. Simply mix Prep Magic with water, clean your surface and then rinse.

For bare concrete, marcite, gunite and plaster: Mix 1 gal. Prep Magic with 2 gals. of water. Always use a water-filled plastic container before pouring in the Prep Magic. This will clean & etch approx. 400 sq. ft.

For bare fiberglass and painted surfaces: Mix 1 gal. Prep Magic with 4 gals. of water. Always use a water-filled plastic container before pouring in the Prep Magic. This will clean & etch approx. 700 sq. ft.

For pool filters: Mix 1 gal. of Prep Magic to 5 gals. of water. Always use a water-filled plastic container before pouring in the Prep Magic. Soak for 1 hr. Rinse thoroughly and repeat as necessary to completely clean scum and mineral deposits.

NOTE: Always add Prep Magic to water when you dilute.

245-GAL Prep Magic



LEAK DETECTOR

Attaches to the end of straight or telescopic pole to detect leaks. Can also be used to spot treat algae and rust stains underwater. Kit includes red dye, spot treat bottle, and pole attachment.

151 Leak detector
12 per case



FIX-A-LEAK

Designed to seal leaks in just about anything. It works in any kind of pool, spa or hot tub. Seals leaks up to 1/8" in diameter. 1 quart seals leaks in up to 20,000 gals. Do not use in excess of 1 quart per 5,000 gallons of water. Cures in 24-48 hours.

FAL32 32 oz. bottle
12 per case



PERMASEAL JOINT FILLER

PERMASEAL is an off-white nitrile rubber caulking compound for repair of small cracks. Remains permanently flexible. It is not displaced by movement or expansion and is non-sagging. Permaseal has excellent adhesion to aluminum, vinyl, glass, wood, concrete and most clean materials. It can be continually immersed in water, exposed to sunlight and is resistant to weathering. Upon curing, this sealant can be top-coated.

Apply at temperatures over 40° F. Allow surface to dry thoroughly prior to application. Maximum use temperature is 175° F. Shelf life is approx. 6 months. Lineal feet per cartridge: 2 ft 3/4" x 3/4". The size of the joint dictates the actual coverage. The amount shown is intended as minimum application information. Dry time - to touch 24 hours. Curing continues at a rate of 1/16" per day. Full cure 4-7 days.

950 Permaseal
10 per case



POX-O-FILL EPOXY PUTTY

For permanent patching of concrete with superior bonding. Holds tightly underwater and cures more strongly than the concrete itself. Excellent anchoring compound for ladders and diving board stands. See Bulletin 134 for further information.

962-QT 1 quart
962-GAL 1 gallon



AQUAMEND POOL UNDERWATER EPOXY STICK

7 inch stick ideal for pool and spa repairs. Resin and hardener in same stick. Hand kneadable. Unaffected by chlorinated or salt water. Cures in 1 hour. Dries white. Can be sanded and drilled.

82093 7" Epoxy stick
12 per case



THERMOLASTIC JOINT FILLER

A two-part polysulfide rubber material for filling expansion joints in concrete. It is long lasting and permanently flexible. See Bulletin 131 for further information.

Available in Type H for horizontal joints or in Type V for vertical joints. Type V is available by special order only.

Coverage: One gallon fills 231 cubic inches (25 feet x 3/4" deep x 1" wide).

935-H-GAL Type H, gal.



FOAMLITE

Tubular polyethylene foam joint filler. Ideal for use under Thermolastic. Select foam 1/4" larger than joint to allow for compression.

934-.75 3/4" diameter
934-1 1" diameter

Paint and Repair Material

MPC

Kelley Technical Coatings is proud to announce its entire Olympic Pool Coatings line is VOC compliant.



POXOPRIME II PRIMER

Poxoprime II is a two-part epoxy primer for bare swimming pool surfaces such as plaster or concrete. Poxoprime II works equally well when surfaces are wet; however, Poxoprime II will NOT block hydrostatic pressure such as underground streams. Poxoprime II should be top coated with either two coats of Poxolon or one coat of Zeron as a finish. See Bulletin 116 for further information.

Coverage: 200-250 square feet per gallon.

214-GAL 1 gallon



ZERON EPOXY PAINT

A heavy-duty epoxy pool coating for all interior pool surfaces. Only requires one coat over primer. It yields a high gloss finish to unexcelled brilliance with a 6- to 8-year life span.

Request technical bulletins #100, #104, #105, and #119 for more information on painting with Zeron.

Coverage: 125-150 square feet per gallon.

390-GAL White, 1 gallon
 391-GAL Blue Ice, 1 gallon
 392-GAL Bikini Blue, 1 gallon
 399-GAL Black, 1 gallon



GUNZITE PRIMER

Primer for new gunite and rough surfaces. Base coat for Poxolon and Zeron. See Bulletin 118 for further information.

Coverage: 100-150 square feet per gallon.

216-GAL 1 gallon



POXOLON 2 EPOXY PAINT

Poxolon 2 is a high gloss epoxy pool coating that is easy to apply and should yield up to 5 years of service. This finish is very easy to clean, as is the case with all epoxy pool coatings. You may use Poxolon 2 on most conventional pool surfaces with excellent results. Uncoated pool surfaces will require a prime coat to ensure good adhesion. Recommended for use by pool service companies and the do-it-yourself pool owner. Use with primer on concrete, plaster, fiberglass, and metal pools. Two finish coats of Poxolon 2 are required in all cases. Poxolon 2 may be applied by either airless sprayer or roller.

Request technical bulletin #114 and #115 for more information on painting with Poxolon 2.

Coverage: 225-250 square feet per gallon.

2222-GAL White, 1 gallon
 2228-GAL Bikini Blue, gal.
 2226-QT Black, quart
 2226-GAL Black, gallon



FUSION PLUS

CONVERTING RUBBER BASE TO EPOXY

FUSION PLUS is a two-part epoxy transition coat for use over sound rubber base paint. Do not apply over acrylic or other unknown coatings. FUSION PLUS should be top-coated with two coats of POXOLON or one coat of ZERON. FUSION PLUS acts as a barrier coat to cover rubber base painted pools to a more durable epoxy finish. Be sure all rubber base paint is thoroughly covered with this product before applying finish coat.

Coverage: 225-250 square feet per gallon.

260-GAL Fusion Plus

MPC has all the painting bulletins available upon request. Just call the office.

- #100 Zeron Epoxy Coating as an Alternative to Plaster Finish
- #104 Application Fundamentals of Epoxy Coatings
- #105 ZERON and POXOLON 2 on Unpainted Concrete, Sandblasted Concrete, and Plaster Pool Surfaces
- #114 POXOLON 2 or ZERON (EPOXY) Coatings on Aluminum
- #115 POXOLON 2 and ZERON on Steel Surfaces
- #116 214 POXOPRIME II
- #118 216 GUNZITE Primer: Primer for New and Other Rough Surfaces
- #119 The Application of ZERON-POXOLON 2 or PARALON 2-OPTILON on Previously Painted Pools
- #125 SUPER CONVOY Non-Slip Coating for Steps, Wading Pools, Shower Floors, and Pool Decks

POXODELIC PAINT

Epoxy coatings used for painting murals, depth markers, racing lanes and designs on pools painted with epoxy paint.



Coverage: 225-250 square feet per gallon.

2201-QT Red Pepper
qt. w/cat.

2201-GAL Red Pepper
gal. w/cat.

2212-GAL Viking Blue
Poxolon, gal.



DIVING BOARD REFINISHING KIT

A kit with the supplies needed to restore the non-slip coating of one diving board.

Each kit contains Convoy paint, special Convoy roller, solvent, and instructions. Includes cleaning prep material.

KEL-U100 Kit, white
KEL-U101 Kit, blue

PATIO TONES DECK PAINT

PATIO TONES will greatly enhance the beauty of any concrete patio or pool deck. Plain or worn concrete gives a dull and uninteresting appearance, detracting from the ambiance of the area. PATIO TONES adds life as well as protection.



Simply make any necessary repairs, clean the deck according to label instructions, and roll on PATIO TONES. The acrylic formula lets you prepare and coat in one day. The result will be a surface that is safe, beautiful and protected.

Coverage: 90-125 square feet per gallon depending on surface porosity. Available in 5-gallon and 1-gallon containers. Two coats required on initial application.

Available in these attractive colors:
White, Ivory, Silk Straw, Desert Sun, Sand Valley, Creekstone, Champagne, Mystic Gray, Warm Biscuit.
*Cream Peach, Smokey Blue, and Coral have been discontinued. They will be special color order only.

*SPECIAL ORDER ONLY

All colors 1 gallon



EPOXY SOLVENT

Solvent for Zeron, Poxolon, Poxoprime, Gunzite, and Pox-O-Fill.

1109-GAL 1 gallon

CONVOY NON-SLIP PAINT

Convoy is a heavy-bodied, non-slip epoxy coating for coping, diving boards and shower room floors. See Bulletin 125 for further information.



Coverage: 90-110 square feet per gallon.

368-GAL White-1 gallon

SKID MIX NON-SKID ADDITIVE

Skid Mix is an additive for slip resistance specially formulated for easy mixing and application in pool enamel, helping to prevent slips and falls. Simply add one quart of Skid Mix per one gallon of paint. Apply to any surface that needs a non-skid coating such as decks, steps, and floors.



Use 1 gallon per 5 gallon of pool enamel
Use 1 quart per 1 gallon of pool enamel
Use a 1/2 pint per quart of pool enamel

905-QT 1 qt. container

ROLLER COVERS

Solvent resistant, 9" roller covers.



RT-9R-32 Pox, Paralon
1/2" nap

Hi solvent 9" roller cover 1/2" nap. For extended use.

X87009 Hi solvent roller 1/2"

5 GALLON BUCKET

Plastic 5 gallon bucket for pool cleaning and painting.



43666B Bucket

DUCTAPE

Neutral aluminum color Ductape has high moisture resistance and good flexibility.



HDT-2-60 Roll 2" x 60"
12 per case

10" WOOD DECK/ACID BRUSH

Versatile pool brush with acid-resistant polypropylene bristles. Ideal for acid washing pools and other heavy-duty cleaning. Accepts 54" tapered handle.



20180 Handle
20182 Brush

VINYL ADHESIVE

Liquid vinyl adhesive with dauber for bonding and mending vinyl. Works underwater.



30277 Vinyl Adhesive
4 oz.

12 per case

VINYL POOL REPAIR KIT

2 oz. Liquid vinyl adhesive, dauber applicators, and vinyl patching material. Can be used underwater.



8810 2 oz. patch

12 per case

VINYL REPAIR KIT

Mends pool liners, covers, inflatables, etc. Includes two adhesives, patch material, and applicator for patch or patchless repairs. Can be used underwater.



8815 4 oz. patch

12 per case

QUICK-PATCH POOL PATCHES

These transparent pressure sensitive patches will adhere to either wet or dry surfaces (patches underwater). Contains over 100 square inches.



30278 Pool Patches

24 per case

**HAYWARD
PRO SERIES AG
FILTER SYSTEM**

Pro Series sand systems are designed and equipped to offer the ideal combination of energy efficiency and outstanding water clarity.

System Features:

- * Systems are designed for quick assembly and precise alignment of components
- * Pumps and filters are performance-matched to provide maximum flow and energy efficiency
- * Multi-position valve provides maximum flow at low pressure drop
- * Durable filter bases for long-lasting, all-weather performance

S180T1580X15S includes: 18" polymeric tank, 7-position filter control valve, 1-1/2 HP Power Flo LX pump, one piece deluxe base, 1-1/2" hose package.

S230T1580X15S includes: 23" polymeric tank, 7 position filter control valve, 1-1/2 HP Power Flo LX pump, one piece deluxe base, 1-1/2" hose package.

S180T1580X15S 1.5 HP Filter System
S230T1580X15S 1.5 HP Filter System

**HAYWARD POWER-FLO LX**

The Power-Flo LX pump series is designed for the rigors of above-ground and on-ground type swimming pools. Combining durable construction with advanced features and options, Power Flo LX sets the standard for value and performance.



Model Number	Pump Output (GPM) vs. Total Resistance to Flow (Feet of Head)				
	10 ft.	20 ft.	30 ft.	40 ft.	50 ft.
SP1580	86	86	75	58	27
SP1580X15	91	91	80	62	32

Model Number	H.P.	Voltage	Pipe Size	Dim. "A"	Cord Size
SP1580	1	115	1-1/2"	10-1/8"	6'
SP1580X15	1-1/2"	115	1-1/2"	10-5/8"	6'

Pump Features

- Durable housing for all-weather performance and quiet operation
- Clear cover lets you see when basket needs cleaning
- Drain plug for easy maintenance of pump

SP1580 Pump 1 HP w/cord
SP1580X15 Pump 1.5 HP w/cord

AUTOMATIC SKIMMER

Above ground pool skimmer with heavy duty UV resistant ABS construction. Dyna-Skim features include large debris collection basket, top and front basket access, one piece construction with snap-in and removable weir, 1 1/2" female straight pipe threads and quick disconnect pipe connection. Compatible with wide top seat pools.



SP1091LX Skimmer



SP1091WM Wide Mouth Skimmer

**BUTTERFLY WEIGHT
VACUUM HEAD**

Weighted butterfly vac head fits both 1-1/4" & 1-1/2" hose.



8131 AG Vac Head
12 per case

VALTERRA SLIDE VALVE

Ideal for above-ground pools. Allows a quick shutoff of water into pump when access is needed to remove the basket for cleaning. 1 1/2" FPT x 1 1/2" MPT works with regular hose connectors.



7108X Slide Valve
1 1/2" FPT x 1 1/2" MPT black

**TAYLOR RESIDENTIAL
TEST KITS****sureCHECK™ SAFETY TEST™**

Handy three-way test kit for accurate testing of chlorine/bromine and pH.



K-1000 Safety Test™ kit
24 per case

Replacement Reagents K-1000 Test

R-0600-A OTO (.75 oz.)
24 per case
R-0014-A Phenol Red (.75 oz.)
24 per case

sureCHECK™ SAFETY PLUS™

Tests for chlorine/bromine, pH, acid and base demand, total alkalinity.



K-1003 Safety Plus™ test kit
12 per case

Replacement Reagents for K-1003

R-0600-A OTO (.75 oz.)
24 per case
R-0014-A Phenol Red (.75 oz.)
24 per case

Above Ground Pool Accessories

MPC



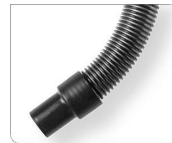
POOL LINER COPING STRIPS

Pool liner coping strips clampack package. Includes 25 coping strips - 24" strip.

89151 Coping strip pack

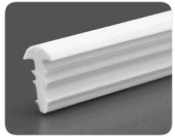
FILTER FLO - BLACK SILVER CONNECTION HOSE

Specially formulated spiral wound filter connection hose designed for pump to filter and intake/return filter connections. Separate, soft durometer EVA cuffs are welded to the hose for leak-proof, easy to install connections. Two tone black and silver color scheme blends with existing pump and filter decor, and contains the latest U/V additives.



C150-3 Hose 1-1/2" x 3'
24 per case

C150-6 Hose 1-1/2" x 6'
12 per case



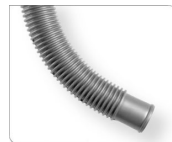
LINER BEAD WEDGE LOCK

White flexible vinyl designed as a wedge (or shim) to secure liner bead to coping track. Comes in 120' bag. Can be easily cut to any length.

8911 Wedge Lock

HEAVY SILVER FILTER CONNECTION HOSE

The original reliable, heavyweight replacement hose made specifically for pool filter connections, featuring: heavyweight, pressure tested at 130°F, seamless one-piece construction, special integrally molded leak-proof cuffs with tapered I.D. and shrink rings for easy installation, maximum U/V inhibitors and anti-oxidants, precut lengths for proper fit on all installations, 3' & 6' lengths packaged individually in printed poly bags.



Y793 Hose 1-1/2" x 3'
40 per case

Y794 Hose 1-1/2" x 6'
35 per case



THERANIMAL FLOATING THERMOMETER ASSORTMENT

Soft molded assortment includes 4 styles (shark, penguin, duck, saliboat). Dual range Fahrenheit and Celsius scales on basic thermometer with polyethylene cord.

9221 Asst. Thermometers
12 per case



FOOT BATH

Keeps dirt and debris from getting into the pool. Great for pool parties!

FB-1 Foot bath



SPRAY ADHESIVE

Repositionable BLUE pressure sensitive spray adhesive. One side bonds in 8 hours, aggressive tack, low soak in. Covers 100 sq. ft. Ideal for pool liner installation.

BLUE 72 Spray Adhesive



TELESCOPIC POLE

2-piece, strong telescopic pole. Anodized aluminum with both inside and outside locking cams and comfortable handgrip.

8356 Pole (8'-16')
12 per case



FORGE LOOP VAC HOSE

The most affordable premium grade spiral wound hose in its class. Forge Loop, backed by a three year warranty, features a thick crown for extra wear and abrasion resistance and a smooth interior design for maximum water flow. PE copolymer material formulation ensures ultraviolet and chemical protection. For all types and sizes of in ground and above ground residential pools. 1 1/2" available from inventory with a swivel cuff.

FL125 1-1/2" x 25'
FL135 1-1/2" x 35'
FL150 1-1/2" x 50'



PLASTIC WALLBRUSH

18" deluxe floor and wall brush. Straight design, heavy duty one-piece construction with nylon bristles.

8210 Wallbrush
12 per case



LEAF SKIMMER WITH HANDLE

Leaf skimmer with 48" aluminum handle provides 63" reach.

8055 With 4' handle
24 per case

RESIDENTIAL VINYL LINER SPECIAL LADDER



Ladder frames shall be fabricated of 1.90" O.D. x .049" wall, 304 S/S tube with mirror finish. All bends shall be 6" radius. Ladder frames shall extend from pool wall 6 1/2". Upper ends of frames shall be secured to pool deck with two anchor sockets on 20" centers. Lower ends of frames shall be bent to meet pool wall and fitted with two white rubber bumpers.

VLLS-103-S 3-step stainless

DECK MOUNTED STAIR RAIL

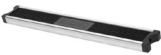


Stair rail shall be fabricated of 1.90" O.D. x .065" wall, 304 S/S tube with mirror finish. All bends shall be 6" radius.

Order anchor sockets and escutcheons separately.

DMS-102A Deck-mounted Stair Rail

LADDER AND SLIDE ACCESSORIES



LTDF-103 Stainless Steel Tread



LTDF-101 Plastic tread only



60-701 S.S. ladder bolts 4/set
60-703 Plastic ladder bolts 4/set



36630 Water tube for slide - 12 feet
6 per case



36631 Spray kit for pool slide
6 per case

SLIDE FLANGE

White cyclac flange 3" deep for 1.90" tubing to mount slides or ladders. Comes with hardware.



PF-25-A Anchor flange w/ hardware

SLIDE FLANGE

Metal flange 3" deep for 1.90" tubing to mount slides or ladders. Comes with hardware.



PF-3119-A Flange w/hdwr.

ESCUTCHEON

Decorative cover plate for anchor sockets.



PE-0019-W White cyclac plate

PE-0019-C Chrome plated cyclac plate

ANCHOR SOCKET

Secures ladder or handrail to deck.



PS-4019-C 4" Aluminum

PS-4019-B 4" Bronze



PW-4C Hanover Wedge Assy. for 4019

RUBBER BUMPER

Fits all residential and commercial pool ladders. Sold separately.



WRB-100A Standard Bumper White



BRB-100EX X-pand and lock Bumper (blue)



MERLIN INDUSTRIES, INC. INGROUND LINERS

All Merlin Liners are made of 100% Virgin Vinyl, formulated and treated for extra Ultra Violet protection and conditioned with antibacterial agents to prevent staining. Merlin's production process is computer controlled, with advanced state-of-the-art CAD drafting systems and automatic computerized cutting machines. Merlin's highly automated process ensures quality manufacturing with extremely small tolerances and maximum speed efficiency.

VINYL LINER PRICING - Square Ft.

00000 - 00400
00400 - 99999

Mandatory Safety Packet

- Vinyl-covered step/bench/Sunshelf (Under 12')
- Vinyl-covered step/bench/Sunshelf (under 12')-textured
- Vinyl-covered step/bench/Sunshelf (12' - 20")
- Vinyl-covered step/bench/Sunshelf (12' - 20")-textured
- Vinyl-covered step/bench/Sunshelf (over 20')
- Vinyl-covered step/bench/Sunshelf (over 20')-textured
- Wedding cake steps (any size)
- Wedding cake steps (any size)-textured
- Each additional tread
- Each additional tread-textured

Liner Feature Upcharges

- Step Tread Stripe-Each
- Tile on Step Riser-Each
- Safety Ledge
- Roman Ends
- Extra Depth-over 8' 6"
- Cut Down Wall-less than 39"
- Add Wall-more than 41" up to 95"
- Sloped Shallow End
- Overlap-6" is standard
- Drop Wall for Automatic Cover
- Reverse Bead
- Cove Around Shallow End
- Race Stripe -Up to 40'
- Break Line Stripe - Up to 20'
- Depth Marker on Tile-Each
- Straight Slope
- Multiple Depth or Tiered Bottoms
- Vinyl Covered Bar Stool
- Liner Step Ledge

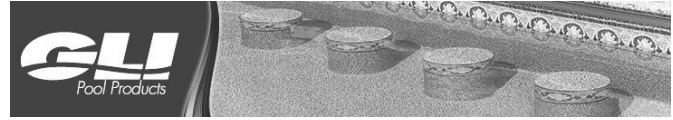
Pattern Upcharges

- Aqua-Max Material
- Aquaintense Luster Value Max (Holden Beach)
- Aquaintense Luster (Opal Bay)
- Aquaintense Luster (Caswell Beach)
- Aquaintense Luster & Texture (Shelter Cove, Sterling Shore)

- 27 Mil Wall
- 27 Mil Floor
- All 27 Mil Wall & Floor
- Bottom Pattern to Tile
- Mix and Match Patterns
- Tri-Colored Liner
- Tye Dye Pattern
- Dark Blue Pattern
- Black Pattern (Waiver required)
- All Bottom Material

No Up-Charge

GLI INGROUND LINERS



The Importance of a Perfect Fit

The better the inground liner fits, the better it looks and wears. GLI utilizes sophisticated computer design and cutting systems. This ensures that your liner is custom-fit to your order every time, even around details like steps, cut-outs and other water features.

Liner Quality

Using only 20 or 28 mil virgin vinyl, GLI craftsmen employ state-of-the-art radio frequency equipment. This ensures that every seam is sealed to last. Special UV inhibitors in the liners help them hold up to the harsh environment in your pool and resistance to sunlight, bacteria, fungus, chemicals and the cold. All GLI liners undergo rigorous inspection to ensure flawless liners every time. 25 year limited warranty/3 years full.

VINYL LINER PRICING

- Destination Series 20/20 Mil per foot
- Destination Series 28/28 Mil per foot
- Signature Series 28/20 Mil per foot
- Signature Plus Series 28/28 Mil per foot

Additions

- Up to 12' Wide Vinyl Covered Step
- 13' to 20' Wide Vinyl Covered Step
- 20' to 25' Wide Vinyl Covered Step
- Up to 9' Inside Corner Vinyl Covered Step
- Larger than 9' Wide Inside Corner Vinyl Covered Step
- Roman End Step
- Cuddle Cove/Bench up to 8'
- Cuddle Cove/Bench over 8' (per linear foot)
- Sundeck up to 4' to 6' Long
- Sundeck 7' to 12' Long
- Sundeck 12' to 18' Long
- Standard Wedding Cake Step up to 10'
- Standard Wedding Cake Step Larger than 10'
- Concrete Step
- Overlap
- Over 42" Sidewall
- Roman End (priced per)
- Hopper End Depths over 9'
- Custom Upcharge (Kidney, Figure 8, Freeform or Irregular Shapes)
- Minimum Charge for liners less than 200 sq. ft.
- Safety Ledge- 4" or more
- Safety Ledge for Freeform Pools
- Safety Stripe
- Non-standard Material Match
- Concrete Pools/One Piece Fiberglass Pools
- Multi-Depth Pools (more than 2 depths)
- Drop Wall for Negative Edge or Autocover
- For any feature not listed above

Quote Quote
Quote Quote

Quote Quote

Sure-Step Textured Step Material

- TrueStone
- Printed
- Safety Packet

RAYPAK 106 AND 156 POOL & SPA HEATERS

MODEL 106 - ANALOG For Above Ground Pools Only



Analog control-the round manual thermostat is the world's most popular thermostat. It provides precise and accurate performance. Simply turn the dial to desired temperature and let the thermostat take over. The thermostat is the main control point that determines when and how much heat will be produced to achieve desired comfort level of your pool. It is really the best of both worlds, simple operation with electronic accuracy and safety.

MODEL 156 - DIGITAL -Microprocessor-Controlled Thermostat For Small Pools

The Raypak 156 gas heater is equipped with a microprocessor-based control. It allows you to set your temperature at your preferred setting just by pressing an up or down control button. The digital display tells you when the water is being heated and notifies you when your temperature has been reached. The Raypak 156 is self-diagnostic letting the user know what is going on at all times. Compatible with most major pool control and remote systems.

Both models 106 and 156 have these items in common

Power Cord-factory wired with a three-prong 120V electrical cord. The power cord can be removed and the voltage transformer easily rewired for 240V operation.

Stainless Steel Burners-The burner is self-adjusting to compensate for gas pressure fluctuations, allowing the heater to always burn clean and safe.

Pilot Ignition-Use a spark-to-pilot ignition system. This is the most reliable and robust ignition system available today.

Heat Exchanger-Copper fin tube-residential. Copper is well known for its ability to transfer heat efficiently, and is the first choice for pool and spa heat exchanger construction.

P-R106A-AN-C Natural Gas Heater & Outdoor Top
P-R106A-AP-C Propane Heater & Outdoor Top
014357 Indoor stack top-special order only

P-R156A-EN-C Natural Gas Heater & Outdoor Top
P-R156A-EP-C Propane Heater & Outdoor Top
014358 Indoor stack top-special order only

THE RAYPAK DIGITAL - ASME HEATER



Raypak has state inspectors on-site daily performing certifications for our pool heater and commercial boiler production that may require ASME. Being in the boiler business for over 50 years truly makes Raypak the leader for your commercial needs. Why ASME? Most local codes require that public pools, pools that are in condominiums, apartments, or other commercial applications, be ASME certified. ASME stands for American Society of Mechanical Engineers, a non-profit group which sets many industrial and manufacturing standards. A pool heater that is made to ASME standards must perform to a set of specifications as determined by ASME, specifically in relation to the operating water pressure the appliance can handle. Each and every ASME heat exchanger that goes into a Raypak heater is certified by a state inspector to make sure it complies with all ASME codes for pool heaters.

B-R406A-EN-C-ASME AMSE Digital Heater
B-R206A-EN-C-ASME ASME Digital Heater

THE RAYPAK DIGITAL DIGITAL CONTROL

Microprocessor-Controlled Thermostat

The Raypak Digital gas heater is equipped with a microprocessor-based control center. This control allows you to set your pool or spa temperature precisely at your preferred setting just by pressing an up or down temperature control button. The digital display gives you a constant readout of your water temperature. Just set it, and forget it! Truly simple.

SELF-DIAGNOSTIC

Troubleshooting a Raypak gas heater has never been easier. The Raypak Digital has on-board diagnostic controls that let the user and the service professional know what is going on with the heater at all times. In the unlikely event that a problem develops, the digital display easily points out the problem and the probable cause.

BURNERS

Stainless Steel Burners

Burner design is a critical component in any gas heater. The stainless steel burner system used in the Raypak Digital is inherently forgiving and extremely robust. The burner is self-adjusting to compensate for gas pressure fluctuations, allowing the heater to always burn clean and safe.

COPPER FIN TUBE-RESIDENTIAL

The Raypak Digital is built to last with the highest quality integral copper fin tube available. Copper is well known for its ability to efficiently transfer heat, and is the first choice for pool and spa heat exchanger construction. Pure copper has stood the test of time as the industry standard for efficiency, quality and product life.

THE RAYPAK DIGITAL

W / POLYMER HEADERS, COPPER TUBING, ELECTRONIC IGNITION, NATURAL GAS, PROPANE GAS

The really smart heater with a brain! Some of the benefits include: digital control with liquid crystal display (LCD) for temperature selection and heater settings, Capron resin headers that prevent rust stains from harming pool surface, plumb directly from provided 2" PVC treaded union, smart micro-processor controls diagnostic readout and continuously monitors operating status, no condensation to harm heater, highly efficient, and guaranteed high-wind reliability. Outdoor top included. Indoor draft-hood available by order.

P-R206A-EN Natural – outdoor top
P-R206A-EP Propane – outdoor top
009838 Indoor draft hood for 206

P-R266A-EN Natural – outdoor top
P-R266A-EP Propane – outdoor top
009839 Indoor draft hood for 266

P-R336A-EN Natural – outdoor top
P-R336A-EP Propane – outdoor top
009840 Indoor draft hood for 336

P-R406A-EN Natural – outdoor top
P-R406A-EP Propane – outdoor top
009841 Indoor draft hood for 406

RAYPAK ELECTRIC SPA-PAK

Raypak's electric Spa-Pak is designed to provide pollution-free pool heating. Made with SS sheathed elements and all copper and bronze waterways to assure long, dependable, stain-free performance.



Heater Model	TEMPERATURE RISE PER HOUR SPA GALLONAGE		
	20°	25°	30°
ELLS-1102-2	225	180	150

ELLS-1102-2 11 KW, 240 volt

MINI TABLET FLOATING DISPENSER



For chlorinating or brominating spas and small pools. Holds 1" chlorine, bromine tablets or sticks. Has an adjustable control ring.

8715 Chlorinator
6 per case
18855 Screen f/160006

CLASSIC ANALOG THERMOMETER



Submersible or floating, with a removable float top this Premier analog model features a shatter resistant ABS body, flat faced clear-view acrylic window, and a posi-lock injection molded inner body.

25293 Thermometer
12 per case

JUMBO THERMOMETER



Jumbo easy read x-large 10" thermometer and cord.

9240 Thermometer
12 per case

THERANIMAL FLOATING THERMOMETER ASSORTMENT



Soft molded assortment includes 4 styles (shark, penguin, duck, sailboat).

9221 Assorted thermometers
12 per case

SPIRALITE SPA-FLEX POOL & SPA HOSE



Spa-Flex simplifies pool, spa, and jetted bathtub layouts & installations. Easily gets into hard-to-get-at spots. Is sun and mildew resistant. Coils for easy handling. Has less than 1% heat loss, saves energy. NSF non-toxic formulation.

710-0150 1 1/2" x 50' roll
710-0200 2" x 50' roll

Sold only in 50' lengths

FLEX PVC CEMENT



Medium bodied, blue colored cement for PVC pipe and fittings. Up to 6" for Sch 40 and Sch 80. Very fast setting cement formulated for wet conditions. Color fades to clear in sunlight. No primer needed on non-pressure DWV, where local codes permit. Works on flex to rigid pipe applications.

2336S Flex-blue cement-qt.

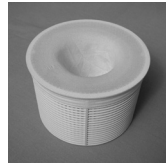
SUN SORB



Sun Sorb attracts body oils and lotions providing better water quality and longer filter cycles. For use in pools, spas and hot tubs to help eliminate the formation of waterline scum. Will not get clogged in water lines and is reuseable. Place in skimmer or free float in pool or spa water.

SS-1 Sun Sorb
24 per case

FILTER SAVER BASKET LINER



Stretch over existing skimmer basket and the fine mesh will collect pollen, insects, and debris. Allows better water flow and longer filter cycles. Fits most skimmer baskets and may be rinsed and reused.

FS-5 Filter Saver-5 pk.
24 per case

DURAMITT



A combination scrubby and sponge bonded to a durable, heavy duty waterproof latex mitt. Ideal for use on fiberglass, acrylic, vinyl, & tile. Large scrubbing surface to remove the toughest dirt, slime, & grime.

DM-1 Duramitt
24 per case

POOL 'N' SPA SCRUBBER



Comfortable hand-held, long-lasting scrubber pad.

8270 Scrubber
24 per case

MINI VENTURI VAC FOR POOL OR SPA



Venturi vac with wheels for small pools or spas. Use with 5 piece screw-on pole supplied or with conventional telepoles using supplied telepole handle.

8194 Mini Venturi Vac
12 per case

SANYGEN WINTERIZING SOLUTION



Use Sanygen Winterizing Solution to protect your pool and to simplify your spring cleanup. Each bottle includes complete directions for winterizing a pool. One-half gallon treats 10,000 of pool water.

1/2 gallon bottle
S-W1-02 6 1/2 gal.
6/5 gal. - 11
6/5 gal. - 48

SANYGEN SWIMMING POOL ANTIFREEZE



An antifreeze specifically for swimming pools. Sanygen Swimming Pool Antifreeze can provide freeze protection to -50° F.

1 gallon bottle
S-W4-04 4/1 gal. case
4/1 gal. case - 48
4/1 gal. case - 144

*This item
not available
in 2023*

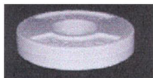
SANYGEN REFILLABLE CHLORINE CARTRIDGES

Sanygen Refillable Chlorine Cartridges come in 4-lb. sizes which fit virtually all automatic tablet feeders. Each cartridge contains 1" tablets with 90% available chlorine.



4 lb. cartridge
S-C2-4U 6/4 lb.

SANYGEN FLOAT RING



Fits S-C2-4U

Specially designed Float Ring to hold Sanygen Refillable Chlorine Cartridges for floating in pools. This ring will not accept E-Z Clor Super 90 Clor Pacs. Not recommended for use in vinyl liner pools.

S-FR Float ring

CALGON PUMP PROTECTOR

Easy-to-apply foam protects pump impeller from winter corrosion lock.



42990 10 oz. canister
12 per case

WINTERIZING PLUGS

Expandable rubber plug in several sizes for sealing pipe and fittings.

The SP1022C Threaded Plug is designed specifically to seal 1 1/2" fittings. Each SP1022C Plug comes with an O-ring to assure a tight seal.



SP204 3/4" - 1" Pipe
SP206 1" Fitting
SP207 1 1/4" Pipe
SP208 1 1/4" Fitting
SP209 1 1/2" Pipe; 1 1/4" Fitting
SP210 1 1/2" Fitting
SP211 2" Pipe
SP212 2" Fitting



SP1022C 1 1/2" Fitting
SPX1022CZ2 O-ring for SP1022-C

BLOW PLUGS

Non-corrosive construction of heavy duty nylon, stainless steel and high quality rubber. Brass stem. Seal the hole and blow air through the plug.



BP-8 Blow Plug, 1 1/2" Pipe
BP-9 Blow Plug, 1 1/2" Pipe, 1 1/4" Fitting
BP-10 Blow Plug, 1 1/2" Fitting
BP-11 Blow Plug, 2" Pipe

GIZZMO, GIZZMO-ULTRA, SUPER-2



Specially designed, sealed plastic cylinder threads into 1 1/2" opening in skimmer to seal skimmer line and to prevent skimmer damage from ice expansion. Super-2 threads into 1 1/2" or 2" opening. Gizzmo-Ultra offers the super duper solution with a built-in blowout tube. Same as Super-2 in size with both a 1 1/2" and 2" threads with o-rings.

Gizzmo-9 9" Gizzmo
24 per case

Super-2 16" Super-2
24 per case

Ultra-Gizzmo 16" with Blowout Tube
24 per case

CLOSEOUT

WINTERGUARD WINTER PLATES

Protect your thru-the-wall skimmer housing from ice buildup with the Winterguard winterizing kit. Stainless steel plate with gaskets included. Easy to install. Universal plate fits many skimmer models.



- 12842 Standard Skimmer Plate/Gasket
- 12862 Replacement Standard Gasket

WINTER COVER ACCESSORIES



Ratchet Cantar Ratchet, Winch for Winter Cover



SP002 Brass Anchor for Safety Cover

COVER SAVER PATCH

Designed to repair tears and abraded areas in mesh or solid safety covers. Each package contains 2 sheets: large patch size 5.75" W x 9" D.



UP-2 Repair patch

TIE DOWN ROPE

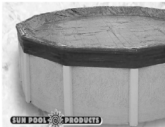
Heavy-duty winter cover tie down rope.



PR25-6 1/4" x 600' rope-roll

ABOVE GROUND WINTER COVER SAVER

Protects cover with a tight seal. Blocks wind and dirt. Helps keep water sparkling clean. Eliminates water jugs and weights. Extends cover life.



18432 Winter Cover Saver
24 per case

TECHNICAL PRODUCTS INSTALLATION TOOL

DIT Deluxe 3 Ft. Installation Tool-NEW & IMPROVED



DESIGN FORM MESH SAFETY COVER BY MERLIN

Safety and Strength

Impenetrable strength and taut fit. Children, pets and wildlife cannot enter the pool.

More Cost Effective Over Time

Tough, durable polypropylene comes with a 12-year limited warranty and outlasts 3 to 4 poly-bag type covers.

Beauty of Design

Safety pool covers are custom-designed to fit any shape, size, age or construction of pool.

Easy Installation and Low Maintenance

Requires minimal time to install. Cover does not hold water so pre-season pumping is eliminated and algae growth is greatly reduced.

Also available in a commercial grade mesh that is double the strength of any standard mesh safety cover. Available in black only, and has a 20 year warranty! Stock size covers.

DESIGN FORM SOLID SAFETY COVER BY MERLIN

- 14-gauge reinforced vinyl material.
- Custom fitted for taut, tailored appearance.
- No water accumulation.
- Keeps dirt and algae out.
- Available with an auto cover pump or built-in drain panel, your choice.
- 8-year warranty.

ACCESSORIES FOR MESH AND SOLID SAFETY COVERS

- SP002 Brass anchor
- TOOL Installation tool
- ALLEN Allen wrench w/hex key
- SPRING Stainless steel spring
- BUCKLE Stainless steel buckle
- SSSS Short SS spring
- WDPU Wood deck pop up

OTHER ACCESSORIES AVAILABLE BY ORDER:

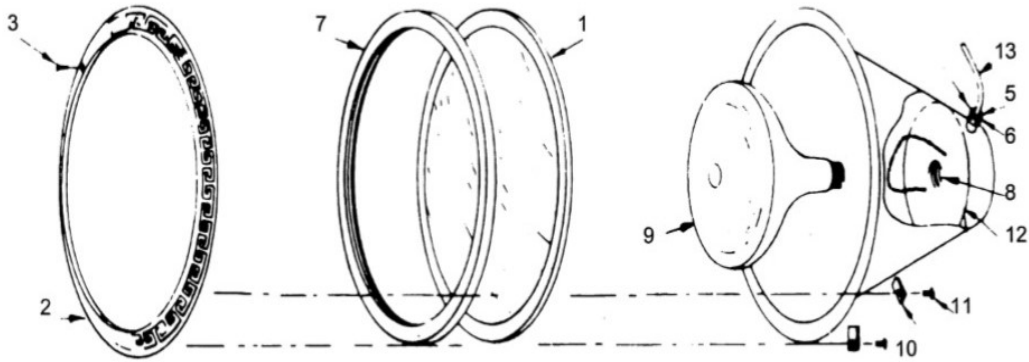
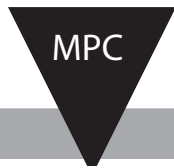
- Aluminum lawn stake
- Aluminum tube
- Black spring cover
- Brass flange
- Eyebolt
- Wood anchor
- Y strap

PARTS PAGES 48 - 95

We have listed all parts that we stock by vendor denoted by an * next to the part. We have also listed as a reference some parts that we do not stock. We will be glad to special order these.

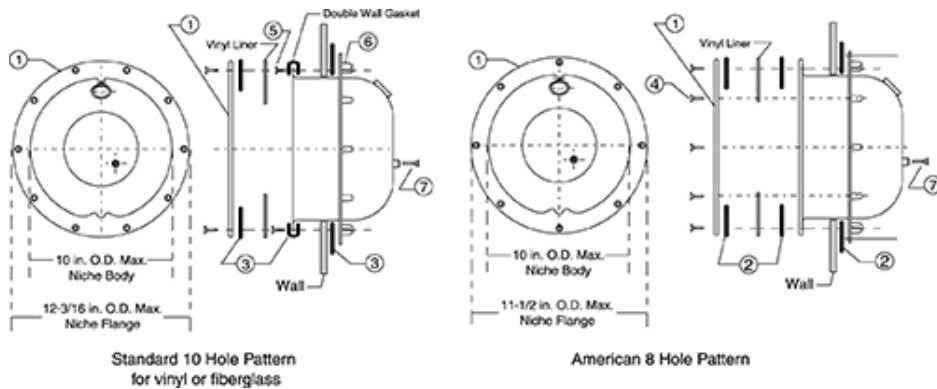
PARTS INDEX

	Page #
American Products	
Amerilite Light	48
Fixture Housing	48
Replacement Quartz Bulbs	48
Spa Light	49
Americana Admiral Skimmer	49
FAS100 Skimmer	49
Flex-Flo A1A Parts	50
Flex-Flo Parts	51
Hayward Products	
CL200, CL220 Chlorinators	52
Vac Heads	52
Cat Controller Probes	53
Unions	53
Valves	54
Suction Outlets	55
Square Frame & Grates	55
Fittings	55
Skimmers	56
Pumps	57-62
Filters	63-74
KDI Paragon	
Light	75
Ladder Treads	75
LMI Parts	76-77
Pentair	
TR-100C and TR140C Filters	78-79
TR-100 and TR-140 Filters	80-81
250 Vac Head	82
Raypak Heaters	83-94
S.R. Smith Miscellaneous	95
Stenner Pump	95
Swimquip-Starite Light	95



AMERICAN PRODUCTS LIGHT

REF. NO.	*IF STOCK	PART NO.	DESCRIPTION
1	*	791001	Lens, clear 8-3/8" diameter
3	*	791048	Pilot Screw w/gum washer
7	*	791016	Gasket for 8-3/8" diameter lens
9	*	R40FL300/12V	Floodlamp, medium base, 300W, 12V
9	*	400G/FL	Globe, medium base, 400W, 120V
9	*	R40FL500/HG	Floodlamp, medium base, 500W, 120V
9	*	R40FL400/HG	Floodlamp, medium base, 400W, 120V
11	*	982044	Screw, for clip

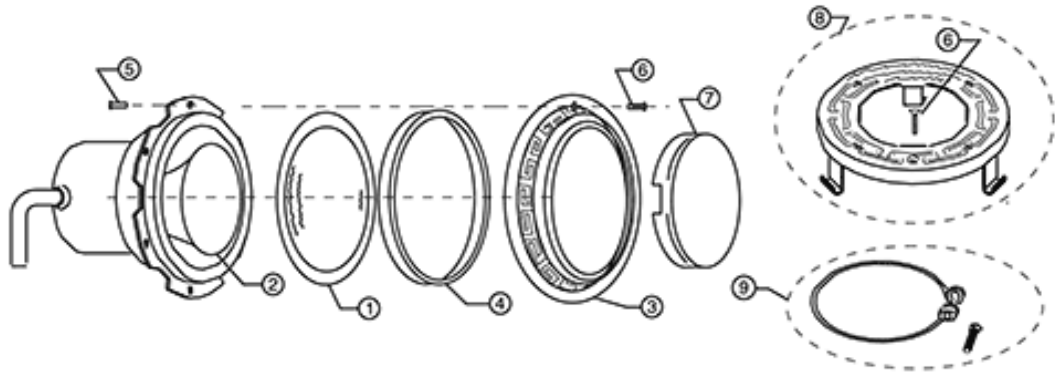


AMERICAN PRODUCTS FIXTURE HOUSING

REF. NO.	*IF STOCK	PART NO.	DESCRIPTION
1	*	792002	Liner-Sealing Ring, Standard Hole Pattern
1	*	792003	Gaskets (2) for sealing ring, American Hole Pattern
2	*	792004	Gaskets (3) for sealing ring, Standard Hole Pattern
		982026	Sealing Screw, phillips flat head, short
		982027	Sealing Screw, phillips flat head, long

REPLACEMENT QUARTZ BULBS

*	JD250MC/120	250W, 120V mini can
---	-------------	---------------------



AMERICAN PRODUCTS SPA LIGHT

REF. NO.	*IF STOCK	PART NO.	DESCRIPTION	NO. REQ'D
1		791078	Lens, clear 4" for spa	
2	*	650139Z	Halogen Floodlamp, medium base, 60W, Par 16 (100W Equivalency)	
	*	R20FL100/S	100W, 120V Floodlamp, medium base	
	*	791085	Gasket for 4" diameter lens	
	*	791086	Lens Gasket 4" Silicone	

AMERICAN PRODUCTS AMERICANA ADMIRAL SKIMMER

*IF STOCK	PART NO.	DESCRIPTION	NO. REQ'D
*	850001	Basket	1
*	850012	Floating weir	1



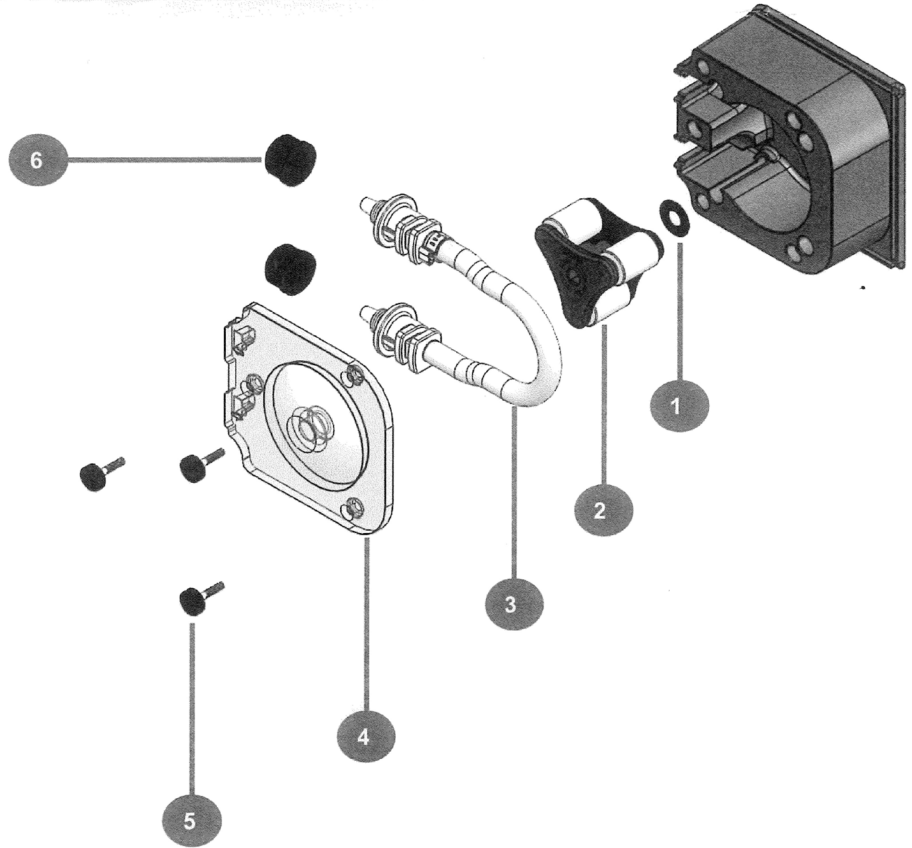
AMERICAN PRODUCTS FAS100 SKIMMER

REF. NO.	*IF STOCK	PART NO.	DESCRIPTION	NO. REQ'D
7	*	850039	Basket	1
10	*	982044	Screw, stainless 10-24 x 1/2" for trimmer plate	1
		850028	Plate Vacuum Adapter	
	*	193015	Weir	

Flex-Flo Parts

A1A Pump

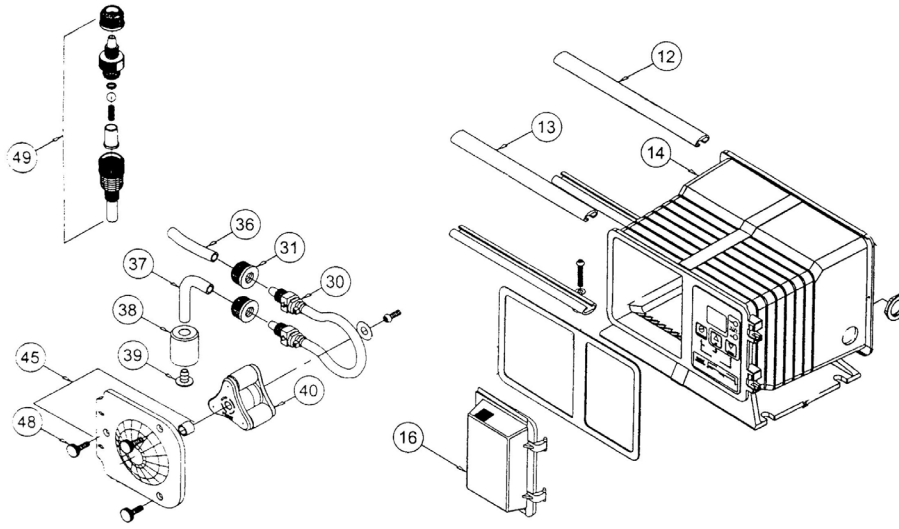
MPC



REPLACEMENT PARTS:

Ref. # If Stock

Ref. #	If Stock		
2	*	71000-350	Roller assembly complete
3	*	A1-7T	Tube Assembly (-7T) 3/8" OD tube compression
5	*	90011-160	Screw, Pump head cover
6	*	C-330-6	Tube Nut 3/8"



A-100N PARTS - HIGH PRESSURE PUMPS

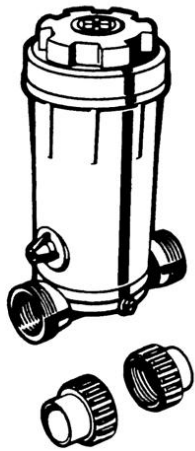
(For Flex-Flo Models: A1N00A-6T, A1N10A-6T, A1N20A-6T, A1N30A-6T, A1N10A-7T, A1N30A-7T)

REF. NO.	*IF STOCK	PART NO.	DESCRIPTION
12		76001-000	Slide Clamp, Enclosure Rear
13		76000-999	Slide Clamp, Enclosure Front
		90002-191	Door, Controls Cover
30	*	A1-6T	3/8" OD Tube and Fitting. Fits All A1N-6T Hi Pressure Pumps.
30	*	A1-7T	.4375 In. OD Tube with 3/8" Fitting. Fits A-1N30A-7T Pump
30	*	A1-4T	1/4" OD Tube with 3/8" Fitting. Fits all A1N-6T Hi Pressure Pumps.
	*	72000-550	Retro-fit Kit (Not pictured)
31	*	C-330-6	Tube Nut 3/8"
36	*	LMI-10342	Tubing, .375" OD Hard, Outlet
37	*	LMI-10469	Tubing, .375" OD Soft, Inlet
	*	C-340A	Foot Valve 3/8" OD (Not Pictured)
38	*	C-346	Ceramic Weight
39		C-342-6	Strainer, Inlet Tube, Polypropylene
40	*	71000-159	Roller Assembly-complete-4T and 6T-A100N
	*	71000-350	Roller Assembly-complete-7T for A1N30A-7T
45	*	71000-156	Cover, Pump head with Sleeve Bearing-A100N
48	*	90011-160	Screw, Pump head Cover, 8-32 x .62 Cap-A100N
49	*	A-014N-6A	Anti-Siphon, Threaded 3/8" Injector
	*	A-014N-4A	Anti-Siphon, Threaded 1/4" Injector
	*	70000-638	Indicator A100N (Not Pictured)
	*	TI40-6V	3/8" Clamp Style TI Injector
	*	TI40-4V	1/4" Clamp Style TI Injector

NEW FLEXFLO A-100N TUBE CHART

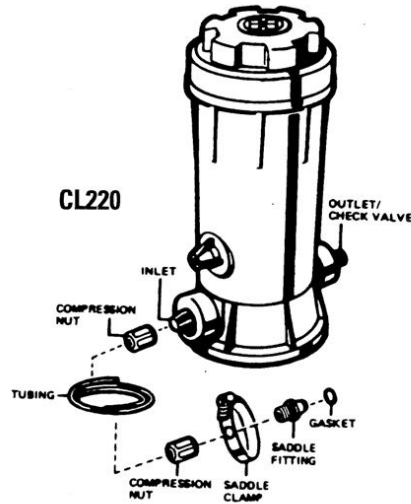
(Tan Color Tube with WHITE ENDS.)

MODEL	NEW TUBE #	OLD TUBE #
A1N00A-6T 3/8" OD	A1-6T	A-002N-6T
A1N10A-6T 3/8" OD	A1-6T	A-002N-6T
A1N20A-6T 3/8" OD	A1-6T	A-002N-6T
A1N30A-6T 3/8" OD	A1-6T	A-002N-6T
A1N10A-7T 7/16" OD	A1-7T	A-002N-7T
A1N30A-7T 7/16" OD	A1-7T	A-002N-7T
A-100N (-4T) 1/4" OD	A1-4T	A-002N-4T



CL200

SP1500UNPAK2



SP1500UNPAK2



CLX220GA



CLX200EGA



CLX200C

HAYWARD CL200, CL220 AUTOMATIC CHLORINATORS

*IF STOCK	PART NO.	DESCRIPTION
*	SP1500UNPAK2	Union End Connector Pak (2 Socket Connectors, 2 Union Nuts, 2 O-Rings)
*	CLX200K	O-Ring, special composition Viton
*	CLX220GA	Saddle Fitting Assembly (Saddle Fitting, Nut, Gasket, Clamp, 4 ft. Tubing)
*	CLX220H	Compression Nut
*	CLX200EGA	Screw, washer, center cap (replaces CL200-GA and CL200-E)
*	CLX200C	Cover Cap
*	CLX200B	Cover
*	CLX220J	8 Ft. Chlorinator Tubing

SP1067



SP1067 - SP1069



HAYWARD SP1067, SP1068, SP1069 VAC HEADS

*IF STOCK	PART NO.	DESCRIPTION
*	SPX1067C	Brush Set
*	SPX1067QA	Quick Snap Handle Adapter w/Spring
*	SPX1068G3	Brush (set of 3) — for SP1068
*	SPX1068C	Knurled Locknut



CAT CONTROLLER

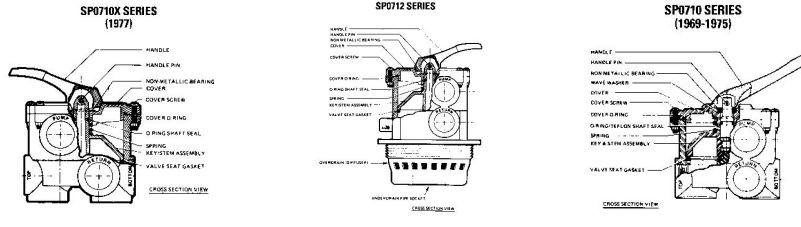
PROBES

PRO25-2	Cat ORP probe 24" cable
PRO15-2	Cat pH probe 24" cable
PRO15-10	Cat pH probe 10' cable
PRO25-10	Cat ORP probe 10' cable



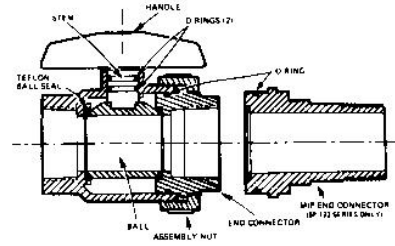
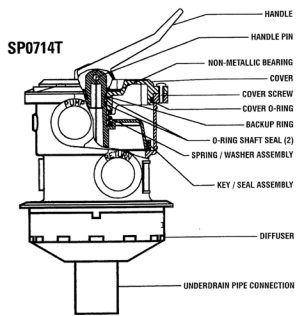
HAYWARD UNIONS

*IF STOCK	PART NO.	DESCRIPTION
	SPX1480C	Union Nut
*	SPX1425Z6	O-Ring
*	SPX1485C	Gasket



HAYWARD SP710, SP710X, SP711, SP712 MULTI-PORT VALVES

*IF STOCK	PART NO.	DESCRIPTION
*	SPX0710XF	Handle, cyclac
*	SPX0710Z16	Non-Metallic Bearing
*	SPX0710XZ3	Cover O-Ring
*	SPX0603S	Spring
*	SPX0710K	1/4" Plastic Pipe Plug
*	SPX0710XD	Valve Seat Gasket, 5 spoke
*	SPX0710XC	Key Stem Assembly
*	SPX0710XBA	Key, Cover and Handle Assembly
*	SPX0710D	Valve Seat Gasket, 6 spoke
*	SPX0710MA	Sight Glass
*	SPX0735GA	O-Ring Shaft Seal



SP0722, 0723

HAYWARD SP0714T VARI-FLO XL VALVE

*IF STOCK	PART NO.	DESCRIPTION
*	SPX710XF	Handle, cyclac
*	SPX710Z16	Non-Metallic Bearing
*	SPX0714BA	Key, Cover and Handle Assy. (With white molded in spoke gasket)
*	SPX0714Z1	Cover Screw (Set of 6)
*	SPX0714L	Cover O-ring
*	SPX735GA**	O-ring Shaft Seal Assy.
*	SPX0710Z62	Spring Washers (Set of 2)
*	SPX0714CA	Key/Seal Assy.
*	SPX0714D	Diffuser

HAYWARD SP722, SP723 BALL VALVES

*IF STOCK	PART NO.	DESCRIPTION
*	SPX0722F	Handle
*	SPX0722B7	Stem
*	SPX0722P2	Teflon Ball Seal (set of 2)
*	SPX0722GH	O-Ring Kit (SP722-G, SP722-H)
*	SPX0722D	Assembly Nut
*	SPX0722C7	Ball

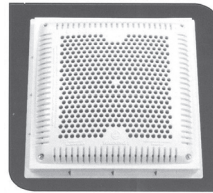
WG1051AVPAK2-CONCRETE

WG1048AVPAK2-VINYL/FIBERGLASS



HAYWARD SUCTION OUTLETS

*IF STOCK	PART NO.	DESCRIPTION
*	WGX1048E	Cover, Dome Type (All Suction Outlets)-White
*	WGX1048B	Vinyl Ring 7.875" OD
*	SPX1048D	Gasket



HAYWARD SQUARE FRAMES AND GRATES

*IF STOCK	PART NO.	DESCRIPTION
*	WGX1031BHF2	9" Square Cover with Inner Frame High Flow
*	WGX1032BHF2	12" Square Cover with Inner Frame High Flow



SP1023



SP1408



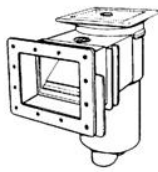
SP1425

HAYWARD FITTINGS

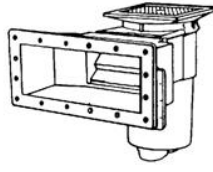
*IF STOCK	PART NO.	DESCRIPTION
	SPX1023B	Cyclac Locknut, 2"
*	SPX1023Z3	Fiber Slip Washer
*	SPX23Z12	Gasket (set of 2)
	SPX1411B	Face Plate-Threaded
*	SPX1408B	Face Plate
	SPX1411Z12	Gasket (set of 2)
*	SPX1408C	Gasket
*	SPX1411Z1A	Face Plate Screw Set (self-tapping style)
	SPX1425C	Grate (SP1423, SP1424)
	SPX1039Z1A	Screw Set (set of 4) (SP1408, SP1039)
*	SPX1425Z32	Face Plate Screw (set of 2) (SP1423, SP1424, SP1425)
*	SPX1425Z6	O-Ring (SP1425)



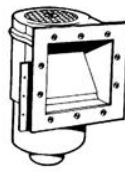
SP1082



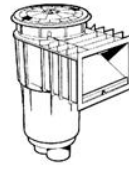
SP1084-1



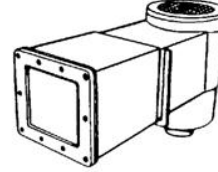
SP1085-2



SP1090



SP1070



SP1097



SP1091LX

*IF PART
STOCK NO.

DESCRIPTION

HAYWARD SP1070, SP1082, SP1084, SP1085, SP1083, SP1086 SKIMMERS

*	SPX1070C	Cover Round
*	SPX1070E	Basket
*	SPX1070KHR	Weir Kit Assembly (SP1070-K)
*	SPX1082E	Cover, square
	SPX1082Z1	Cover Screw (square cover)
*	SPX1084R	Cover, round
	SPX1084Z9	Cover Screw (round cover)
*	SP1084P1	Extension Collar - round
*	SPX1082CA	Basket, cyclac, 6-1/2" O.D. x 5"
*	SPX1082D	Basket Support Ring
*	SPX1082K	Weir
*	SPX1082H1A	Slide Plate w/screw
*	SPX1084L	Face Plate, cyclac (SP1084)
*	SPX1085B	Face Plate, cyclac (SP1085)
*	SPX1084B	Gasket (SP1084)
*	SPX1085D	Gasket (SP1085)
	SPX1084Z1A	Face Plate Screw Set (SP1084)
	SPX1084Z4A	Face Plate Screw Set (self-tapping style) — SP1084
*	SPX1084Z4AM	Face Plate Screw Set — 1 1/4" long (self-tapping style)
	SPX1085Z1A	Face Plate Screw Set (self-tapping style) — SP1085
	SPX1085Z1AM	Face Plate Screw Set — 1 1/4" long (self-tapping style)

HAYWARD SP1090, SP1092 SKIMMERS

*	SPX1096CA	Basket, cyclac, 5 1/8" O.D. x 3"
*	SPX1096B	Cover
*	SPX1096K	Weir
*	SPX1090D	Face Plate
*	SPX1094G	Gasket
	SPX1030Z1C	Face Plate Screw Set — 1 1/4" long (self tapping style)
	SPX1092C	Access Plug

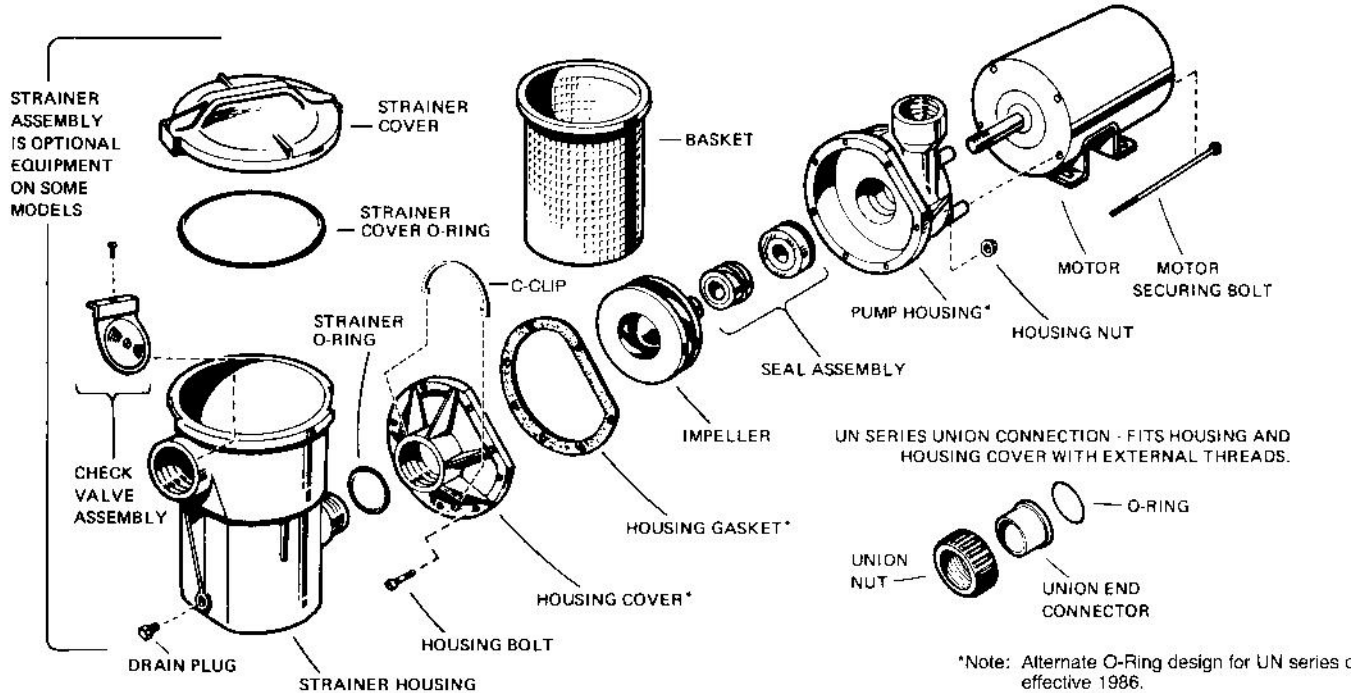
HAYWARD SP1096, SP1097, SP1098 SKIMMERS

*	SPX1096B	Cover
	SPX1096AX	Adjusting Collar
*	SPX1096CA	Basket, cyclac, 5 1/8" O.D. x 3"
*	SPX1096K	Weir
	SPX1097D	Face Plate, cyclac (SP1097, SP1098)
	SPX0097E	Gasket (SP1097, SP1098)

HAYWARD SP1091LX, SP1091WM SKIMMERS

*	SPX1091C	Basket with Handle
*	SPX1091D	Face Plate Standard
*	SPX1091K1	Weir
*	SPX1091G	Face Plate Gasket
*	SPX1091GW	Wide Mouth Butterfly Gasket
*	SPX1090Z6A	Standard Screw Set-SP1091LX

SP1500 SERIES POWER-FLO™ PUMP



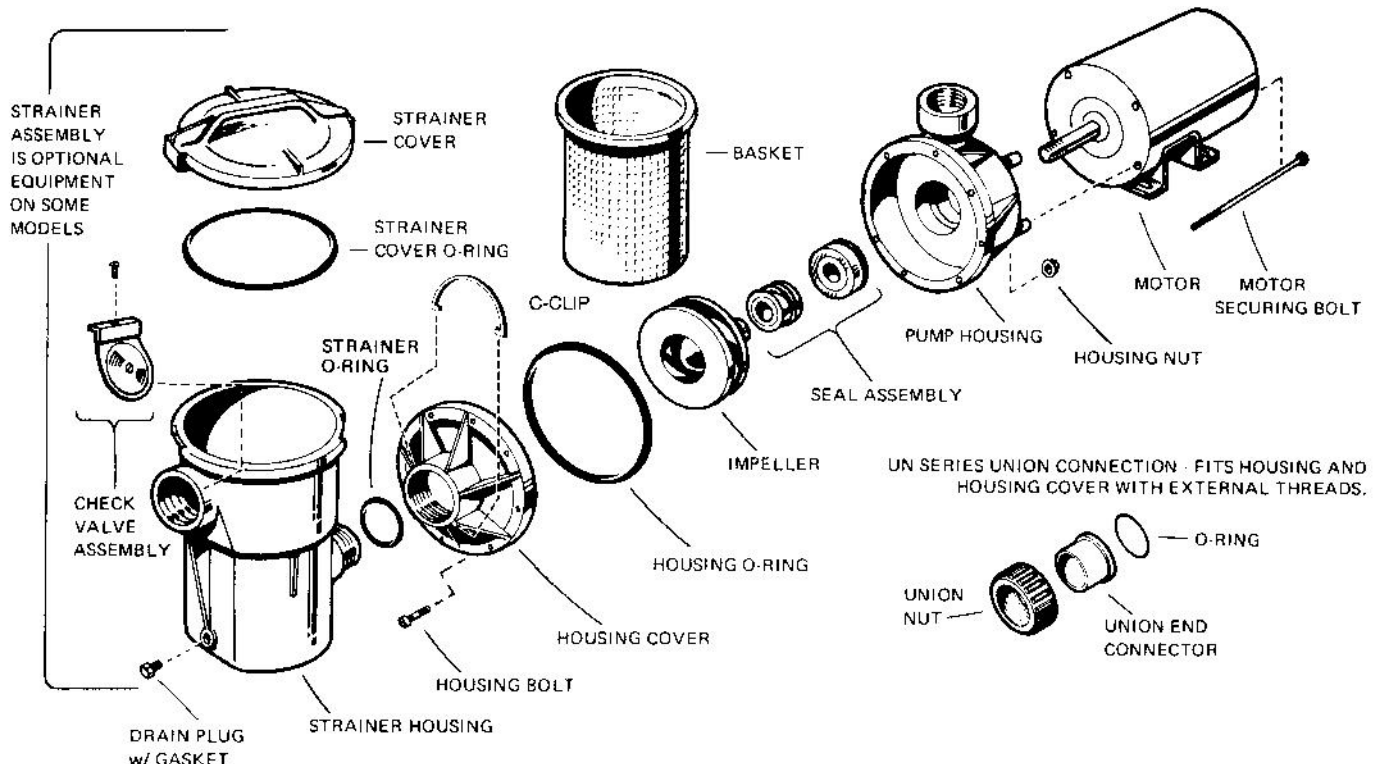
SP1500 SERIES POWER-FLO™ PUMP

PARTS FOR PUMP MODELS: SP1500, SP1510, SP1511, SP1550, SP1575, SP1580; AND PUMP STRAINER SP1515

*IF STOCK	PART NO.	DESCRIPTION
*	SPX1500KA	Seal Assembly
*	SPX1500H	Housing Gasket
	SPX1500NY	Housing Bolt & Nut Set, No. 10-24 Hex. Head
	SPX1500E	Impeller, 1/2 HP
*	SPX1500F	Impeller, 3/4 HP
*	SPX1500CAP	Strainer Housing with Basket
*	SPX0710XZ3	Strainer Cover O-Ring — for solid cover (1978 and prior)
*	SPX1500D2A	Strainer Cover, clear Lexan, with O-Ring
*	SPX1500P	Strainer Cover O-Ring — for clear cover
	SPX1250RA	Strainer Basket
*	SPX1500LX	Strainer Basket--Large, 4 1/2" x 7"
	SPX1500W	Strainer O-Ring
*	SPX1700FG	Drain Plug w/Gasket
	SPX1515C	Strainer Housing C-Clip (2000 - 2003)
	SPX1515CN	Strainer Housing C-Clip (2004 -)

SP1500UN Parts same as SP1500 Series except as listed below:

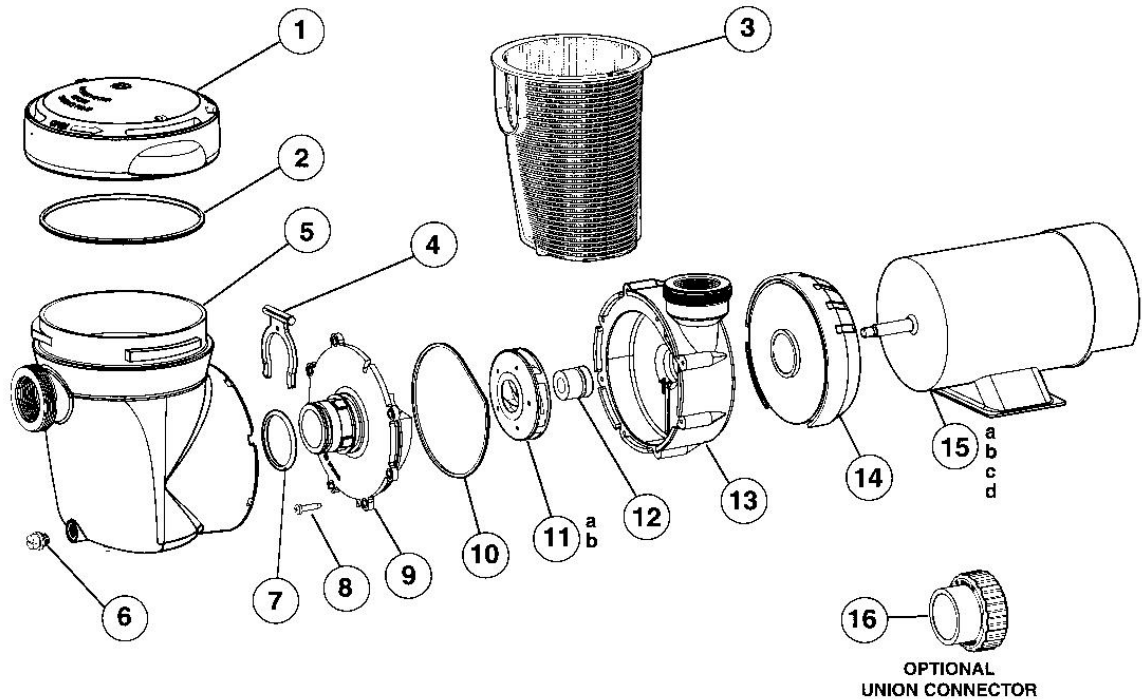
*	SPX1500L	Impeller, 1 H.P.
	SPX1500JS	Union End Connector — Socket
	SPX1500G	Union Nut
*	SPX1495Z1	O-Ring, End Connector



SP1700 SERIES POWER-FLO™ II PUMP

PARTS FOR PUMP MODELS: SP1705, SP1710, SP1711, SP1750, SP1775, SP1780

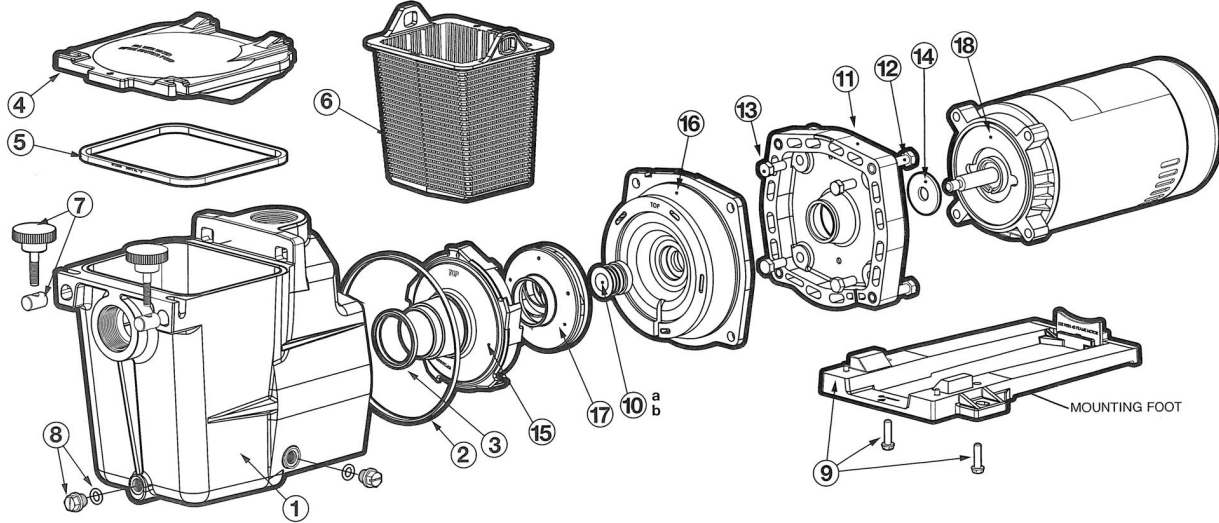
*IF STOCK	PART NO.	DESCRIPTION
	SPX1705AA	Pump Housing
*	SPX1500KA	Seal Assembly with Cup
	SPX1705Z1	Housing O-Ring Gasket
	SPX1500NY	Housing Bolt & Nut Set, No. 10-24 Hex. Head
	SPX1705C	Impeller, 1/2 HP (SP1700 Series, Power Flo II)
	SPX1707C	Impeller, 3/4 HP (SP1700 Series, Power Flo II)
*	SPX1500W	Strainer O-ring
*	SPX2607C	Impeller, (Power-Flo III, 1 HP)
*	SPX2610C	Impeller, (Power-Flo III, 1-1/2 HP)
*	SPX1500CAP	Strainer Housing w/Basket
*	SPX1500D2A	Strainer Cover, clear Lexan, with O-Ring
*	SPX1500P	Strainer Cover O-Ring — for clear cover
	SPX1250RA	Strainer Basket
*	SPX1700FG	Drain Plug w/Gasket
	SPX1515C	Strainer Housing C-Clip (2000-2003)
	SPX1515CN	Strainer Housing C-Clip (2004 -)
	SPX1500JS	Union End Connector — Socket
	SPX1500G	Union Nut
*	SPX1495Z1	O-Ring, End Connector



SP1590 SERIES POWER-FLO MATRIX

PARTS OF PUMP MODELS: SP1591, SP1592, SP1593

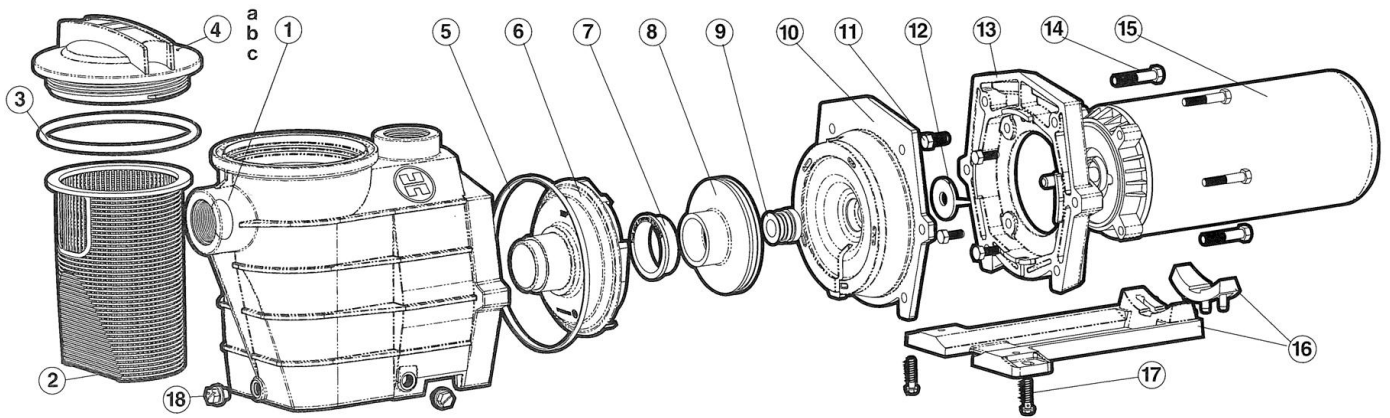
REF. NO.	*IF STOCK	PART NO.	DESCRIPTION	NO. REQ'D
1		SPX5500D	Strainer Cover w/Lock Ring & O-ring	1
2		SPX5500H	Strainer Cover O-ring	1
3		SPX5500F	Strainer Basket	1
4		SPX5500G	Strainer Retainer/'C' Clip	1
5		SPX5500C	Strainer Housing	1
6	*	SPX1700FG	Drain Plug w/Gasket	1
7		SPX5500K	Strainer O-ring	1
9		SPX5500B	Pump Cover	1
10		SPX0710XZ5	Housing O-ring	1
11a	*	SPX1500F	Impeller Assembly (ref. part number on Original equipment)	1
11b	*	SPX1500L	Impeller Assembly (ref. part number on Original equipment)	1
12	*	SPX1500KA	Shaft Seal Assembly	1
13		SPX5500A	Pump Housing	1
14		SPX5500E	Shroud Assembly	1
15a		SPX1510Z1E	3/4 HP Single Speed Motor w/Switch, Flex 48	1
15b	*	SPX1510Z1XE	1 HP Single Speed Motor w/Switch, Flex 48	1
15c		SPX1515Z1E	1.5 HP Single Speed Motor w/Switch, Flex 48	1
15d		SPX1510Z24XE	1 HP Two Speed Motor w/Switch, Flex 48	1
16	*	SP1500UNPAK2	OPTIONAL-Union Connector Assembly	2



SP2600X SERIES NEW SUPER PUMP™ (MAX RATED)

PARTS OF PUMP MODELS: SP2600X5, SP2605X7, SP2607X10, SP2610X20, SP2621X25

Ref. NO.	*IF STOCK	PART NO.	DESCRIPTION
1	*	SPX1600AA	Pump Housing/Strainer, 1 -/2" x 1-1/2" , with Drain Plugs
1	*	SPX1620AA	Pump Housing/Strainer, 2" x 2" , with Drain Plugs
2	*	SPX1600T	Housing Gasket
3	*	SPX1600R	Diffuser Gasket
4	*	SPX1600D	Strainer Cover
4		SPX1600DB	Strainer Cover for Biguanide Sanitizers NOT Pressure Testable
5	*	SPX1600S	Strainer Cover Gasket
6	*	SPX1600M	Basket
7	*	SPX1600PN	Hand Knob Kit (includes Swivel Nut & Hand Knob)
-	*	SPX1600V	1/4" Drain Plug (1991 and Prior)
8	*	SPX1700FG	1/4" Drain Plug with Gasket (1992 and later)
9	*	SPX2600G1	Mounting Foot w/Adapter and Screws
-	*	SPX1600Z52	Mounting Foot Cap Screw (Set of 2-1995 and prior, 2 sets required)
10a	*	SPX1600Z2	Seal Assembly
11	*	SPX1600F5	Motor Mounting Plate
12		SPX1600Z4	Housing Cap Screw
13	*	SPX0125Z44	Motor Cap Screw (set of 4)
14	*	SPX0125F	Slinger
15	*	SPX2600B	Diffuser, for 1/2 thru 2 HP
15		SPX1616B	Diffuser, for 2-1/2 HP only
16	*	SPX2600E5	Seal Plate, for 1/2 thru 2HP
16		SPX1611E5	Seal Plate, for 2-1/2 HP only
17	*	SPX2600C	Impeller, for 1/2 HP Max Rated
17	*	SPX2605C	Impeller, for 3/4 HP Max Rated
17	*	SPX2607C	Impeller, for 1 HP Max Rated
17	*	SPX2610C	Impeller, for 1 1/2 HP Max Rated
17	*	SPX2615C	Impeller, for 2 HP Max Rated
17	*	SPX1621C	Impeller, for 2-1/2 HP Max Rated
18	*	SPX1605Z1M	Motor, 3/4 HP, Threaded Shaft, (Single-phase, 60 Cycle 115/230V)
18	*	SPX1607Z1M	Motor, 1 HP, Threaded Shaft, (Single-phase, 60 Cycle 115/230V)
18	*	SPX1610Z1M	Motor, 1-1/2 HP, Threaded Shaft, (Single-phase, 60 Cycle 115/230V)
18	*	SPX1615Z1M	Motor, 2 HP, Threaded Shaft, (Single-phase, 60 Cycle 115/230V)
18	*	SPX1620Z1M	Motor, 2-1/2 HP, Threaded Shaft, (Single-phase, 60 Cycle 230V)



SP3000X SERIES SUPER II PUMP™ (MAX RATED)

PARTS OF PUMP MODELS: SP3005X7, SP3007X10, SP3010X15, SP3015X20, SP3020X25, SP3025X30

REF NO.	*IF STOCK	PART NO.	DESCRIPTION
1		SPX3000AA	Pump Housing/Strainer, 1-1/2" x 1-1/2", with Drain Plugs
1		SPX3020AA	Pump Housing/Strainer, 2" x 2", with Drain Plugs
2	*	SPX3000M	Basket
3	*	SPX3000S	Strainer Cover O-Ring
4a		SPX3000D	Strainer Cover, HandKnob Style, Clear
4b		SPX3100D	Strainer Cover, Threaded Style
4c		SPX3100DB	Strainer Cover for Biguanide Sanitizers NOT Pressure Testable
5	*	SPX3000T	Housing Gasket
-	*	SPX1600R	Diffuser Gasket
6	*	SPX2600B	Diffuser, for 3/4 through 2 HP (1987 and prior)
6		SPX3000BN	Diffuser, for 3/4 through 1-1/2 HP (after 1988)
6		SPX3000B	Diffuser, for 2-1/2 and 3 HP (1989 and Prior)
6		SPX3021B	Diffuser, for 2, 2 -1/2 and 3 HP (after 1990)
7		SPX3005R	Impeller Ring - 3/4 through 2 HP (3000 Series Impellers Only)
7	*	SPX3021R	Impeller Ring - 2-1/2 through 3 HP (3000 Series Impellers Only)
9	*	SPX1600Z2	Seal Assembly
10	*	SPX3020E	Seal Plate, for SP3000 Series Impellers
11	*	SPX0125Z44	Motor Cap Screw (Set of 4)
12	*	SPX0125F	Slinger
13		SPX3000F	Motor Mounting Plate
14		SPX1600Z4	Housing Cap Screw
-		SPX3000Z26	Washer, 3/8" - for cap screw (Set of 6) (Not Shown)
16		SPX3000GA	Mounting Bracket w/Adapter and 2 Cap Screws
17	*	SPX1600Z52	Mounting Foot Cap Screw (Set of 2)
18	*	SPX1600V	1/4" Drain Plug (1991 and prior)
18	*	SPX4000FG	1/4" Drain Plug with Gasket

PARTS LISTED BELOW MUST BE ORDERED FOR SPECIFIC MODEL & HP:

		1987	1988
8	*	SPX2605C	SP3005-C Impeller, for 3/4 HP
8	*	SPX2607C	SP3007-C Impeller, for 1 HP
8	*	SPX2610C	SP3010-C Impeller, for 1-1/2 HP
8	*	SPX2615C	SP3015-C Impeller, for 2 HP
		1989	1990
8		—	SP3016-C Impeller for 2 HP
8	*	SPX3020C	SP3021-C Impeller, for 2-1/2 HP
8			SPX3026-C Impeller, for 3 HP
15	*	SPX1605Z1M	Motor, 3/4 HP, Threaded Shaft, (Single-phase, 60 Cycle 115/230V)
15	*	SPX1607Z1M	Motor, 1 HP, Threaded Shaft, (Single-phase, 60 Cycle 115/230V)
15	*	SPX1610Z1M	Motor, 1-1/2 HP, Threaded Shaft, (Single-phase, 60 Cycle 115/230V)
15	*	SPX1615Z1M	Motor, 2 HP, Threaded Shaft, (Single-phase, 60 Cycle 115/230V)
15	*	SPX1620Z1M	Motor, 2-1/2 HP, Threaded Shaft, (Single-phase, 60 Cycle 230V)
15	*	SPX1625Z1M	Motor, 3 HP, Threaded Shaft, (Single-phase, 60 Cycle 230V)



HAYWARD REPLACEMENT MOTORS

Genuine Hayward Gold replacement motors complete with Hayward label. All motors are made by A.O. Smith. Other motors available by special order.

SUPER PUMP SERIES MOTORS

*IF STOCK	PART NO.	DESCRIPTION
*	SPX1510Z1XE	Motor, 1HP Power Flo
*	SPX1605Z1M	Motor, 3/4 HP, Threaded Shaft, (Single-phase, 60 Cycle 115/230V)
*	SPX1607Z1M	Motor, 1 HP, Threaded Shaft, (Single-phase, 60 Cycle 115/230V)
*	SPX1610Z1M	Motor, 1-1/2 HP, Threaded Shaft, (Single-phase, 60 Cycle 115/230V)
*	SPX1615Z1M	Motor, 2 HP, Threaded Shaft, (Single-phase, 60 Cycle 115/230V)
*	SPX1620Z1M	Motor, 2-1/2 HP, Threaded Shaft, (Single-phase, 60 Cycle 115/230V)
	SPX1625Z1M	Motor, 3 HP, Threaded Shaft, (Single-phase, 60 Cycle 230V)
	SPX0160Z1D	Motor, 3 HP, Threaded Shaft, (Three-phase, 60 Cycle 230/460V)

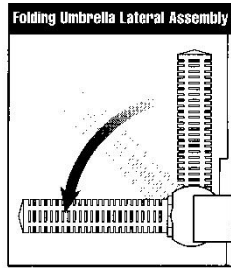
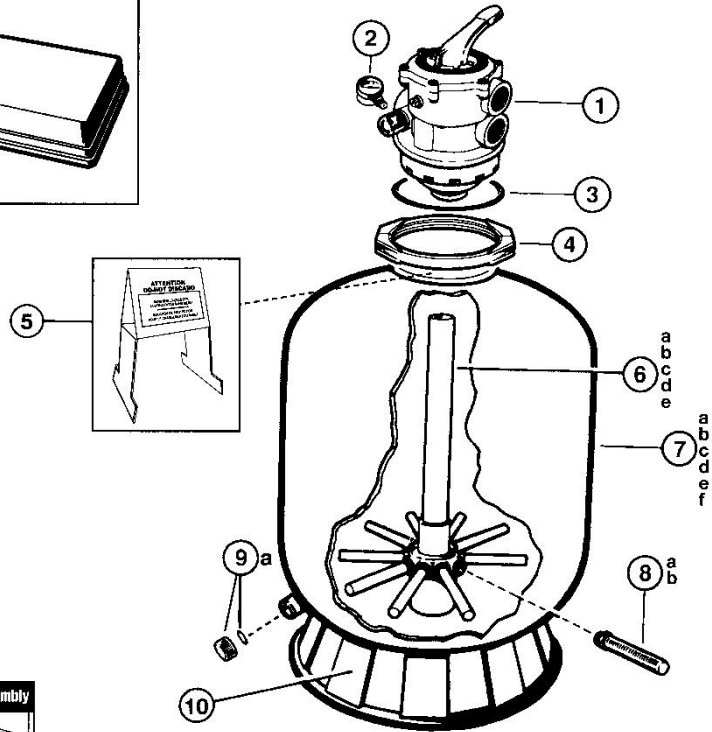
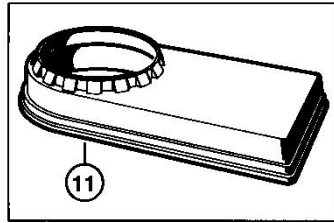
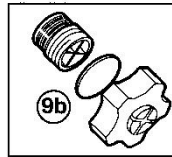


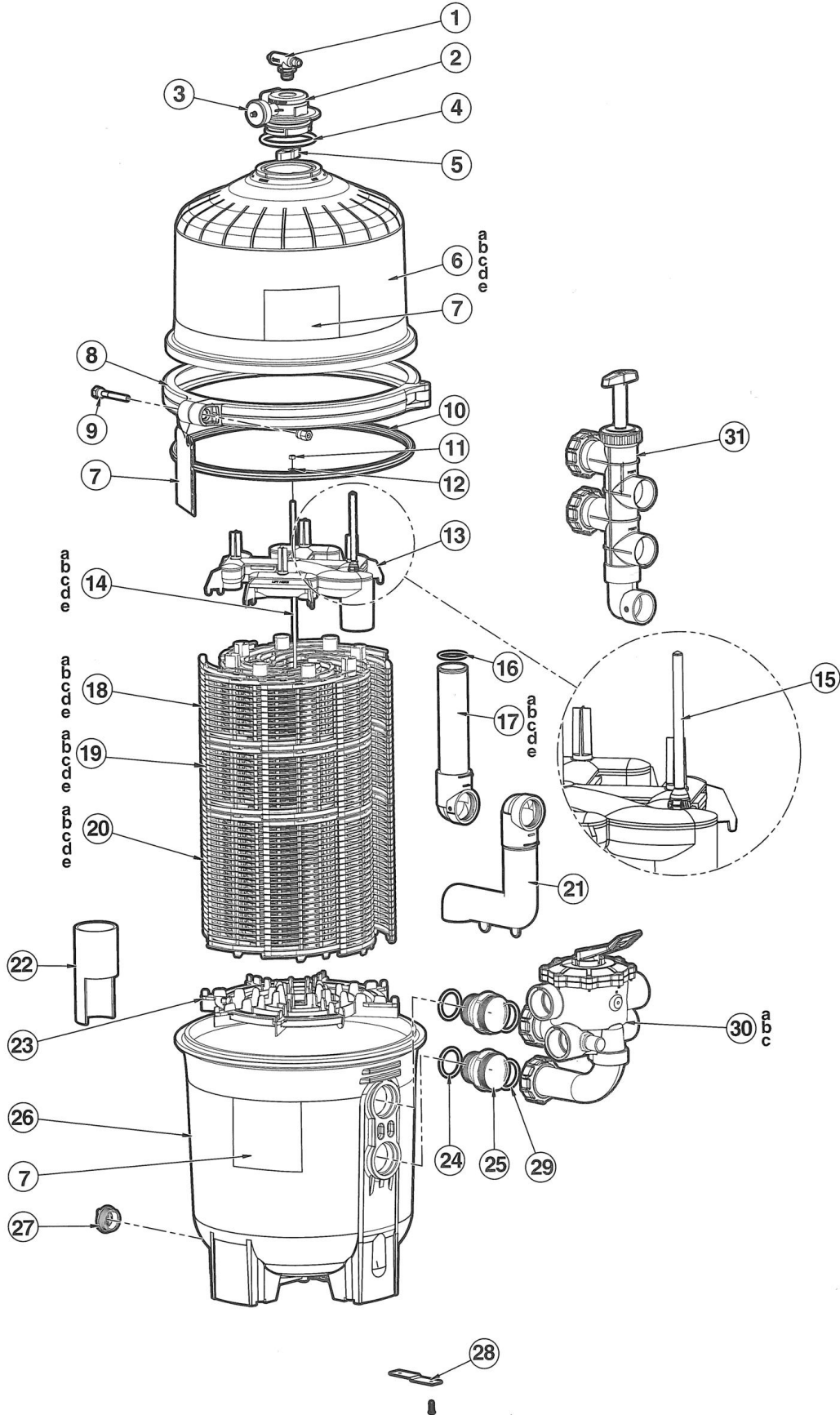
Diagram A



Miami also stocks miscellaneous parts for previously sold Hayward products such as: S160T and S240T Sand Filters. Call For Details!

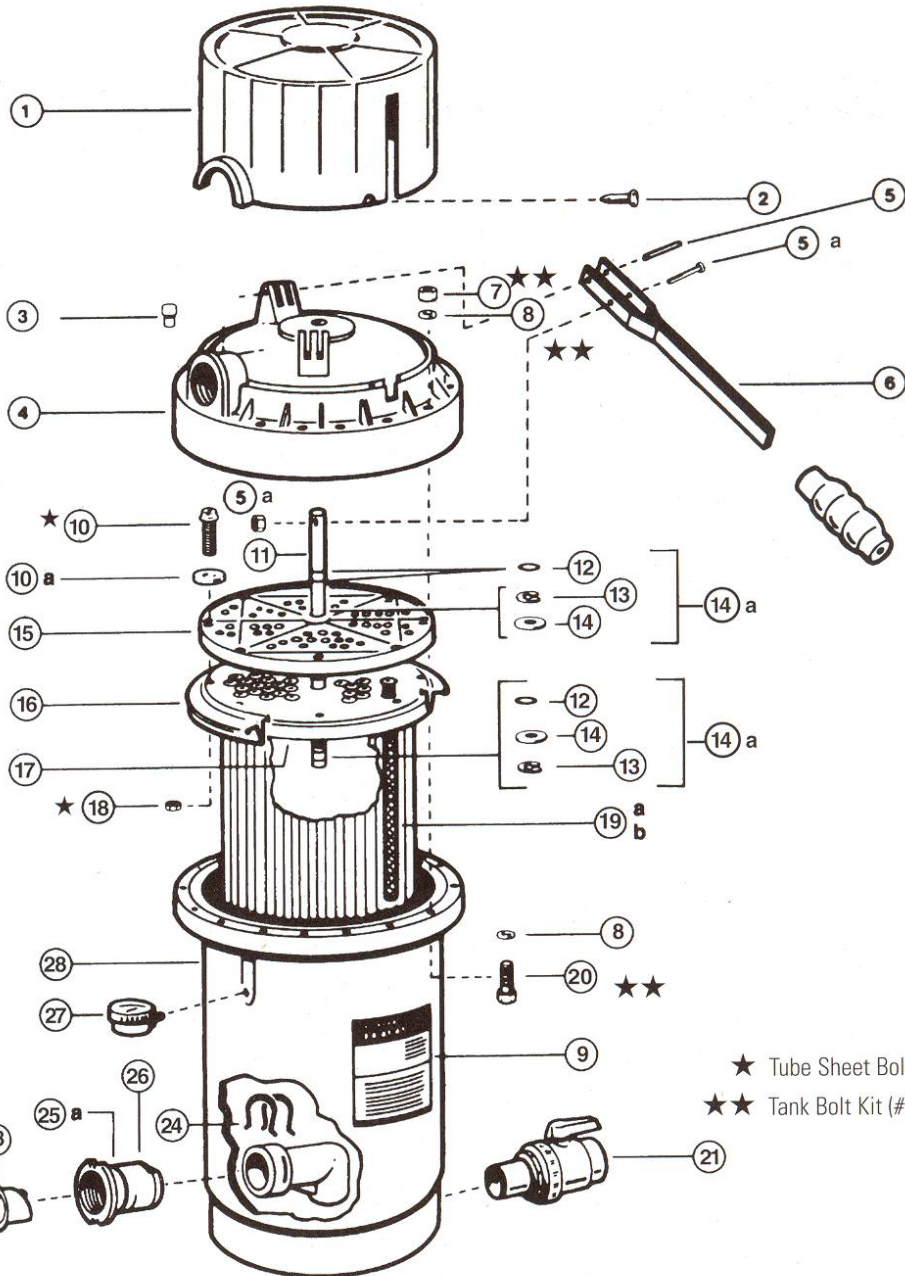
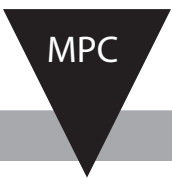
HAYWARD PRO SERIES S210T AND S244T SAND FILTER

REF. NO.	*IF STOCK	PART NO.	DESCRIPTION	NO. REQ'D
	*	SP0714T	Vari-Flo XL Control Valve - 1 1/2" (Replaces SP711-13)	1
2	*	ECX270861	Pressure Gauge	1
3	*	GMX600F	Valve/Tank O-Ring	1
4	*	GMX600NM	Flange Clamp, Noryl	1
5		SX202S	Sand Shield (2004 Corrugated Design)	1
6a		SX180DA	Folding Lateral Assy w/Center Pipe (S180T 1997 -)	1
6b	*	SX210DA	Folding Lateral Assy w/Center Pipe (S210T 1997 -)	1
6d	*	SX244DA	Folding Lateral Assy w/Center Pipe (S244T 1997 -)	1
8a	*	SX200Q	Lateral (S-180T) (2004 and Prior)	10
8b	*	SX240D	Lateral (S210T, S220T, S244T) (2004 and Prior)	10
8c		SX200QN	Lateral (one piece) w/Hub See Diagram A	10
8d		SX240DN	Lateral (one piece) w/Hub See Diagram A	10
9a	*	SX180HG	Drain Cap & Gasket	—
9b		SX180LA	Drain Cap Assy. - Cap Gasket, Screen	1
10		SX200J	Filter Support Stand (Skirt)	1
11		SX180K	System Base - S-180T Systems	—

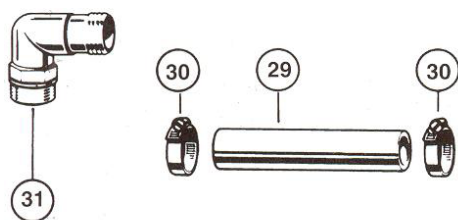


Ref. No.	If Stock	Part No.	Description	No. Req'd
1		CCX1000V	Manual Air Relief Valve w/O-ring	1
2		DEX2420MAR2	Manual Air Relief Assembly	1
3	*	ECX2712B1	Pressure Gauge	1
4		DEX2420Z8A	O-Ring Kit (Set of 2)	1
5		CCX1000N	Manual Air Relief Valve Nut	1
6a		DEX2420BTC	Filter Head (DE2420)	1
6b		DEX3620BTC	Filter Head with Clamp (DE3620)	1
6c		DEX4820BTC	Filter Head with Clamp (DE4820)	1
6d		DEX6020BTC	Filter Head with Clamp (DE6020)	1
6e		DEX7220BTC	Filter Head (DE7220)	1
7		DEX2420LA6PAK	Label Pack (includes all warning and operation labels, hang tag (# 10), wire tie and owner's manual)	1
8		DEX2421JKIT	Clamp System including: Clamp, Clamp Nut and Bolt, Warning Hang Tag, Metal Reinforced Seal and Labels	1
9		DEX2421J2*	Clamp Bolt and Nut	1
10		DEX2422Z2*	Metal Reinforced Seal	1
11		ECX176865	Retainer Nut 5/16" – 18	1
12		ECX1109	Washer, 5/16" (2 Required)	2
13	*	DEX2400C	Top Collector Manifold w/Flex Air Relief Assembly	1
14a		DEX2400R	Retainer Rod (DE2420)	1
14b		DEX3600R	Retainer Rod (DE3620)	1
14c		DEX4800R	Retainer Rod (DE4820)	1
14d		DEX6000R	Retainer Rod (DE6020)	1
14e		DEX7200R	Retainer Rod (DE7220)	1
15		DEX2400CR	Flex Air Relief Assembly	1
16	*	DEX2400Z5	Outlet Elbow O-ring	1
17a		DEX2420EA	Outlet Elbow Assembly w/ O-Ring (DE2420)	1
17b		DEX3620EA	Outlet Elbow Assembly w/ O-Ring (DE3620)	1
17c		DEX4820EA	Outlet Elbow Assembly w/ O-Ring (DE4820)	1
17d		DEX6020EA	Outlet Elbow Assembly w/ O-Ring (DE6020)	1
17e		DEX7220EA	Outlet Elbow Assembly w/ O-Ring (DE7220)	1
18a		DEX2420DC	Filter Element Cluster Assembly (DE2420)	1
18b		DEX3600DC	Filter Element Cluster Assembly – (DE3620)	1
18c		DEX4800DC	Filter Element Cluster Assembly – (DE4820)	1
18d		DEX6000DC	Filter Element Cluster Assembly – (DE6020)	1
18e		DEX7200DC	Filter Element Cluster Assembly – (DE7220)	1
19a	*	DEX2400DA	Filter Element (DE2420)	7
19b	*	DEX3600DA	Filter Element (DE3620)	7
19c	*	DEX4800DA	Filter Element (DE4820)	7
19d	*	DEX6000DA	Filter Element (DE6020)	7
19e	*	DEX7200DA	Filter Element (DE7220)	7
20a	*	DEX2400DS	Filter Element – Short (DE2420)	1
20b	*	DEX3600DS	Filter Element – Short (DE3620)	1
20c	*	DEX4800DS	Filter Element – Short (DE4820)	1
20d	*	DEX6000DS	Filter Element – Short (DE6020)	1
20e	*	DEX7200DS	Filter Element – Short (DE7220)	1
21		DEX2420GA	Inlet Elbow	1
22		DEX2420T	Element Spacer (DE2420 Only)	1
23		DEX2400H	Filter Element Locator	1
24		SX220Z2	Bulkhead O-Ring (2 Req.)	2
25		DEX2420F	Bulkhead Fitting (2 Req.)	2
26		DEX2420ATC	Filter Body	1
27	*	SP1022C	1 ½" Drain Plug w/ O-Ring	1
29	*	SX200Z4	O-Ring (2 Req.)	1
30a	*	SP0740DE	Selecta-Flo™ Valve Assembly – 2" SKT	1
30b	*	SP0710XR50	Vari-Flo™ Valve Assembly – 1 ½" NPT	1

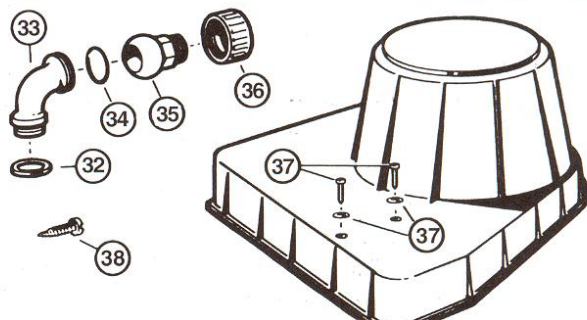
*Compatible only with DEX2421JKIT clamp system for Hayward Pro-Grid D.E. and SwimClear cartridge filters.



SERIES EC65 – STANDARD



SERIES EC65 SYSTEM III



REF. NO.	*IF STOCK	PART NO.	DESCRIPTION	NO. REQ'D
1		ECX11206	Bump Mechanism Cover (brown)	1
3		ECX1322A	Vent Valve (threaded) with O-Ring	1
4		ECX11194AT*	Filter Head w/New Vent Valve (taupe)	1
5		ECX100Z9	Roll Pin	2
5a		ECX4236A	Bump Screw Kit	1
6	*	ECX1040	Bump Handle Assy.(W/Pin, shoulder screw & nut)	1
7		ECX1642A	Tank Bolt Kit	1
8		ECX1077	1/4" X 1-1/16" O.D. Flat Washer	30
10		SPX1500N1	Replace with SPX1500NYA	

11	*	ECX1110	Bump Shaft	1
12		ECX9611246	Replace with ECX1014A	
13		ECX1014	Replace with ECX1014A	
14		ECX1011	Replace with ECX1014A	
14a	*	ECX1014A	Shaft Kit (includes 12, 13 and 14) (Shaft O-ring Kit, Retainer Clips (2), Thrust Washer)	1
16	*	ECX1105	Diaphragm Gasket	1
15 & 17		ECX11034SET	Replaces ECX1104 and ECX1103 Tube Sheet (top & bottom)	
18		SPX1500Y1	Replace with SPX1500NYA	
19a	*	ECX1031	Flex-Tube Assembly — 13 3/8" long (EC65)	120
19b	*	ECX1032	Flex-Tube Assembly — 16 1/4" long (EC75)	120
20		ECX1642215	Head Bolt - Replace with ECX1642A	
21	*	SP0723	Ball-Type Drain Valve	1
22		ECX4220A	Elbow Assembly w/Check Valve	1
23	*	ECX4077B1	Check Valve	1
24		ECX4212A	Retainer Clip (1989 and prior)	2
25a	*	SPX1425Z6	O-Ring (1989 and prior)	1
25b	*	SPX1500W	O-Ring (1990)	1
26		ECX4201CA	Inlet Fitting w/EC4077-B-1 Check Valve	1
27	*	ECX2712B1	Pressure Gauge	1
27a	*	ECX27091	Pressure Gauge, Back Mount	1
27b		ECX12866	Gauge/Port Adapter	1
27c		ECX1287	Adapter O-Ring	1
28	*	ECX11184AT*	Filter Body w/New Elbow Assembly	—
		SPX1500NYA	Tube Sheet Bolt Set (Includes 10 & 18)	1
		ECX1642A	Tank Bolt Kit (EC65, 75 - includes 7, 8 & 20)	1
—		ECX1251	Flex-Tube Nest (EC65) — incl. items 10 thru 19	—
—		ECX125175	Flex-Tube Nest (EC75) — incl. items 10 thru 19	—

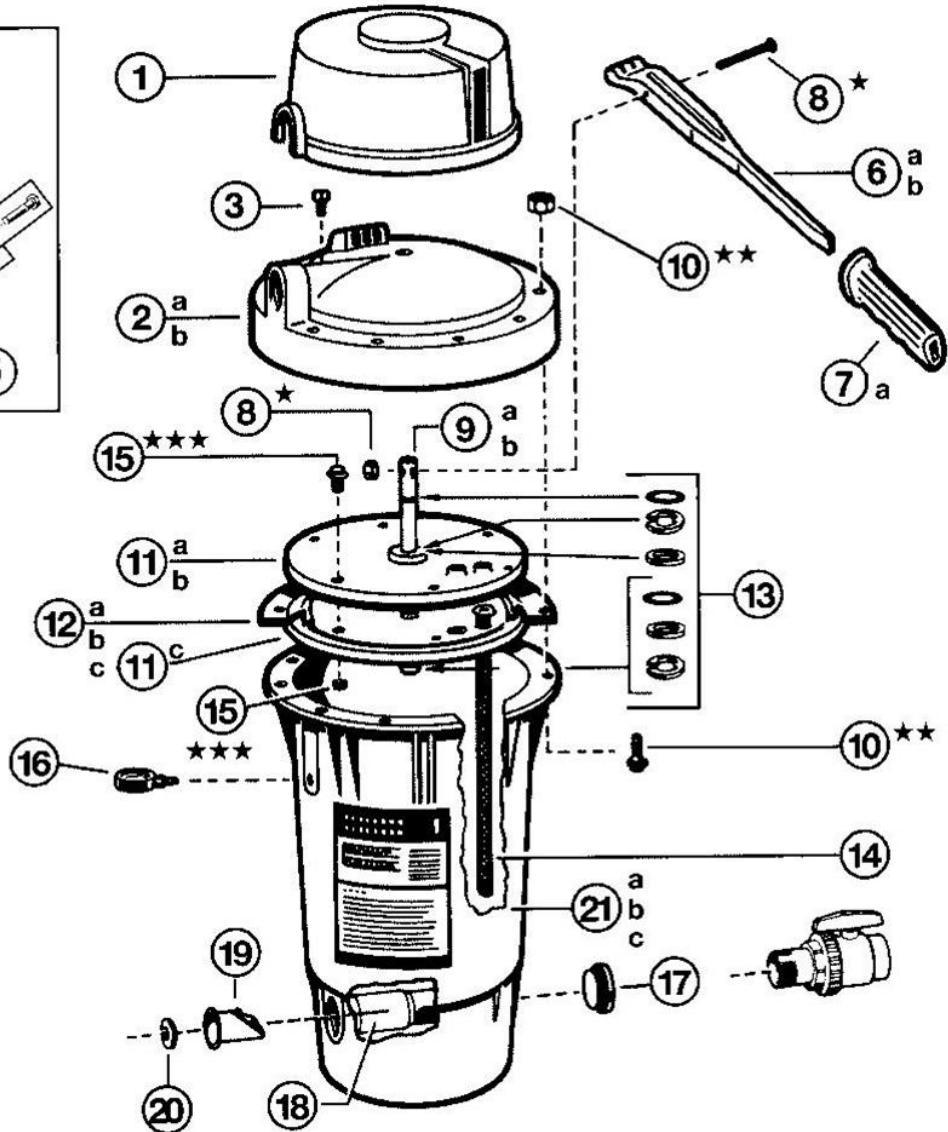
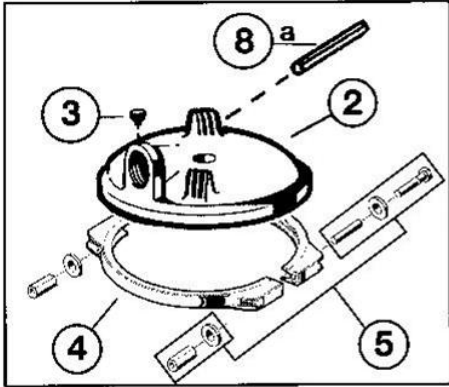
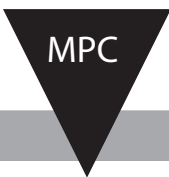
SERIES EC65 — STANDARD

29		ECX27071	1 9/16" I.D. Clear Hose	1
30		ECX18028	Hose Clamp	2
31		SPX1105Z4	1 1/2" Elbow Hose Adapter	2

SERIES EC65 SYSTEM III

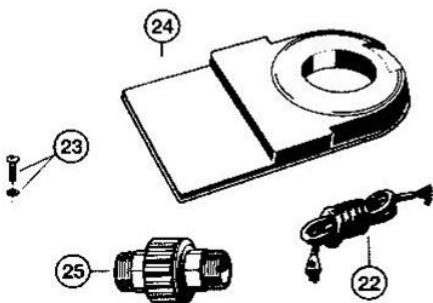
32	*	SPX1485C	Gasket	1
33	*	SPX1485B	Pump Discharge Elbow	1
34	*	SPX1425Z6	O-Ring	1
35		SPX1485A	Union Ball End	1
36		SPX1480C	Union Nut	1
37		ECX1161Z2	Pump Mounting Screw Set	2
48	*	SPX1600Z52	Anchor Screw	2

* For Ivory color drop the "T". Limited Quantity Available.

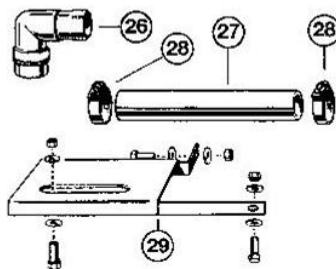


- ★ Bump Handle Screw Kit
- ★★ Filter Head Screw Set
- ★★★ Tube Sheet Hex Screw Set

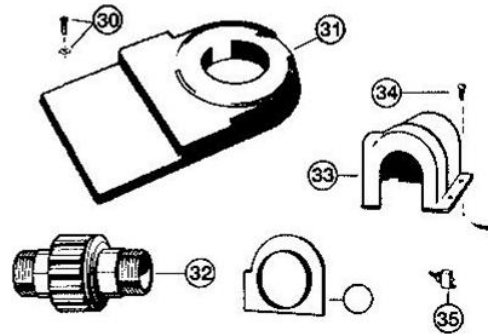
EC301500 SERIES SYSTEMS



SERIES EC40F KIT



SERIES EC4075 & EC40C75 FILTERS



REF. NO.	*IF STOCK	PART NO.	DESCRIPTION	NO. REQ'D
1		ECX10066	Bump Mechanism Cover	1
2a		ECX1131P*	Filter Head with Vent Valve-EC30	1
2b		ECX10334	Filter Head with Vent Valve -EC40	1
2c		ECX5000BP	Filter Head with Vent Valve-EC40AC	1
3		ECX1322A	Vent Valve (Threaded) with O-Ring	1
4		ECX4000C	Clamp Assembly with Hardware	1
5		ECX4000CHK	Hardware Kit for Clamp Assembly	1
6a		ECX1037A	Bump Handle Assembly Grip-EC30	1
6b	*	ECX1040	Bump Handle Assembly-EC40/EC40AC	1
8		ECX4236A	Bump Handle Screw Kit	1
8a		ECX100Z9	Pivot Pin (Long)-EC40AC Only	1
9a		ECX1009	Bump Shaft, 1/2"-EC30/EC40	1
9b		ECX5000F	Bump Shaft-EC40AC	1
10		ECX10271A	Filter Head Screw Set -EC30/EC40	10/12
11a		ECX1038	Tube Sheet (Bottom)-EC30 (top)-ECX1038A	2
		ECX1004ASET	Tube Sheet top & bottom	
12a		ECX1039	Diaphragm Gasket-EC30	1
12b		ECX1003	Diaphragm Gasket - EC40	1
12c		ECX5000G	Diaphragm Gasket-EC40AC	1
13	*	ECX1014A	Bump Shaft Kit	1
14	*	ECX1031	Flex Tube Assembly (54 for EC30, 72 for EC40/EC40AC)	54/72
15	*	SPX1500NYA	Tube Sheet Hex Screw Set -EC30/EC40	6/12
16	*	ECX270861	Pressure Gauge	1
17	*	SP1022C	Plug with Gasket	1
—	*	SP0723	Ball-Type Drain Valve w/Nipple	1
18		ECX1256	Flow Diffuser with Check Valve	1
19	*	ECX4077B1	Check Valve	1
20		ECX1055	Flow Controller	1
—		ECX1133	Flex-Tube Nest, (incls. 9, 11-15)-EC30	2
—		ECX1035	Flex-Tube Nest, (incls. 9, 11-15) — EC40	2
—		ECX4035	Flex-Tube Nest, (incls. 9, 11-15) — EC40AC	2

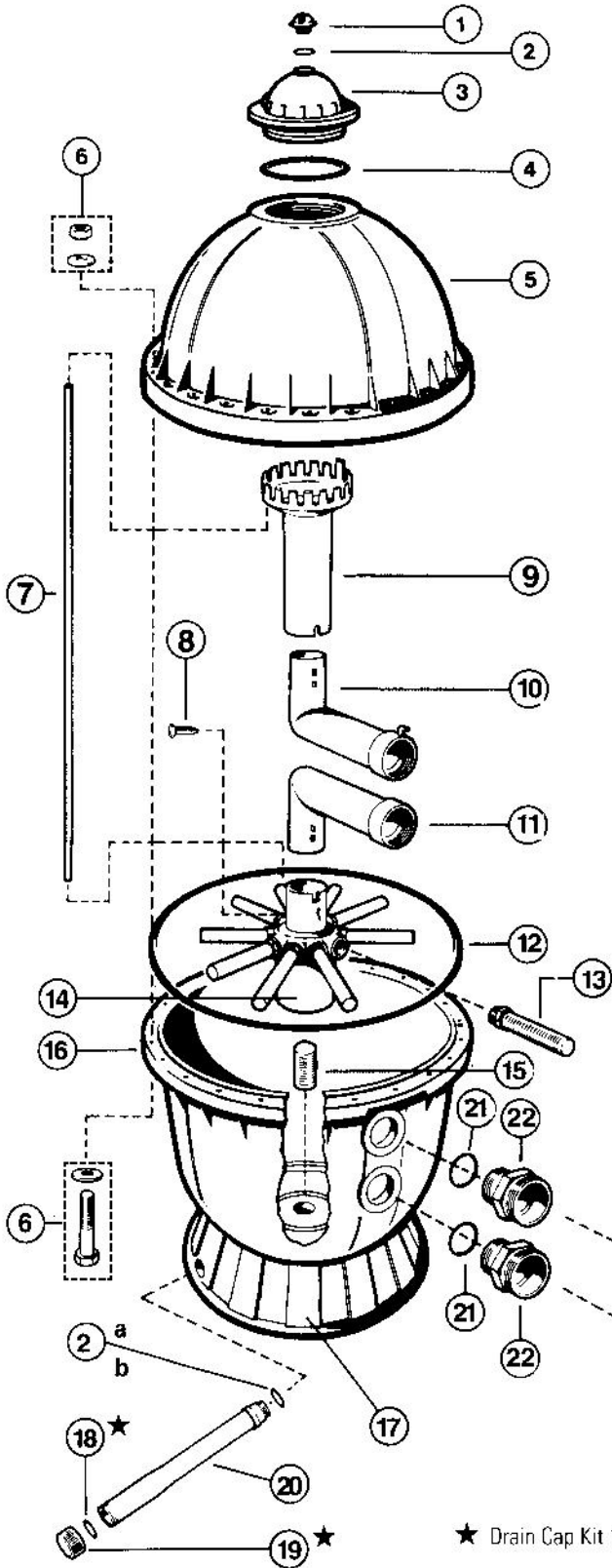
SERIES EC40F KIT

26		SPX1105Z4	1 1/2" Elbow Hose Adapter	2
27		ECX27071	1 9/16" I.D. Clear Hose	1
28		ECX18028	Hose Clamp	2

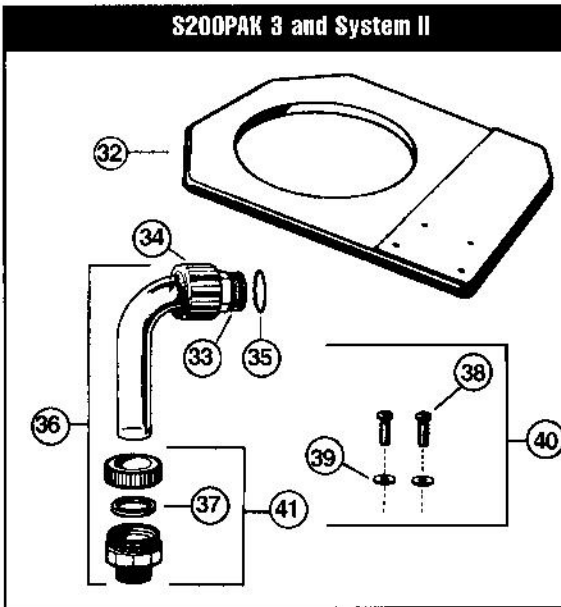
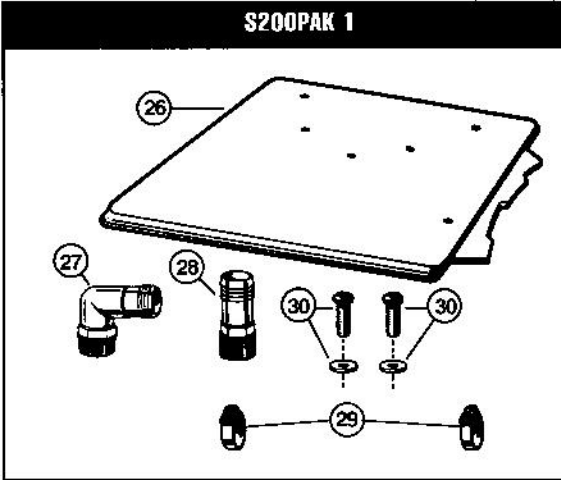
SERIES EC4075 and EC4075UL FILTERS

32	*	SP1480BLK	1 1/2" Male Union	1
36		ECX1325	Switch Assembly	1
—		SPX1250WA	6 Ft. Cord Set — no. 14/3 AWG	1

*For Ivory color drop the "P"; Limited Quantity Available.



★ Drain Cap Kit 18 & 19



Folding Umbrella Lateral Assem

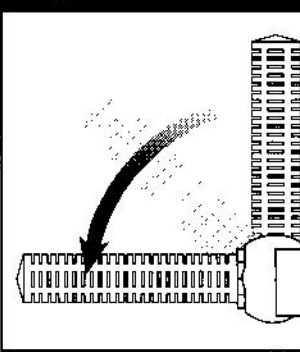
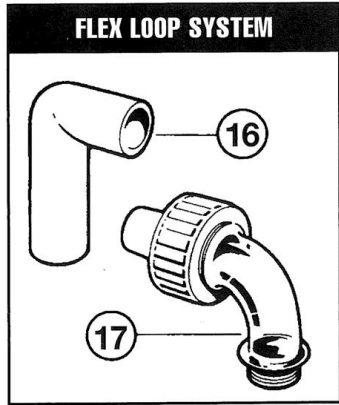
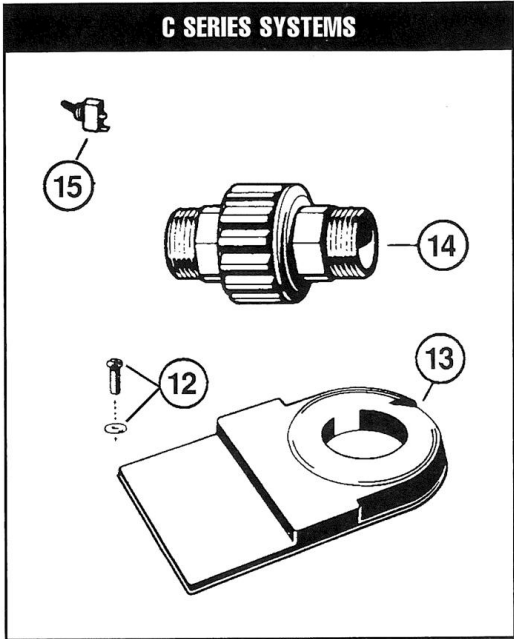
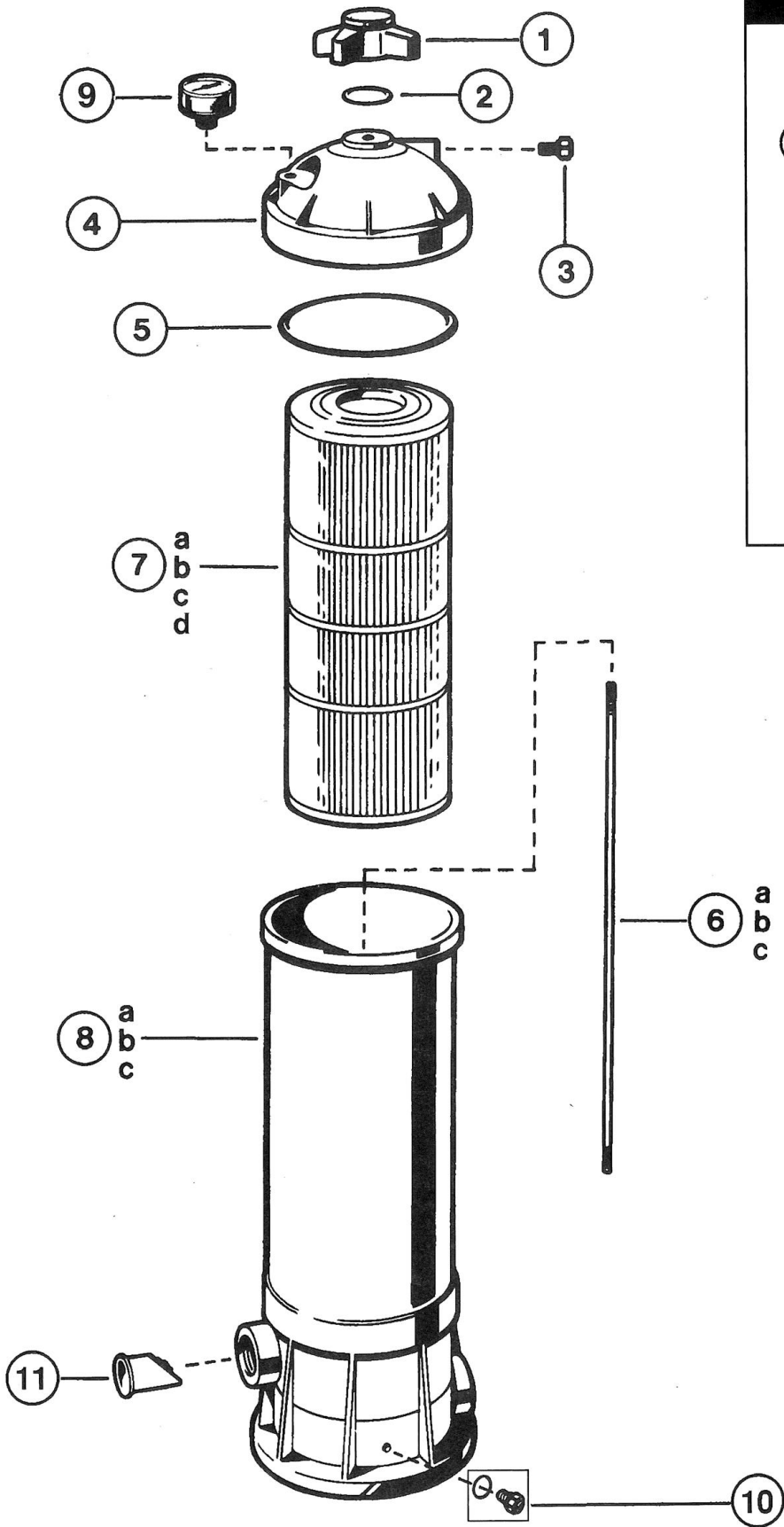


Diagram A

REF. NO.	*IF STOCK	PART NO.	DESCRIPTION	NO. REQ'D
1	*	SX200G	Manual Air Relief Cap	1
2	*	SX200Z5	O-Ring, 13/16" O.D.	1
3	*	SX200K	Access Cover	1
4	*	SX200Z6	O-Ring	1
5		SX200BT	Filter Head Taupe	1
6		ECX1642A	Head Bolt Kit (Includes 6, 7, & 8-hex nut, head bolt, and washer)	1
7		SX200Z1	Plastic Air Tube	1
8		SX200Z2	Air Tube Lock Screw	1
9		SX200L	Top Diffuser *Limited Quantity	1
10		SX200C	Internal Diffuser Elbow Pipe (top)	1
12	*	SX200Z7	O-Ring	1
13		SX200QN	Lateral, Pivot/Ball Lateral	10
14		SX202QA	Lateral Holder Assembly (See Diagram A)	1
15		SX200H	Bottom Screen	1
16		SX200AA1	Filter Tank Bottom w/Drain Assembly- Taupe	1
17		SX200J	Filter Support Stand	1
18, 19	*	SX200Z8A	Drain Kit (S200-Z-8, S200-Z-9)	1
20	*	SX200EB	Drain Pipe Assembly - (Pipe, Gasket, Cap, O-ring)	1
21	*	SX200Z3	O-Ring	2
22	*	SX200D	Bulkhead Fitting	2
23	*	SPX0710X32	Vari-Flo (control) Valve Assembly - 1-1/2"	1
24	*	ECX270861	Pressure Gauge	1
25	*	SX200Z4	O-Ring	2
S200-PAK-1				
27		SPX1105Z4	1 1/2" Elbow Hose Adapter	1
28		SPX1091Z2	1 1/2" Straight Hose Adapter	1
29		ECX18028	Hose Clamp	2
30		ECX1161Z2	Mounting Screw Set with Washers	2
S200-PAK-2, 3 and SYSTEM II				
32		ECX1291	Standard Pump/Filter Mounting Base	1
33		SPX1480A	Union Ball End	1
34		SPX1480C	Union Nut	1
35	*	SPX1425Z6	O-Ring	1
36		SPX1485B3	Union Elbow w/Compression Assembly (Does not include #34 & 35)	1
37		SPX1485G	Compression Gasket (1987)	1
39		ECX1109	5/16" Washer	2
41		SPX1485DA	Compression Fitting Assembly w/Gasket	1

Miami also stocks miscellaneous parts for previously sold Hayward products such as: S160T and S240T Sand Filters. Call For Details!



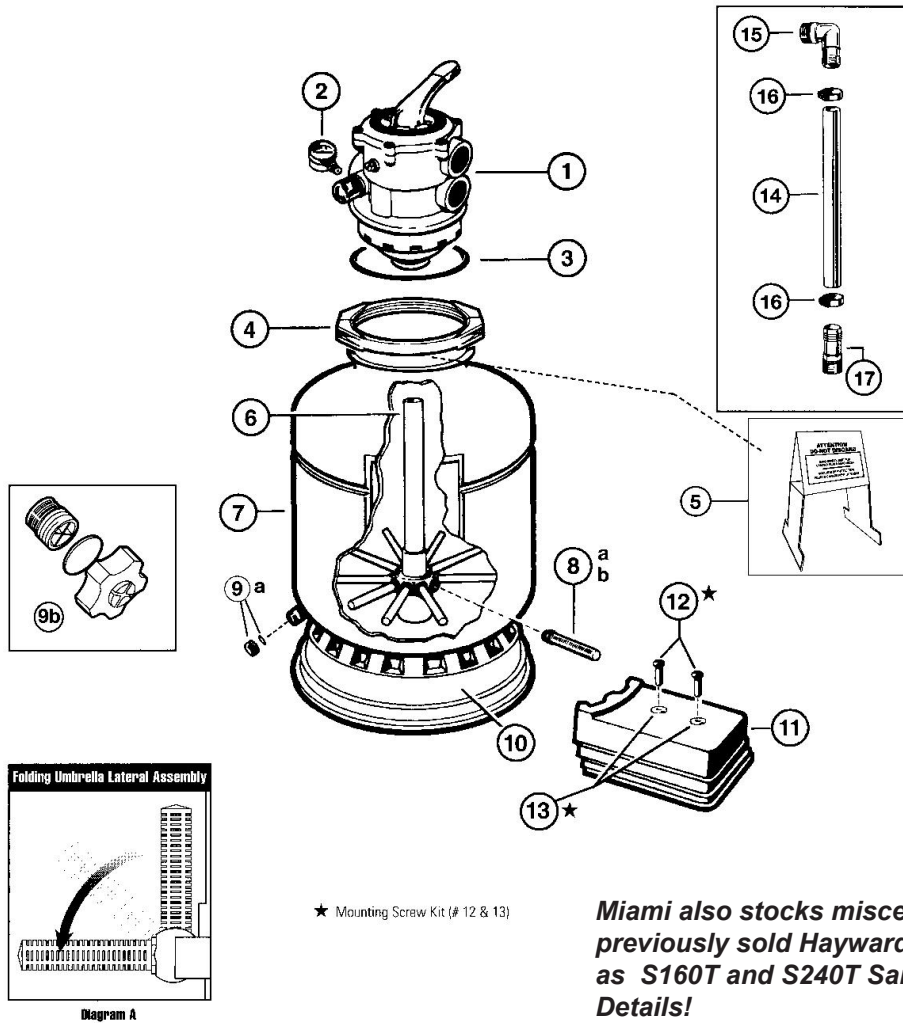
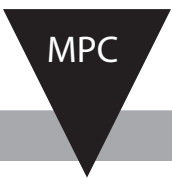
REF. NO.	*IF STOCK	PART NO.	DESCRIPTION	NO. REQ'D
1		CX250G	Locking Knob	1
2		CX250Z7	O-Ring	1
3		ECX1322A	Directional Vent Valve with O-Ring	1
4		CX250C	Filter Head (dome) with Air Relief Valve	1
5		CX250F	Filter Head Gasket	1
6a		CX250Z2S	Tie Rod (C250), 18 9/32"	1
6b		CX500Z2S	Tie Rod (C500), 28 3/32"	1
6c		CX750Z2S	Tie Rod (C750, C100), 38 1/16"	1
7a		CX250RE	Cartridge Element (C250-RE)	1
7b	*	CX500RE	Cartridge Element (C500-RE)	1
7c		CX750RE	Cartridge Element (C750-RE)	1
9	*	ECX27091	Pressure Gauge, Back Mount	1
10		CX250Z14A	Drain Plug Kit	1
11	*	ECX4077B1	Check Valve (Optional)	1

C SERIES SYSTEMS

12		ECX1108A	Pump Mounting Screw w/Washer	
14	*	SP1480BLK	1 1/2" Male Union	1
15		ECX1325	Switch Assembly	1
-		SPX1250WA	6 Ft. Cord Set - No. 14/3 AWG	

MODULAR FLEX LOOP SYSTEMS

17		SPX14853	Sweep Elbow Union Assembly	
16		ECX1326A	Flex Loop Elbow	



★ Mounting Screw Kit (# 12 & 13)

Miami also stocks miscellaneous parts for previously sold Hayward products such as S160T and S240T Sand Filters. Call For Details!

REF. NO.	*IF STOCK	PART NO.	DESCRIPTION	NO. REQ'D
1a	*	SP0714T	1 1/2" Vari-Flo XL Control Valve - 7 Position	1
2	*	ECX270861	Pressure Gauge	1
3	*	GMX600F	Valve/Tank O-Ring	1
4	*	GMX600NM	Flange Clamp (Valve-Tank)	1
5		SX202S	Sand Shield	1
6	*	SX164DA	Folding Lateral Assembly w/Center Pipe (1997-)	1
8a	*	SX200Q	Threaded Lateral	10
8b	*	SX200QN	Pivot/Ball Lateral	10
9a	*	SX180HG SX180LA	Drain Cap & Gasket (2005 and Prior) Drain Cap Assembly (Cap, Gasket, Screen)	1
10		SX164B	Filter Support Stand (Skirt)	1
11		SX164C	Pump Base	1
-		SX180K	System Base (S166T Series 1999 -)	1
12, 13		ECX1108A	5/16" x 3/4" Mounting Screw Kit	1
14		SX160Z4	26" Long Hose	1
15		SPX1105Z4	1 1/2" Elbow Hose Adapter	1
16		ECX18028	Hose Clamp	2
17		SPX1091Z2	1 1/2" Straight Hose Adapter	1

MPC



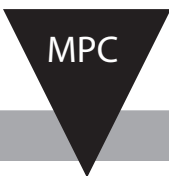
KDI PARAGON LIGHT

*IF STOCK	PART NO.	DESCRIPTION
	JDD250	Paragon Slimlite Bulb, 250W, 120V- Call for pricing and availability
	56802	Lens for Dynalite, Special Order Only
	56806	Paragon Dynalite Bulb 250W, 120V, Special Order Only
	56810	Paragon Dynalite Gasket, ea., Special Order Only
*	56809	Paragon Slimlite Lens Gasket 8.375 inch



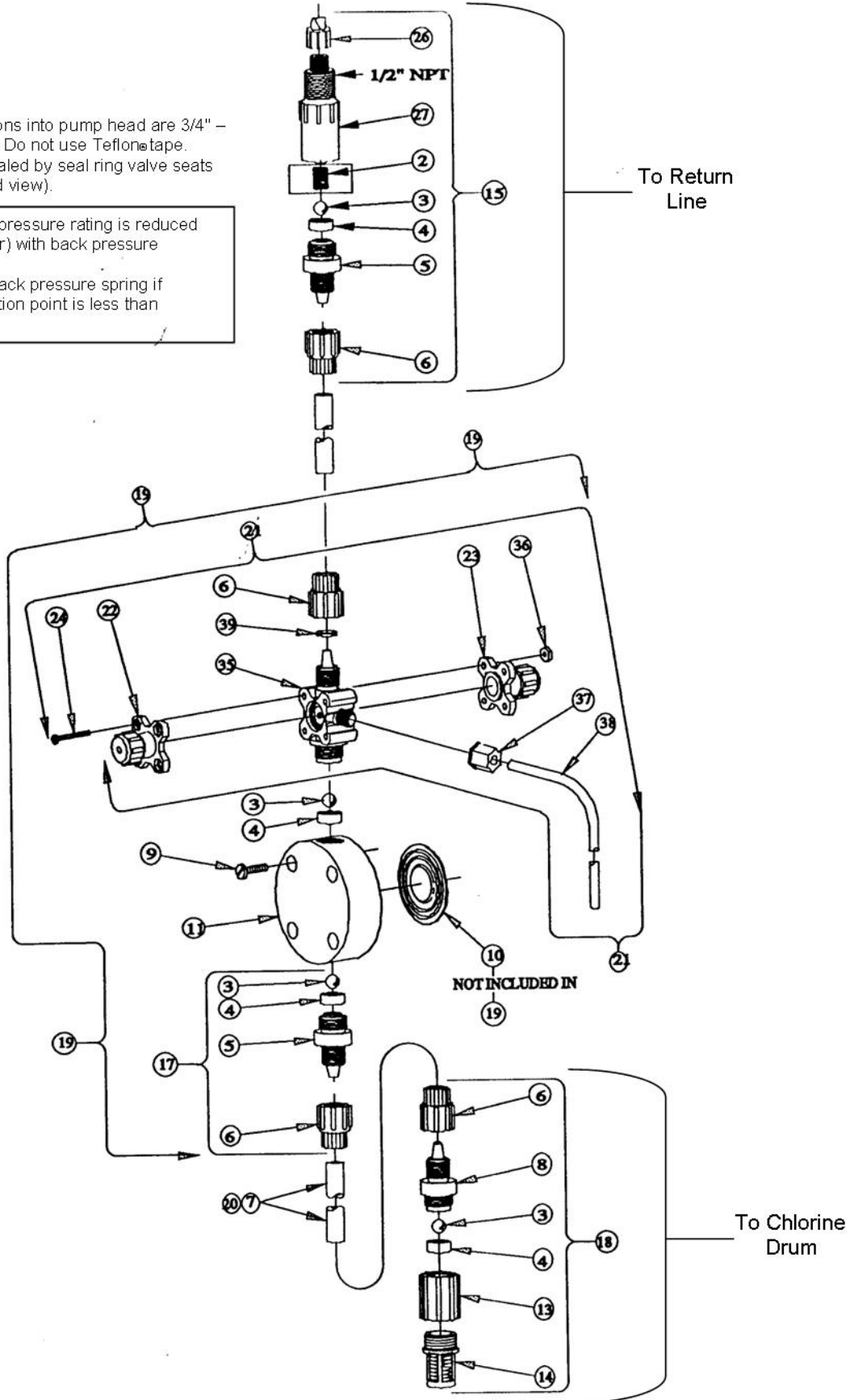
PARAGON LADDER TREADS

*IF STOCK	PART NO.	DESCRIPTION
*	44101	Paragon 19" Vertical Step
*	44104	Paragon 19" Sloping Step
*	44107	Paragon 26" Vertical Step
*	44109	Paragon 26" Sloping Step



NOTE:
Threaded connections into pump head are 3/4" - 16 straight threads. Do not use Teflon tape. These joints are sealed by seal ring valve seats (Item 4 on exploded view).

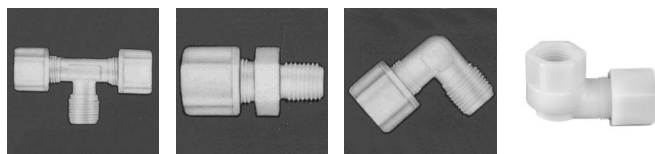
1. Maximum pump pressure rating is reduced by 25 psi (1.7 bar) with back pressure spring installed.
2. Do not remove back pressure spring if pressure at injection point is less than 20 psi (1.4 bar).



ITEM NO.	*IF STOCK	PART NO.	DESCRIPTION	Tubing Size		
				1/2"	3/8"	1/4"
				B131 LE-71S	A151 LE-91S	A141 LE-150
2		LMI-10339**	Spring, PVDF Coated	1	1	1
3	*	LMI-10338**	Ball, Ceramic	4	4	4
4	*	LMI-10407**	Seal Ring, Teflon	4	4	4
5		LMI-10492	Valve Seat, PVC	2	0	0
6	*	LMI-10411	Coupling Nut, PVC	4	0	0
6	*	LMI-10299	Coupling Nut	0	4	4
7	*	LMI-25636	Tubing, .25" OD Hard	0	0	1
7	*	LMI-10342	Tubing, .375" OD Hard	0	1	0
7	*	LMI-10142	Tubing, .5" OD Hard	1	0	1
8		LMI-10493	Valve Housing, PVC	2	0	0
9	*	LMI-10340	Screw, 10-24 x 3/4"SS	4	4	4
10	*	LMI-31420+	Liquifram, 1.8 SI Teflon	1	0	0
10	*	LMI-30917*	Liquifram, 0.9 SI Teflon	0	1	0
10		LMI-30916	Liquifram, 0.5 SI Teflon	0	0	1
12		LMI-10322	Weight, Ceramic	1	1	1
14		LMI-10123	Strainer, Polypropylene	1	1	1
15	****	LMI-45728	Inj.Check/Back-Press.Valve Assembly	1	1	1
15		LMI-77382	Tubing Connection Kit 1/4"	0	0	1
15		LMI-77383	Tubing Connection Kit 3/8"	0	1	0
15		LMI-77384	Tubing Connection Kit 1/2"	1	0	0
18	****	LMI-49100	Foot Valve Assembly	1	1	1
18		LMI-77382	Tubing Connection Kit 1/4"	0	0	1
18		LMI-77383	Tubing Connection Kit 3/8"	0	1	0
18		LMI-77384	Tubing Connection Kit 1/2"	1	0	0
20	*	LMI-10469	Tubing Vinyl, .375" OD Soft	0	1	0
20	*	LMI-10141	Tubing Vinyl, .5" OD Soft	1	0	0
30		LMI-28663	Ferrule (# not shown)	0	0	4
37		LMI-25631	Nut Ferrule	1	1	1
38	*	LMI-25636	Tubing, .25" OD Hard	1	1	1
39	*	LMI-26136	Slip Ring	0	3	0
	*	LMI-37203	.5 Clamp Ring			
	*		* Parts included in Spare Parts Kit	3/8"	LMI-SP-U1	
	*		+ Parts included in Spare Parts Kit	1/2"	LMI-SP-U2	
				1/4"	LMI-SP-U9	

****For Injector and Foot Valve order the correct connection kit.

JACO PARTS



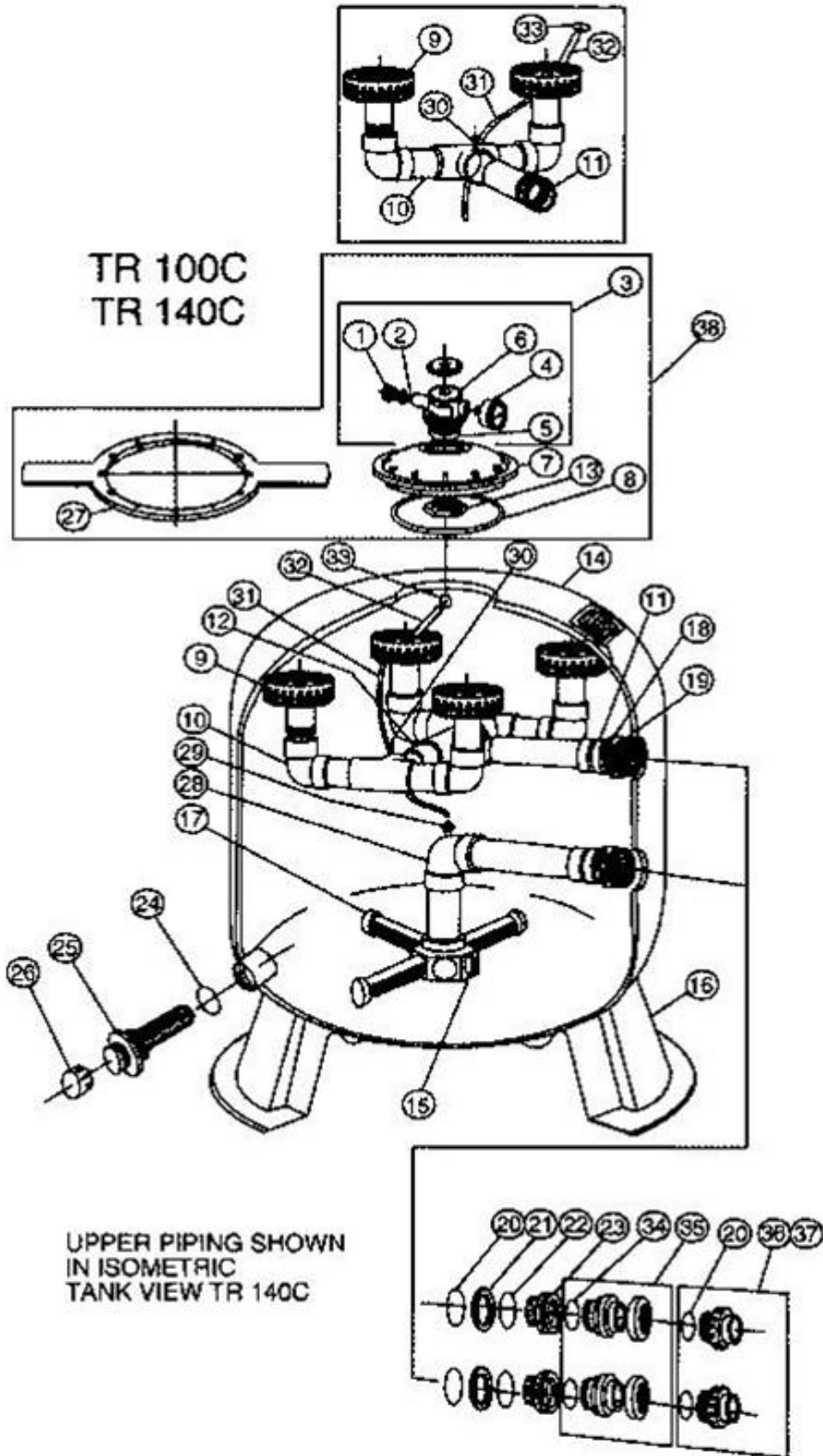
JACO-61075	3/8" Tee Hose Fitting
JACO-61076**	1/2" Tee Hose Fitting
JACO-61091**	3/8" Connector Hose Fitting
JACO-61093	1/2" Connector Hose Fitting
JACO-61098**	3/8" 90° Elbow Hose Fitting
JACO-61100**	1/2" 90° Elbow Hose Fitting
JACO-61127**	3/8" Insert for Fitting
JACO-61128**	1/2" Insert for Fitting
JACO-61222**	Connector 3/8" tube to 1/2" MPT
JACO-61104	3/8" 90° Elbow tube to 1/4" FPT

** Non-stock item.

Pentair

Comm. TR-100C and TR-140C-8-1/2" Closure

MPC



COMMERCIAL TR-100C AND TR-140C FILTER WITH 8-1/2" CLOSURE

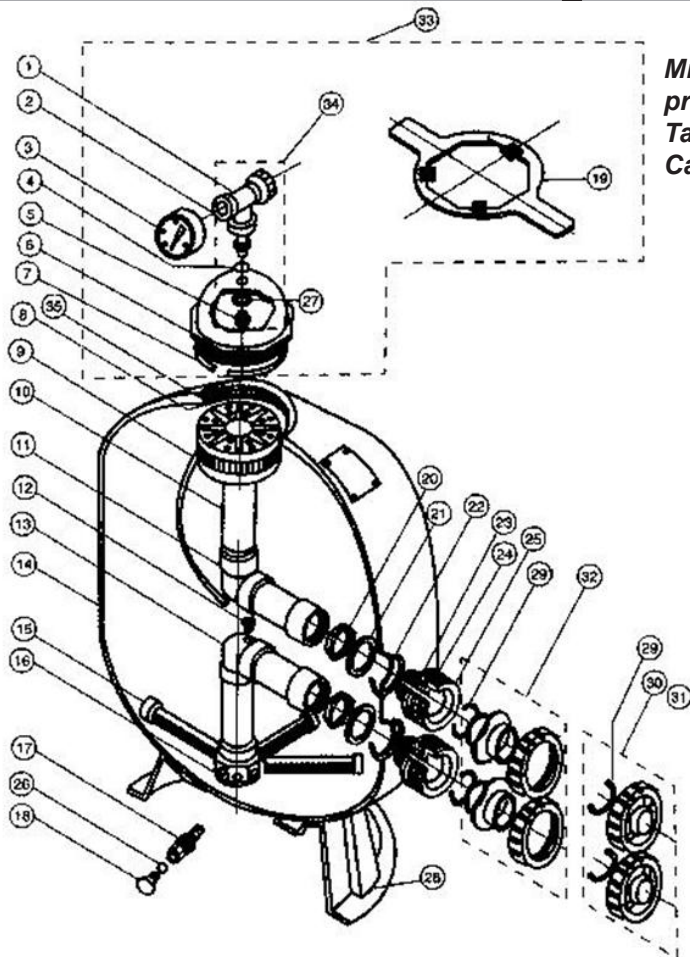
REF. NO.	*IF STOCK	PART NO.	DESCRIPTION
1		273512	Air bleeder w/o-ring
2		273513	O-ring bleeder screw
3	*	273564	Manual air relief body assy.
4		190059	Pressure gauge
5		274495	O-ring 3/16" x 2-5/8" i.d.
6	*	273564	Valve body machined
7	*	154575	Closure 8-1/2" btr.
8	*	152509	Square ring 8-1/2"
9		154599	Diffuser Assembly
10		156355	Piping assy. upper TR-100C, TR-140C (1)
11		156344	Piping assy. upper inlet TR-100C, TR-140C
12		156354	Piping connecting assy. upper TR-140C
13		154412	Nut 2 in. internal
14		153430	Tank & ft. assy. TR-100C 8-1/2 in. btr thd.-blk
14		153431	Tank & ft. assy. TR-140C 8-1/2 in. btr thd.-blk
15		15-4453	Hub lateral TR-100C/TR-140C
16		154596	Foot 24 in. dia. TR-100C/TR-140C
17	*	15-2202	Lateral 9-1/8 in. TR-100C, 8 req.
17	*	15-4540	Lateral 12 in. TR-140C, 8 req.
18		154412	Locknut 2 in. internal
19		154416	Spacer 2 in. internal
20		154492	O-ring 2 in. bulkhead
21		154408	Spacer 2 in. external
22		154538	Gasket 2 in. bulkhead
23		154405	Bulkhead 2 in.
24		154492	O-ring 3/16 in. x 2-5/8 in. i.d.
25		152220Z	2 in. sand drain (Left-hand thread)
26		154871	Cap thd 1-1/2 in.
27		154527	Wrench 8-1/2 in. closure
28		154807	Piping assy. lower TR-100C
28		154489	Piping assy. lower TR-140C
29		150036	Connector air relief tube (3)
30		273071	Screw #14 18-8 TR-100C (1)
31		154437	Tube air relief TR-100C (2)
31		150041	Tube air relief TR-100C (3)
31		154438	Tube air relief TR-140C (2)
31		150042	Tube air relief TR-140C (3)
32		154507	Spacer air vent strainer TR-100C 6-3/4 in.
32		154508	Spacer air vent strainer TR-140C 10-5/16 in.
33		154578	Strainer air relief (2)
		150035	Strainer air relief (3)
		274494	O-ring valve adapter
35	*	27-1096	1-1/2 in. & 2 in. slid adapter kit for inst. w/o valve (pair)
36		271092	2 in. thd. adapter kit for inst. w/o valve (pair)
37		271094	1-1/2 in. thd. adapter kit for inst. w/o valve (pair)
38	*	154856	Kit closure 8-1/2 in. btr. thd.-blk

1 Different quantities required for TR-100C and TR-140C Filters.

2 Use on filters manufactured before 11-1-99.

3 Use on filters manufactured after 11-1-99.

Miami also stocks miscellaneous parts for previously sold Pentair products such as: Tagleus and Nautilus Sand Filters. Call for Details.



Miami also stocks miscellaneous parts for previously sold Pentair products such as: Tagleus and Nautilus Sand Filters. Call for Details.

Filters manufactured after Dec 1, 1991 utilize a 6 in. btr. thread in the filter tank top opening and on the closure, see Detail A.

Filters manufactured before Dec 1, 1991 utilize a 6 in. "V" type thread, see Detail B.

6 in. closures in Detail A and B are NOT interchangeable.



Detail A, (after 12/1/91)
6 in. btr. Thread.



Detail B, (before 12/1/91)
6 in. "V" Thread.

To determine manufacture date, the first 4 digits of the serial number indicate the month and year product was manufactured.

TRITON II™ FIBERGLASS SAND FILTER REPLACEMENT PARTS

REF. NO.	*IF STOCK	PART NO.	DESCRIPTION
1		154689	Air bleed/tee assembly
2		154700	Adaptor – brass air bleeder
3		190059	Gauge – back mount pressure
4		154661	O-ring – air bleeder adaptor
5		154664	Nut – 3/8" – 16SS
6		152519Z	Closure – 6" buttress thread with o-ring
6		154559	Closure-6" 'V' thread – blk (See Detail B)
7		154493	O-ring – closure, white
8		154578	Strainer – air relief 1/4" (Nov.1, 1999 and prior)
8		150035	Strainer – air relief 3/8" (After Nov. 1, 1999)
9		154435	Tube – air relief TR40 (Nov. 1, 1999 and prior)
9		150039	Tube – air relief TR40 (After Nov. 1, 1999)
9		154436	Tube – air relief TR50/60 (Nov. 1, 1999 and prior)
9		150040	Tube – air relief TR50/60 (After Nov. 1, 1999)
9		154437	Tube – air relief TR100 (Nov. 1, 1999 and prior)
9		150041	Tube – air relief TR100 (After Nov. 1, 1999)
9		154438	Tube – air relief TR140 (Nov. 1, 1999 and prior)
9		150042	Tube – air relief TR140 (After Nov. 1, 1999)
10		154598	Diffuser Assembly TR40/50
10		154599	Diffuser Assembly TR60
10		154462	Diffuser Assembly TR100
10		154906	Diffuser Assembly TR140
11		154803	Piping Assembly – upper TR40
11		156814	Piping Assembly – upper TR50
11		154533	Piping Assembly – upper TR60
11		154426	Piping Assembly – upper TR100

REF. NO.	*IF STOCK	PART NO.	DESCRIPTION
11		154500	Piping Assembly – upper TR140
12		150036	Connector – air relief tube (After Nov. 1, 1999)
13		154801	Piping assembly – lower TR40
13		156816	Piping assembly – lower TR50
13		155284	Piping assembly – lower TR60 (After June 2007)
13		154807	Piping assembly – lower TR/PF100
13		154489	Piping assembly – lower TR140
14		154636	Tank & foot assembly TR40 – 6" buttress thread – blk (See Detail A)
14		154638	Tank & foot assembly TR60 – 6" buttress thread – blk (See Detail A)
14		154639	Tank & foot assembly TR100 – 6" buttress thread – blk (See Detail A)
14		154640	Tank & foot assembly TR140 – 6" buttress thread – blk (See Detail A)
15	*	15-2290	Lateral – 6 11/16" L TR40/50/60, 8 req.
15		150085	Lateral, TR60 Gray, 1/4 turn (After June 2007)
15	*	‡‡ 152202	Lateral – 9 1/8" L TR100, 8 req. (After May 1985)
15	*	15-4540	Lateral – 12" L TR140, 8 req.
16		154763	Hub – lateral TR40/50/60
16		154453	Hub – lateral TR100/140
-		152220Z	Sand drain 2" (Left-hand thread)
17		*154698	Spigot – 3/4" NPT sand drain
-		154871	Cap thread – 1 1/2"
18		357161	Plug – 1/4" NPT drain
19		154512	Wrench – 6" closure
19		154510	Wrench – Closure aluminum
20		154412	Locknut – 2" internal, 2 req.
21		154416	Spacer – 2" internal, 2 req.
22		154492	O-ring – 2" bulkhead, 2 req.
23		154408	Spacer – 2" external, 2 req.
24		154538	Gasket – 2" bulkhead, 2 req.
25		154405	Bulkhead – 2", 2 req.
26		192115	O-ring drain plug
27		154418	Washer – 3/8" S/S
28		154926	Foot – 16" diameter, TR40/50 (See Note 1)
28		154520	Foot – 19" diameter, TR60 (See Note 1)
28		154596	Foot – 24" diameter, TR100/140 (See Note 1)
—		154402	Tape-foot mounting TR40/50/60, 3 req.
—		154407	Tape-foot mounting TR100/140, 3 req.
29		274494	O-ring – valve adaptor, 2 req.
30		« 271092	Kit – 2" thread adaptor
31		« 271094	Kit – 1 1/2" thread adaptor
32	*	« 27-1096	Kit – 1 1/2" & 2" slip adaptor (For installations w/out valve, pair)
32		274426	Adapter Kit, 1-1/2" x 2"
33		154641	Kit – closure, 6" buttress thread – blk (See Detail A)
33		154697	Kit – closure, 6" V thread – tan (See Detail B)
33		154856	Kit - closure, 8-1/2" btr. thread, black
34	*	15-4687	Fitting package – complete
—		151602	Bulkhead wrench, 2"
—		154714	Bulkhead kit
35		154611	Spacer – air vent strainer 3 3/4" – TR40
35		154612	Spacer – air vent strainer 4 1/2" – TR50/60
35		154613	Spacer – air vent strainer 5 1/2" – TR100
35		154614	Spacer – air vent strainer 5" – TR140

< USED ON TRITON FILTERS BUILT BEFORE FEBRUARY 1989

<< USED ON TRITON FILTERS BUILT AFTER FEBRUARY 1989

‡ USED ON TRITON FILTERS BUILT BEFORE MAY 1985

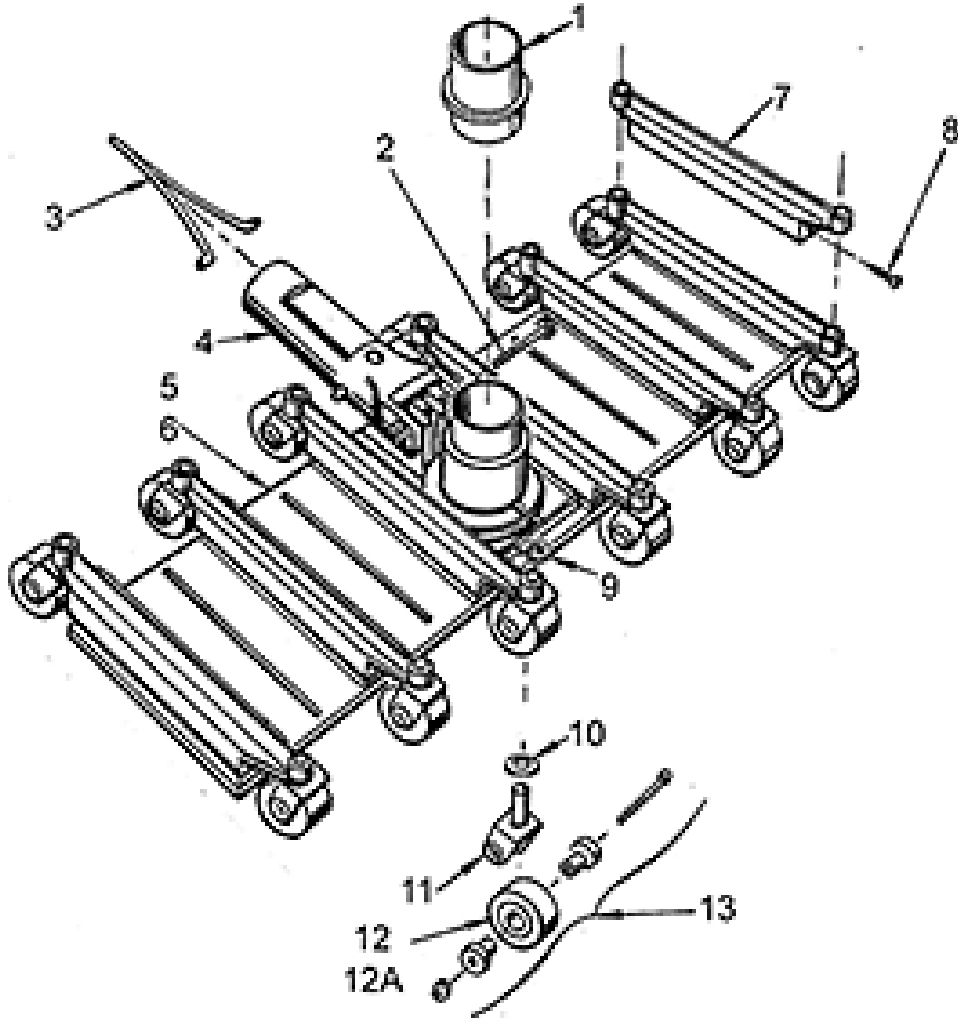
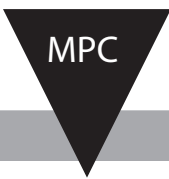
‡‡ USED ON TRITON FILTERS BUILT AFTER MAY 1985

* USED ON TRITON FILTERS BUILT AFTER MARCH 1983-1996

** USED ON TRITON FILTERS BUILT BEFORE MARCH 1983

« FOR INSTALLATIONS WITHOUT VALVE (PAIR)

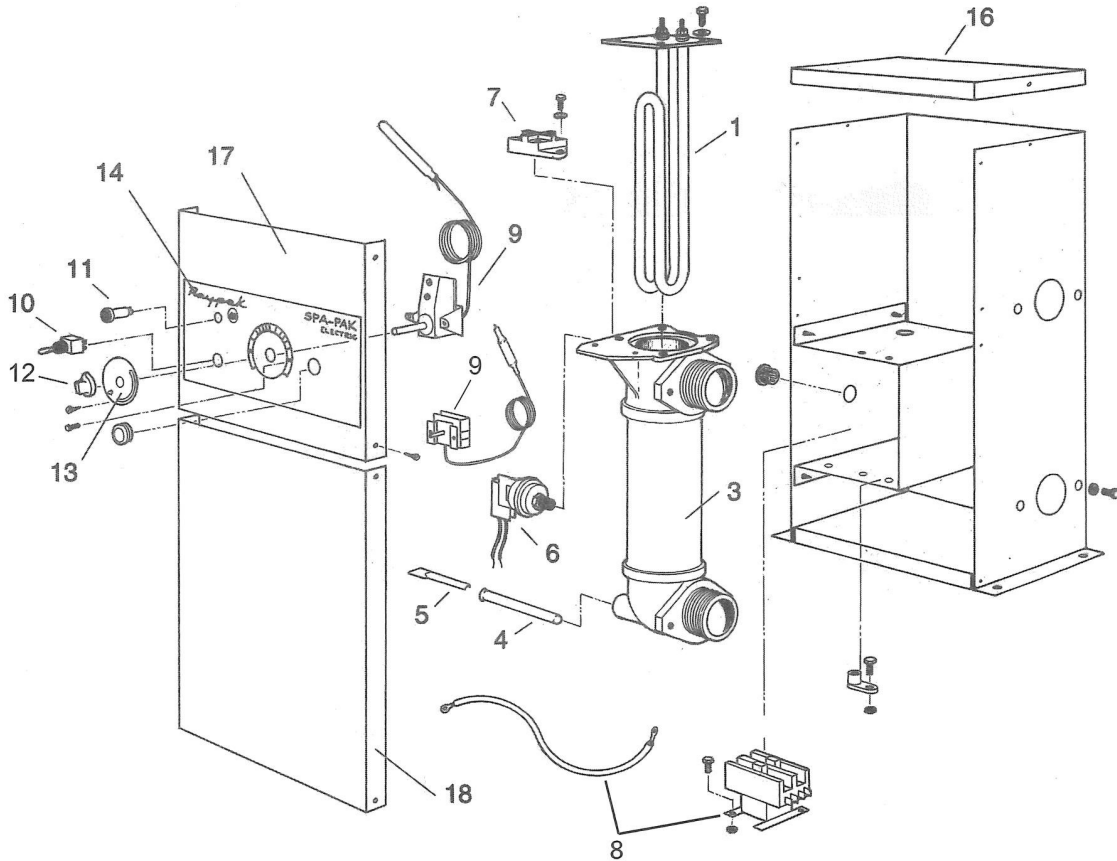
Note 1: Replacement of tank foot requires the use of foot mounting tape. See part numbers listed.



RAINBOW PLASTICS 250 COMMERCIAL VAC HEAD

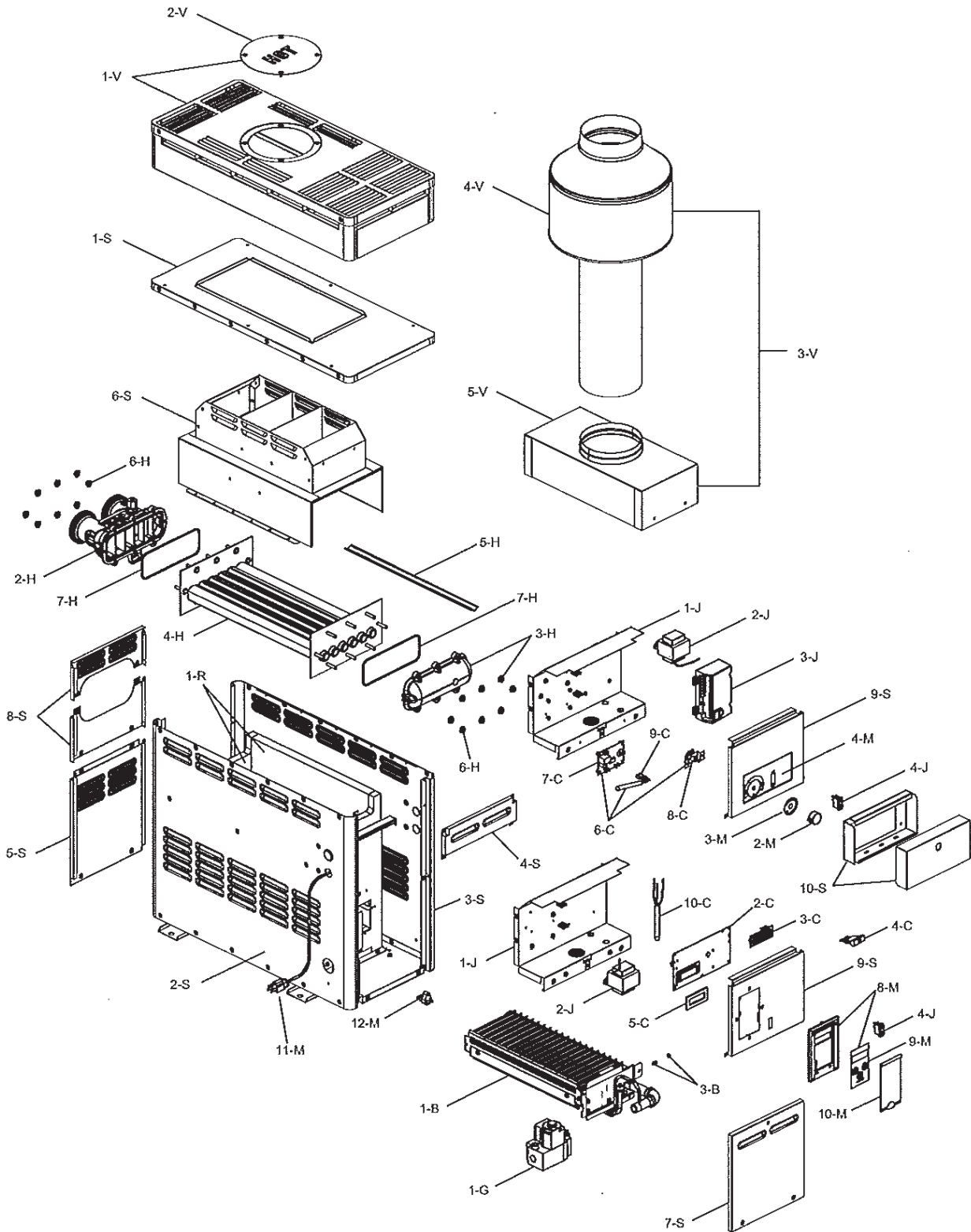
REF. NO.	*IF STOCK	PART NO.	DESCRIPTION
1	*	258	Swivel
3	*	37650	Spring Clip, set of 2
4	*	8910	Handle Replacement with spring clip
7	*	265	Caster Support
9	*	267	Retainer Clip, stainless steel
10	*	266	Wheel Adjustment Washers (set of 8)
11	*	263	Caster
12	*	R03022	Solid Polyurethane Wheel
13	*	201500	#250 Replacement Kit; 4 each: #177 wheels, #263 casters, #264 axle assembly, #267 clips;
12A	*	264	Bubble pack Card; 24 per case Axle Assembly = 1 bolt, 1 nut, 2 inserts

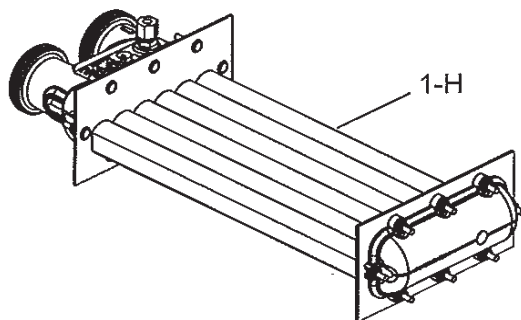
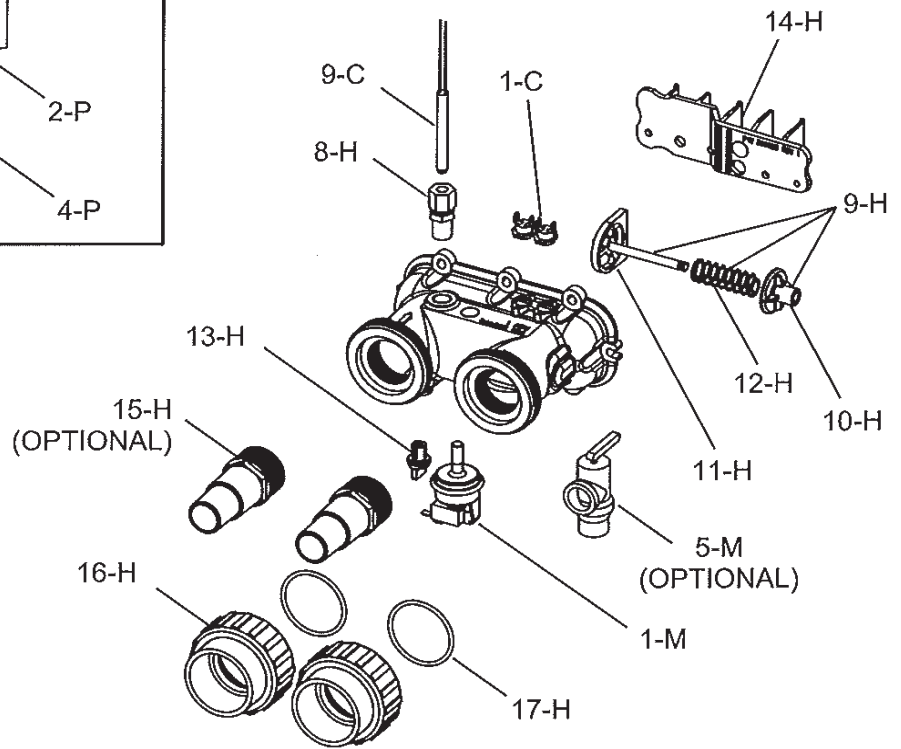
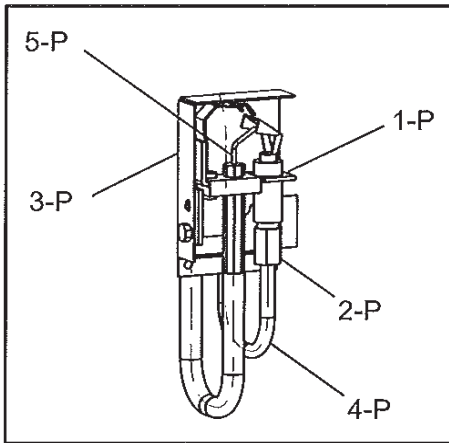
DATE OF MANUFACTURE: 11-01-83 THRU CURRENT



*IF STOCK		DESCRIPTION	ELS 552-2	ELS 1102-2
1	*	Element	001801F	001802F
2		Element Gasket (Not Shown)	800164	800164
3		Element Tube Assy.	001805F	001808F
4		Sensor Well	004087F	004087F
5		Well Retaining Clip	300203	300203
6	*	Pressure Switch	062237B	062237B
7		High Limit	001811F	001811F
8		Contact/Wire Kit	001813F	001813F
9	*	Thermostat Control	003346F	003346F
10		Toggle Switch	650761	650761
11		Indicator Light	001812F	001812F
12		Knob	006885F	006885F
13		Knobstop	006886F	006886F
14		Dial Plate	900615	900615
15		Wire Kit (Complete)	N/A	N/A
16		Jacket Top	N/A	N/A
17		Upper Front Panel	N/A	N/A
18		Lower Front Panel	N/A	N/A

See Pricing for Stock Items on page 94.







REF. #	*IF STOCK	DESCRIPTION	106A	156A
BURNER TRAY				
1-B		BURNER TRAY (SEA LEVEL)*		
		NATURAL GAS	014841F	014842F
		PROPANE GAS	014845F	014846F
		BURNER TRAY W/GAS VALVE (SEA LEVEL)*		
		NATURAL GAS	014849F	014850F
		PROPANE GAS	014853F	014854F
2-B		BURNER	N/A	N/A
3-B		BURNER ORIFICE (SEA LEVEL)*		
		NATURAL 1.30MM	014857F/13	014858F/19
		PROPANE .84MM	014861F/13	014862F/19
CONTROLS				
1-C		THERMOSTAT AUTO RESET 135 DEG SURFACE MOUNT	006725F	006725F
2-C		P.C. BOARD/CONTROL (DIGITAL)	N/A	013464F
3-C		LCD DISPLAY	N/A	013640F
4-C		FUSE 5 AMP	N/A	013733F
5-C		SEAL GASKET	N/A	014866F
6-C	*	THERMOSTAT CONTROL (ANALOG)	011585F	N/A
7-C		PC BOARD	014923F	N/A
8-C		POTENTIOMETER	011586F	N/A
9-C		TEMPERATURE SENSOR ANALOG (2 WIRE)	011587F	N/A
10-C		TEMPERATURE SENSOR DIGITAL (3 WIRE)	N/A	009577F
GAS VALVE				
1-G	*	COMBINATION VALVE NAT.	014867F	014867F
		COMBINATION VALVE PRO.	014868F	014868F
HEAT EXCHANGER - POLYMER				
1-H		HEAT EXCHANGE ASSY COPPER	014869F	014870F
2-H		INLET/OUTLET HEADER COMPLETE	014873F	014873F
		INLET/OUTLET HEADER (INCLUDES 6-H)	011595F	011595F
3-H		RETURN HEADER (INCLUDES 6-H)	011596F	011596F
4-H		TUBE BUNDLE COPPER**	014874F	014875F
5-H		BAFFLE (CUPRO NICKEL)	N/A	N/A
6-H		FLANGE NUT KIT	008259F	008259F
7-H		O-RING GASKET (2)	011600F	011600F
8-H		SENSOR ADAPTER	006714F	006714F
9-H		BYPASS KIT	014880F	014880F
10-H		BYPASS VALVE	006716F	006716F
11-H		BYPASS DAM/SHAFT	006717F	006717F
12-H		BYPASS SPRING	014881F	014881F
13-H		DRAIN PLUG	006721F	006721F
14-H		INLET/OUTLET HEADER DAM	014882F	014882F
15-H		HOSE ADAPTER 1.5" MPT X 1.5" HOSE (OPTIONAL)	011635	011635
16-H		2" CPVC CONNECTOR & NUT (2)	006723F	006723F
17-H		O-RING SEAL (2)	006724F	006724F
CONTROL BOX				
1-J		CONTROL BOX ANALOG (INCLUDES 7-C)		
		NATURAL GAS	014883F	N/A
		PROPANE GAS	014913F	N/A
2-J		TRANSFORMER 120/240/24V		
	*	ANALOG	011605F	N/A
	*	DIGITAL	N/A	006736F
3-J		IGNITION CONTROL NATURAL GAS (ANALOG)	004817B	N/A
		IGNITION CONTROL PROPANE GAS (ANALOG)	004818B	N/A
4-J		ROCKER SWITCH	009493F	009493F
MISCELLANEOUS COMPONENTS				
1-M	*	PRESSURE SWITCH 1.75 PSI	006737F	006737F
		PRESSURE SWITCH 11 PSI SPECIAL-SEE ADJ IN SERVICE MANUAL	009133F	009133F
2-M		THERMOSTAT KNOB	009499F	009499F
3-M		KNOB STOP	006886F	006886F

*FOR ALTITUDES ABOVE 2,000 FEET ABOVE SEA LEVEL, CONSULT THE FACTORY.

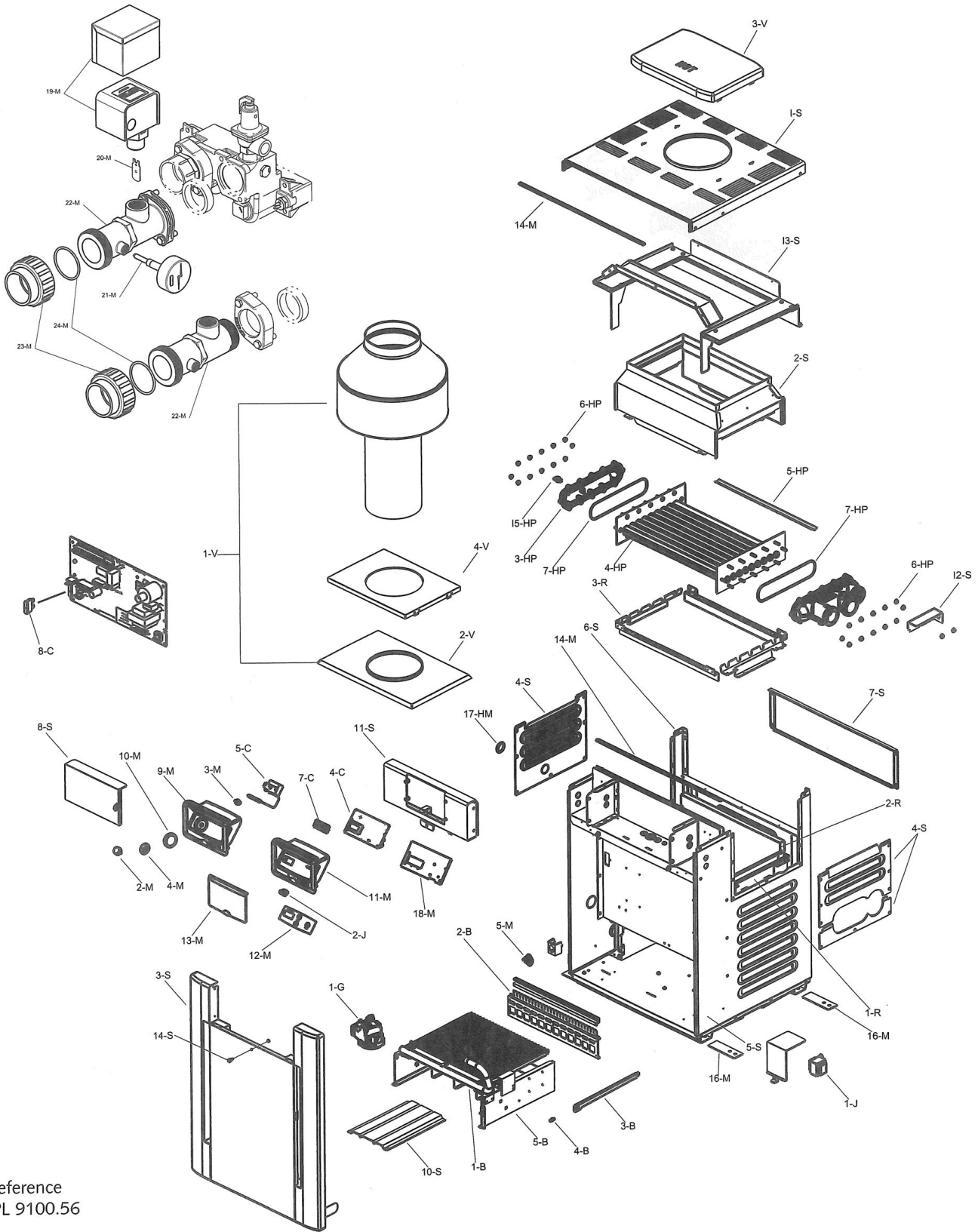
**WARNING: The Hydraulic conditions of water chemistry that caused the tube bundle to fail have very likely also damaged the bypass valve. We recommend you inspect the bypass assembly. Failure to do so could cause premature failure of this replacement part.

* DENOTES STOCK ITEMS -PRICING ON PAGE 94

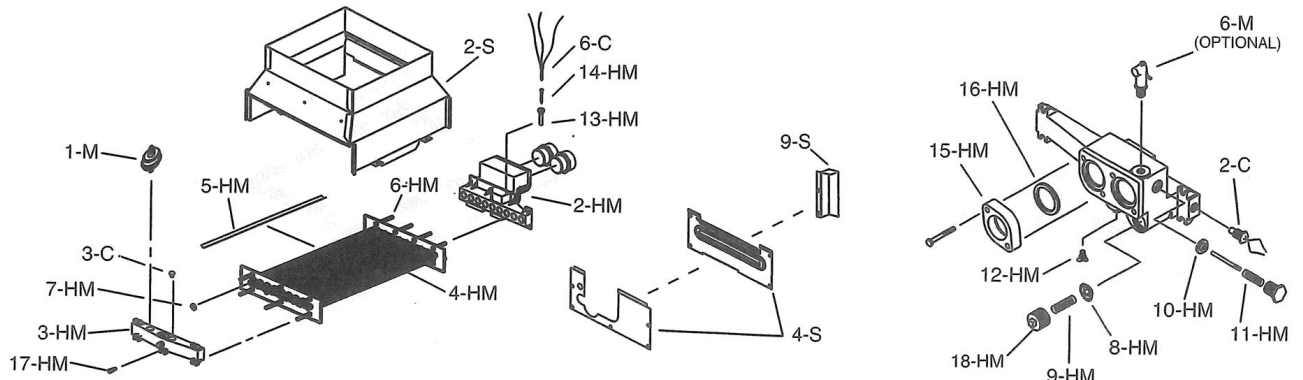
REF. #	*IF STOCK	DESCRIPTION	106A	156A
4-M		DIAL PLATE (ANALOG)	014912F	N/A
5-M		PRV 125 PSI (OPTIONAL)	008091F	008091F
6-M		DELIMING KIT (NOT SHOWN)	052871F	052871F
7-M		WIRE HARNESS ANALOG (NOT SHOWN)	014884F	N/A
		WIRE HARNESS DIGITAL (NOW SHOWN)	N/A	014885F
8-M		CONTROLL BEZEL DIGITAL (INCLUDES SWITCH DECAL)	N/A	014886F
9-M		SWITCH/DECAL-MEMBRANE	N/A	014887F
10-M		CONTROL BEZEL COVER	N/A	014888F
11-M		LINE CORD	011609F	011609F
12-M	*	ROLL-OUT SAFETY SWITCH	005899F	005899F
13-M		TOUCH-UP PAINT		
		COOL DARK GRAY	750256	750256
		WARM DARK GRAY	750258	750258
PILOT				
1-P	*	PILOT NAT.	002003F	002003F
	*	PILOT PRO.	002003F	002003F
2-P		PILOT ORIFICE NAT.	003903F	003903F
		PILOT ORIFICE PRO.	004308F	004308F
3-P		PILOT MOUNTING BRACKET	014889F	014889F
4-P		PILOT TUBE	004078F	004078F
5-P		HI TENSION WIRE W/PILOT ELECTRODE	007864F	007864F
REFRACTORY				
1-R		REFRACTORY KIT	014890F	014891F
SHEET METAL				
1-S		JACKET TOP	014892F	014893F
2-S		JACKET LEFT	014894F	018895F
3-S		JACKET RIGHT	014896F	014897F
4-S		JACKET UPPER FRONT	014898F	014898F
5-S		JACKET LOWER REAR	014899F	014899F
6-S		FLUE COLLECTOR	014900F	014901F
7-S		DOOR PANEL		
		RAYPAK	014902F	014902F
		RHEEM	014903F	014903F
		RUUD	014902F	014902F
8-S		ACCESS PANELS	014904F	014904F
9-S		CONTROL PANEL		
		ANALOG	014905F	N/A
		DIGITAL	N/A	014906F
10-S		CONTROL COVER		
		ANALOG	014778	N/A
		DIGITAL	N/A	N/A
VENTING				
1-V		STACKLESS TOP (OUTDOOR)	014907F	014908F
2-V		ACCESS PANEL (HOT)	014909F	014909F
3-V		DRAFTHOOD W/ADAPTER (INDOOR)	014357	014358
	*	OUTDOOR STACK W/ADAPTER (OUTDOOR)	014718	014719
4-V		STACK	N/A	N/A
5-V		STACK ADAPTER	014910F	014911F
CONVERSION KITS**				
For altitudes over 2,000 feet above sea level, consult factory.				
		NATURAL TO PROPANE	014914F	014915F
		PROPANE TO NATURAL	014918F	014919F
		NATURAL TO PROPANE		
		COPPER HEAT EXCHANGER	014914F	014915F
		CUPRO NICKEL HEAT EXCHANGER	N/A	N/A
		PROPANE TO NATURAL		
		COPPER HEAT EXCHANGER	014918F	014919F
		CUPRO NICKEL HEAT EXCHANGER	N/A	N/A

** GAS CONVERSIONS ARE TO BE DONE ONLY BY A QUALIFIED AGENCY.

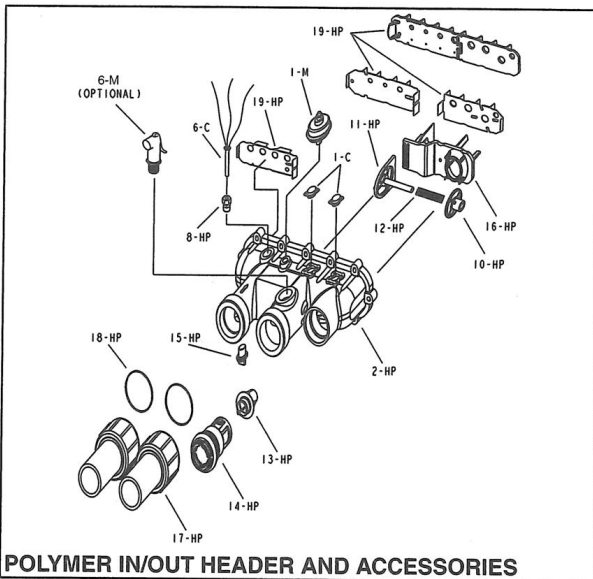
* DENOTES STOCK ITEMS -PRICING ON PAGE 94



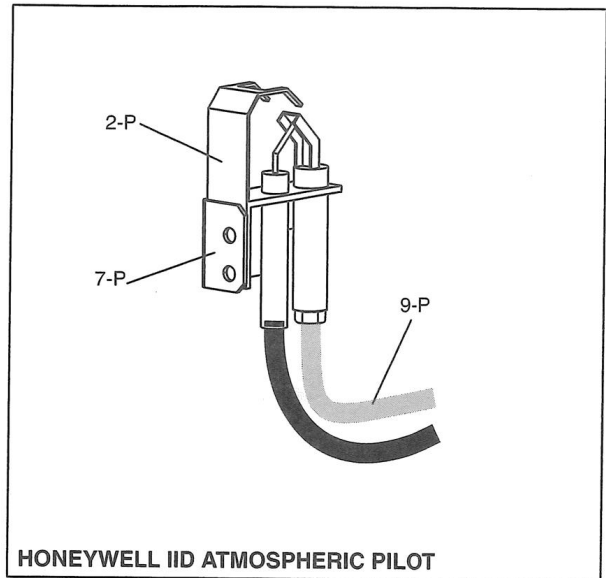
Reference
IPL 9100.56



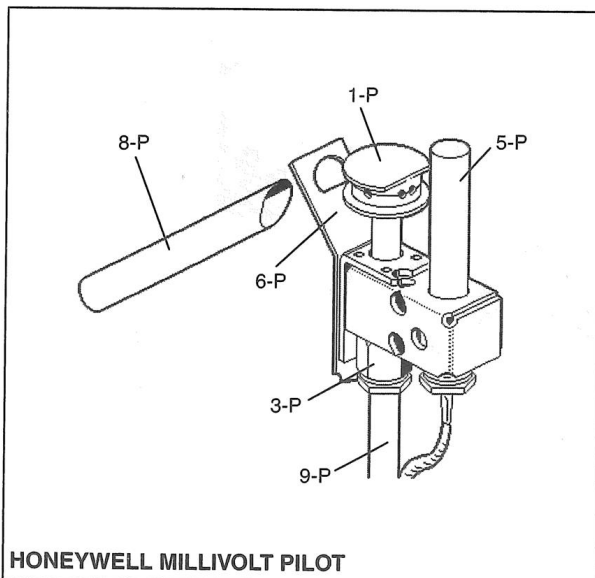
▲ FOR UNITS WITH ASME METAL HEADERS ▲



POLYMER IN/OUT HEADER AND ACCESSORIES



HONEYWELL IID ATMOSPHERIC PILOT



HONEYWELL MILLIVOLT PILOT



REF. #	*IF STOCK	DESCRIPTION	206A	266A	336A	406A
BURNER TRAY						
1-B		BURNER TRAY W/BURNERS (SEA LEVEL)*	010391F	010392F	010393F	010394F
		BURNER TRAY W/O BURNERS (SEA LEVEL)*	010395F	010396F	010397F	010398F
		BURNER TRAY W/GAS VALVE NAT MILLIVOLT	010399F	010400F	010401F	010402F
		BURNER TRAY W/GAS VALVE PRO MILLIVOLT	010403F	010404F	010405F	010406F
		BURNER TRAY W/GAS VALVE NAT IID	010407F	010408F	010409F	010410F
		BURNER TRAY W/GAS VALVE PRO IID	010411F	010412F	010413F	010414F
2-B		BURNER SPACE/HOLD DOWN KIT	010415F	010416F	010417F	010418F
3-B		BURNER	301210/13	301210/18	301210/22	301210/27
4-B		BURNER ORIFICE NAT #50 (SEA LEVEL)*	350079F/13	350079F/18	350079F/22	350079E/27
		BURNER ORIFICE PRO #57 (SEA LEVEL)*	350083F/13	350083F/18	350083F/22	350083F/27
5-B		BURNER TRAY W/O MANIFOLD W/O BURNERS	010421F	010422F	010423F	010424F
CONTROLS						
1-C		THERMOSTAT AUTO RESET 135 DEG SURFACE MOUNT	006725F	006725F	006725F	006725F
2-C		AGS 135 DEG (AUTO GAS SHUT-OFF) - RED EPOXY	600892B	600892B	600892B	600892B
3-C		HIGH LIMIT 140 DEG - BLACK EPOXY	600893B	600893B	600893B	600893B
4-C		P.C. BOARD/CONTROL	013464F	013464F	013464F	013464F
7-C		LCD DISPLAY				
		UNITS MANUFACTURED PRIOR TO 5/2011	N/A	N/A	N/A	N/A
		UNITS MANUFACTURED FROM 5/2011	013640F	013640F	013640F	013640F
8-C		FUSE 5 AMP	013733F	013733F	013733F	013733F
5-C	*	THERMOSTAT CONTROL MV UNITS MECHANICAL	003346F	003346F	003346F	003346F
6-C	*	TEMPERATURE SENSOR IID UNITS	009577F	009577F	009577F	009577F
GAS VALVE						
1-G		COMBINATION VALVE - NAT. MV	003898F	003898F	003898F	003898F
		COMBINATION VALVE - PRO. MV	003899F	003899F	003899F	003899F
	*	COMBINATION VALVE - NAT. IID	003900F	003900F	003900F	003900F
	*	COMBINATION VALVE - PRO. IID	004306F	004306F	004306F	004306F
HEAT EXCHANGER - POLYMER						
1-HP		HEAT EXCHANGE ASSY COPPER ***	010043F	010044F	010045F	010046F
		HEAT EXCHANGE ASSY CUPRO NICKEL ***				
		UNITS MANUFACTURED PRIOR TO 7/2013	010356F	010357F	010358F	010359F
		UNITS MANUFACTURED FROM 7/2013	014926F	014927F	014928F	014929F
2-HP		INLET/OUTLET HEADER COMPLETE	006827F	006827F	006827F	006827F
		INLET/OUTLET HEADER (INCLUDES 6-HP)	014648F	014648F	014648F	014648F
3-HP		RETURN HEADER (INCLUDES 6-HP)	015095F	015095F	015095F	015095F
4-HP		TUBE BUNDLE COPPER ** & ***	010059F	010060F	010061F	010062F
		TUBE BUNDLE CUPRO NICKEL ** & ***				
		UNITS MANUFACTURED PRIOR TO 7/2013	010364F	010365F	010366F	010367F
		UNITS MANUFACTURED FROM 7/2013	014930F	014931F	014932F	014933F
5-HP		BAFFLE (COPPER HEAT EXCHANGER)	010038F	005261F	010040F	010041F
		BAFFLE (CUPRO NICKEL HEAT EXCHANGER)				
		UNITS MANUFACTURED PRIOR TO 6/2013	010038F	005261F	010040F	010041F
		UNITS MANUFACTURED FROM 6/2013	014934F	014935F	014936F	014937F
6-HP		FLANGE NUT KIT	008259F	008259F	008259F	008259F
7-HP		O-RING GASKET (2)	006713F	006713F	006713F	006713F

*FOR INSTALLATION AT OVR 2,000 FEET ABOVE SEA LEVEL, DERATE 4% PER 1,000 FEET ABOVE SEA LEVEL. Refer to the heater's rating plate.

**WARNING: The Hydraulic conditions of water chemistry that caused the tube bundle to fail have very likely also damaged the bypass valve and Unitherm Governor. We recommend you replace the Unitherm Governor and inspect the bypass assembly. Failure to do so could cause premature failure of this replacement part.

***WARNING: Copper and Cupro Nickel heat exchanger and tube bundles are not interchangeable. Units with suffix "C" must use copper replacement parts and units with suffix "X" must use cupro nickel replacement parts.

**REPLACEMENT BURNER TRAYS ARE BUILT FOR SEA LEVEL, NATURAL GAS APPLICATIONS UNLESS OTHERWISE SPECIFIED AT THE TIME THE ORDER IS PLACED.

* DENOTES STOCK ITEMS -PRICING ON PAGE 94

HEATER PARTS 11-1-04 THRU CURRENT CONTINUED ON NEXT PAGE

REF. #	*IF STOCK	DESCRIPTION	206A	266A	336A	406A
HEAT EXCHANGER - POLYMER - continued						
8-HP		SENSOR ADAPTER DIGITAL ELECTRONIC	006714F	006714F	006714F	006714F
		SENSOR WELL MILLIVOLT	006805F	006805F	006805F	006805F
9-HP		BYPASS KIT	006715F	006715F	006715F	006715F
10-HP		BYPASS VALVE	006716F	006716F	006716F	006716F
11-HP		BYPASS DAM/SHAFT	006717F	006717F	006717F	006717F
12-HP		BYPASS SPRING (ALL SIZES INCLUDED)	006718F	006718F	006718F	006718F
13-HP	*	UNITHERM GOVERNOR	006719F	006719F	006719F	006719F
14-HP		UNITHERM GOVERNOR PLUG	006720F	006720F	006720F	006720F
15-HP		DRAIN PLUG	006721F	006721F	006721F	006721F
16-HP		INLET/OUTLET HEADER DAM	N/A	N/A	N/A	N/A
			USE 19-HP	USE 19-HP	USE 19-HP	USE 19-HP
17-HP		2" PVC CONNECTOR & NUT (2)	006723F	006723F	006723F	006723F
18-HP		O-RING (2)	006724F	006724F	006724F	006724F
19-HP		INLET/OUTLET HEADER BAFFLE W/HEADER DAM	006826F	006826F	006826F	006826F
HEAT EXCHANGER - METAL						
1-HM		HEAT EXCHANGE ASSY COPPER ASME CI	010051F	006727F	010053F	010054F
		HEAT EXCHANGE ASSY CUPRO NICKEL ASME CI	010360F	010361F	010362F	010363F
2-HM		INLET/OUTLET HEADER ASME CI COMPLETE	006730F	006730F	006730F	006730F
		INLET/OUTLET HEADER ASME CI	012319F	012319F	012319F	012319F
15-HM		INLET & OUTLET FLANGE	003766F	003766F	003766F	003766F
16-HM		FLANGE GASKET 1 1/2" CONNECTIONS	062236B	062236B	062236B	062236B
		FLANGE GASKET 2" CONNECTIONS	800080B	800080B	800080B	800080B
3-HM		RETURN HEADER ASME CI	006731F	006731F	006731F	006731F
4-HM		TUBE BUNDLE COPPER ASME*	010055F	006733F	010057F	010058F
		TUBE BUNDLE CUPRO NICKEL ASME*	010368F	010369F	010370F	010371F
5-HM		BAFFLE	010038F	005261F	010040F	010041F
6-HM		STUD BOLT KIT	007870F	007870F	007870F	007870F
7-HM		HEADER GASKET (9)	800014B	800014B	800014B	800014B
8-HM		UNITHERM GOVERNOR	062234B	062234B	062234B	062234B
9-HM		U.G. RETAINER SPRING	013792F	013792F	013792F	013792F
18-HM		U.G. PLUG	013738F	013738F	013738F	013738F
10-HM		BYPASS VALVE	062235B	062235B	062235B	062235B
11-HM		BYPASS SPRING	850252	013794F	013794F	013794F
12-HM		DRAIN VALVE	013793F	013793F	013793F	013793F
13-HM		SENSOR WELL	003765F	003765F	003765F	003765F
14-HM		WELL RETAINING CLIP	300203	300203	300203	300203
17-HM		REAR DRAIN PLUG & COVER	005264F	005264F	005264F	005264F
19-HM		ADAPTER CPVC 2"	005393F	005393F	005393F	005393F
CONTROL BOX						
1-J	*	TRANSFORMER 120/240/2V	006736F	006736F	006736F	006736F
2-J		ROCKER SWITCH	009493F	009493F	009493F	009493F

**WARNING: The Hydraulic conditions of water chemistry that caused the tube bundle to fail have very likely also damaged the bypass valve and Unitherm Governor. We recommend you replace the Unitherm Governor and inspect the bypass assembly. Failure to do so could cause premature failure of this replacement part.

* DENOTES STOCK ITEMS -PRICING ON PAGE 94

HEATER PARTS 11-1-04 THRU CURRENT CONTINUED ON NEXT PAGE



REF. #	*IF STOCK	DESCRIPTION	206A	266A	336A	406A
MISCELLANEOUS COMPONENTS						
1-M	*	PRESSURE SWITCH 1.75 PSI	006737F	006737F	006737F	006737F
		PRESSURE SWITCH 11 PSI <i>SPECIAL-SPECIAL-SEE WATER PRESSURE SWITCH ADJ.</i>	009133F	009133F	009133F	009133F
2-M		THERMOSTAT KNOB	009499F	009499F	009499F	009499F
3-M		THERMOSTAT SHAFT MV	800307	800307	800307	800307
4-M		KNOBSTOP	006886F	006886F	006886F	006886F
5-M	*	THERMAL FUSE	005899F	005899F	005899F	005899F
6-M		PRV 125 PSI (OPTIONAL)	008091F	007224F	007224F	007224F
7-M		DELIMING KIT	052871F	052871F	052871F	052871F
8-M		WIRE/HARNESS MILLIVOLT	010386F	010386F	010386F	010386F
		WIRE/HARNESS IID	009490F	009490F	009490F	009490F
9-M		CONTROL BEZEL MV (INLCUDES DIAL DECAL)	009489F	009489F	009489F	009489F
10-M		DIAL DECAL MV	009858F	009858F	009858F	009858F
11-M		CONTROL BEZEL (INCLUDES SWITCH DECAL)				
		UNITS MANUFACTURED PRIOR TO 5/2011	009491F	009491F	009491F	009491F
		UNITS MANUFACTURED FROM 5/2011	013491F	013491F	013491F	013491F
12-M		SWITCH/DECAL - MEMBRANE				
		UNITS MANUFACTURED PRIOR TO 5/2011	009492F	009492F	009492F	009492F
		UNITS MANUFACTURED FROM 5/2011	013492F	013492F	013492F	013492F
13-M		CONTROL BEZEL COVER	009487F	009487F	009487F	009487F
14-M		GASKET INSULATION (SWAYBRACE & JACKET TOP)	010350F	010350F	010350F	010350F
15-M		TOUCH-UP PAINT				
		GREEN	750125	750125	750125	750125
		DARK GRAY	750126	750126	750126	750126
		COOL DARK GRAY	750256	750256	750256	750256
		WARM DARK GRAY	750258	750258	750258	750258
16-M		TIE DOWN BRACKET (OPTIONAL)	011636	011636	011636	011636
19-M		FLOW SWITCH	007142F	007142F	007142F	007142F
20-M		FLOW SWITCH PADDLE	010026F	010026F	010026F	010026F
21-M		T & P GAUGE	014647F	014647F	014647F	014647F
22-M		2" CPVC CONNECTOR (OUTLET PLUMBING)				
		NPT CONNECTION	013795F	013795F	013795F	013795F
		FLANGED CONNECTION	015883F	015883F	015883F	015883F
23-M		2" CPVC CONNECTOR & NUT (2)	006723F	006723F	006723F	006723F
24-M		O-RING (2)	006724F	006724F	006724F	006724F
18-M		PC BOARD SHIELD (OPTIONAL)	015557F	015557F	015557F	015557F
PILOT						
1-P	*	PILOT NAT. MV	600525B	600525B	600525B	600525B
		PILOT PRO. MV	600575B	600575B	600575B	600575B
2-P	*	PILOT NAT & PRO IID	002003F	002003F	002003F	002003F
3-P		PILOT ORIFICE NAT. MV	003901F	003901F	003901F	003901F
		PILOT ORIFICE PRO. MV	003902F	003902F	003902F	003902F
4-P		PILOT ORIFICE NAT. IID .020	003903F	00903F	003903F	003903F
		PILOT ORIFICE PRO. IID .012	004308F	004308F	004308F	004308F
5-P	*	PILOT GENERATOR MV	600019B	600019B	600019B	600019B
6-P		PILOT MTG BRACKET MV	010352F	010352F	010352F	010352F
7-P		PILOT MOUNTING BRACKET IID	306692	306692	306692	306692
8-P		LIGHTER TUBE (MV UNITS ONLY)	062996	062996	062996	062996
9-P		PILOT TUBE	004078F	004078F	004078F	004078F
10-P		HI TENSION WIRE IID WITH PILOT ELECTRODE	N/A	N/A	N/A	N/A
11-P		PILOT SHIELD	010351F	010351F	010351F	010351F

* DENOTES STOCK ITEMS -PRICING ON PAGE 94

HEATER PARTS 11-1-04 THRU CURRENT CONTINUED ON NEXT PAGE

REF. #	*IF STOCK	DESCRIPTION	206A	266A	336A	406A
REFRACTORY						
1-R		REFRACTORY COMMON LT & RT	010088F	010088F	010088F	010088F
2-R		REFRACTORY UNCOMMON (FRONT & REAR)	010089F	010090F	010091F	010092F
3-R		REFRACTORY RETAINER KIT	010387F	010388F	010389F	010390F
SHEETMETAL						
1-S		JACKET TOP (LOUVERED)	010047F	010048F	010049F	010050F
2-S		FLUE COLLECTOR (UNITS WITH POLYMER HEADER)	010071F	010072F	010073F	010074F
		FLUE COLLECTOR (UNITS WITH METAL HEADER)	010075F	010076F	010077F	010078F
3-S		DOOR ASSY				
		RAYPAK GREEN	010378F	010379F	010380F	010381F
		COOL DARK & WARM DARK GRAY	013859F	013860F	013861F	013862F
		RHEEM GREEN	010382F	010383F	010384F	010385F
		COOL DARK & WARM DARK GRAY	013863F	013864F	013865F	013866F
		RUUD GREEN	010382F	010383F	010384F	010385F
		WARM DARK GRAY (UNITS MFG PRIOR TO 9/2012)	013867F	013868F	013869F	013870F
		COOL DARK & WARM DARK GRAY (UNITS MFG AFTER 9/2012)	013859F	013860F	013861F	013862F
14-S		SCREW & RETAINER	006744F	006744F	006744F	006744F
4-S		ACCESS PANEL SET (3 PCS UNITS WITH POLYMER HEADER)	010311F	010311F	010311F	010311F
		ACCESS PANEL SET (3 PCS UNITS WITH METAL HEATER)	010312F	010312F	010312F	010312F
5-S		JACKET SIDE PANEL RIGHT	010376F	010376F	010376F	010376F
6-S		JACKET SIDE PANEL LEFT	010377F	010377F	010377F	010377F
7-S		JACKET REAR PANEL (2 PCS)	010372F	010373F	010374F	010375F
8-S		POOLSTAT COVER/LOCK	009505	009505	009505	009505
9-S		HIGH LIMIT COVER	010319F	010319F	010319F	010319F
10-S		BASE HEAT SHIELD	010320F	010320F	010320F	010320F
11-S		UP FRONT CONTROL PANEL GREEN	010321F	010322F	010323F	010324F
		COOL DARK GRAY	013887F	013888F	013889F	013890F
		WARM DARK GRAY	013891F	013892F	013893F	013894F
12-S		HIGH LIMIT SHIELD	010342F	010342F	010342F	010342F
13-S		WEATHER SHIELD	010325F	010326F	010327F	010328F
VENTING						
1-V	*	INDOOR STACK KIT (INCLUDES INNER ADAPTER PANEL)	009838	009839	009840	009841
		OUTDOOR STACK KIT (INCLUDES INNER ADAPTER PANEL)	009834	009835	009836	009837
2-V		STACK ADAPTER	010330F	010331F	010332F	010333F
4-V		OUTER STACK ADAPTER	011461F	011462F	011463F	0011464F
3-V		"PAGODA" TOP GREEN	010334	010335	010336	010337
		COOL DARK GRAY	013883F	013884F	013885F	013886F
ATMOSPHERIC CONVERSION KITS*						
GAS CONVERSIONS						
		NAT. TO PRO MV PILOT	004690B	004690B	004692B	004692B
		PRO. TO NAT. MV PILOT	010419F	010419F	010420F	010420F
		NAT. TO PRO. IID PILOT	**	**	**	**
		PRO. TO NAT. IID PILOT	**	**	**	**

*GAS CONVERSIONS ARE TO BE DONE ONLY BY A QUALIFIED AGENCY.

**CONVERSION MUST BE MADE WITH COMPLETE BURNER TRAY AND GAS VALVE (SEE ITEM 1-B.)

* DENOTES STOCK ITEMS -PRICING ON PAGE 94

STOCK ITEMS PRICING

**RAYPAK PARTS
(PAGES 83-94)**

PART NO.	DESCRIPTION
001802F	Element
002003F	Pilot Nat. IID and Pilot Pro. IID
003346F	Thermostat Control MV Units Mechanical
003900F 004306F	Combination Valve - Nat. IID Combination Valve - Pro. IID
005899F	Thermal Fuse 206A - 406A (Rollout)
006719F	Unitherm Governor 110 for 206A to 406A
006736F	Transformer for 156A to 406A
006737F	Pressure Switch (1998 thru Current)
009577F	Temp Sensor 110 for 206A to 406A
011605F	Transformer for 106A
011585F	Analog Thermostat Control for 106A
014718 014719	High Wind Top for 106A Heater High Wind Top for 156A Heater
014867F 014868F	Gas Valve - Natural for 106A/156A Gas Valve - Propane for 106A/156A
062237B	Pressure Switch
600019B	Pilot Generator MV
600525B	Pilot Nat. MV

S.R.SMITH

*IF STOCK	PART NO.	DESCRIPTION
*	60-701	Ladder Bolts f/stainless tread – set = 4
*	60-703	Ladder Bolts f/plastic tread – set = 4
*	A42077-0	Replacement blow mold tread (FROST)
*	LTDF-101	Plastic ladder tread – only
*	LTDF-103	Stainless steel ladder tread – only
*	WRB-100A	Rubber bumper
*	BRB-700-EX	X-pand & lock bumper
*	36630	Slide water tube – 14 ft.
*	36631	Spray kit for pool slide

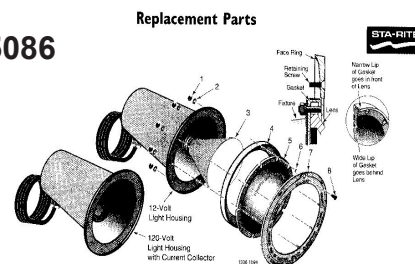
STENNER PUMP PARTS



MCCP202	#2 Pump Tube Assy.
MCCP203	#3 Pump Tube Assy.
MCCP205	#5 Pump Tube Assy.
QP252-1	#2 Pump Head w/Pump Tube & Ferrules
QP255-1	#5 Pump Head w/Pump Tube & Ferrules
QP252K	#2 Pump Head Service Kit (Pump Tube, Roller Assy., Latches, Nuts & Ferrules)
QP255K	#5 Pump Head Service Kit (Pump Tube, Roller Assy., Latches, Nuts & Ferrules)
QP500-4	Roller Assembly
FSK100	Feed Rate Service Kit
MCAK100	1/4" Connecting Nut
MCAK200	1/4" Ferrule
MCAK300	Injection Fitting 1/4" with Nut & Ferrule
AK4100W	1/4" White Tubing
MCADPTR	Connecting Nut 3/8" with Adapter
MANUT00	3/8" Connecting Nut for 3/8" Tubing
MCFC5H0	Stenner Variable Cam
ST114	Stenner Weighted Suction Strainer 1/4"
AK600	1/4" Flow Indicator
AK700	3/8" Flow Indicator
FC5L005	Index Pin Spring
FC5L002	Index Pin
PMBRPL2	Rotor Bearing & Rings

SWIMQUIP-STARITE LIGHT ALL MODELS 05082, 05086

REF. NO.	*IF STOCK	PART NO.	DESCRIPTION
4	*	05057-0118	Lens Gasket
5		05055-0003	Clear Lens



Sanygen

Visit our website: www.sanygen.net

DEALER COPY



Miami Products & Chemical Co. 520 Lonoke St. * Dayton, OH 45403
800-776-1313 937-253-8927 Fax 937-253-1559

Miami Products & Chemical Co. dba K-O-K Products (for Columbus, OH area)
K-O-K 740-548-0526 Fax 740-548-0336